

**Characteristics:**

Low Voltage DC Motors

**Specifications:**

Dimensions (in)	: Ø 0.8 X 0.6 X 1.0 in
Shaft Diameter (in)	: Ø 0.079 in
Input Voltage (V)	: 12.0 V DC
No Load Speed (rpm)	: 24647 rpm
No Load Current (A)	: 0.21 A
Nominal Speed (rpm)	: 19560 rpm
Nominal Torque (lb.in)	: 0.03 lb.in
Nominal Current (A)	: 1.08 A
Stall Torque (lb.in)	: 0.15 lb.in
Stall Current (A)	: 4.58 A
Maximum Output Power (hp)	: 0.01 hp
Maximum Efficiency (%)	: 52.69 %
Torque (lb.in) - Max Eff	: 0.03 lb.in
Speed (rpm) - Max Eff	: 19560 rpm
Operating Temperature Range (°F)	: 14 to 131 °F
Storage Temperature Range (°F)	: -4 to 176 °F
Electrical Connection	: Terminals

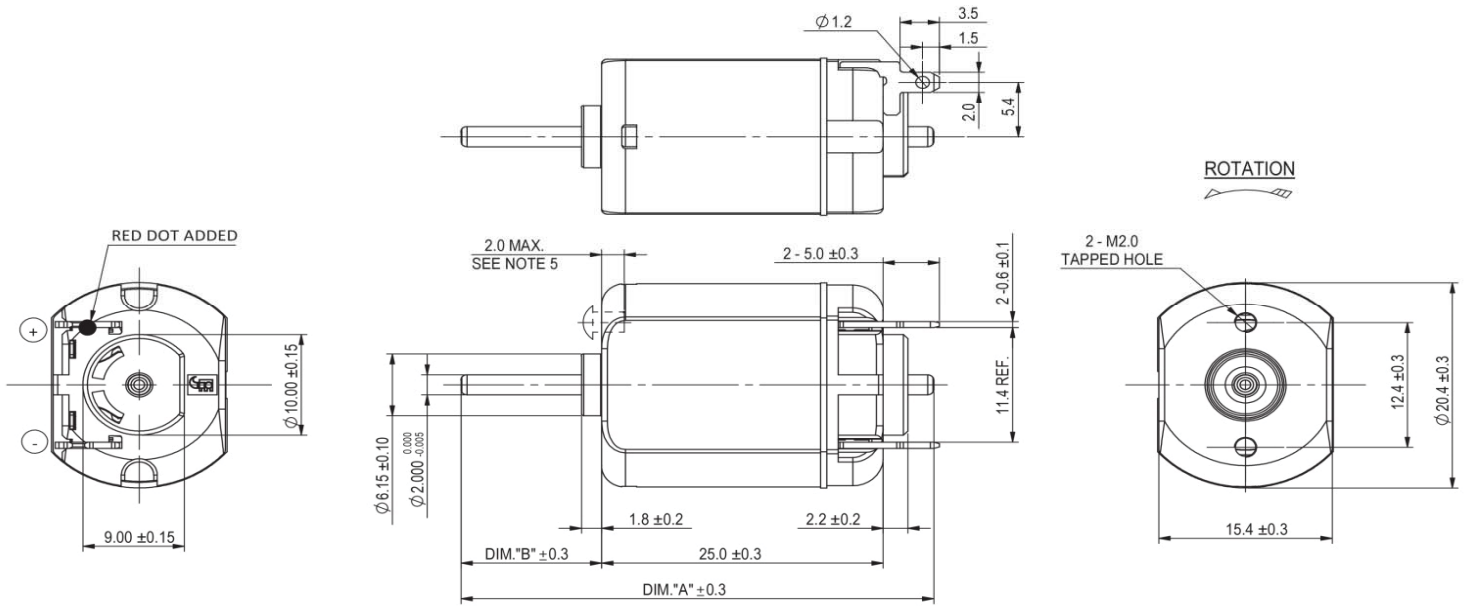
**Performance Data:**

	No Load	Stall	Max Efficiency	Max Power
<b>Current (A)</b>	0.21	4.58	1.08	2.42
<b>Efficiency (%)</b>	-	-	52.69	41.00
<b>Output Power (hp)</b>	-	-	0.01	0.01
<b>Speed (rpm)</b>	24647.00	-	19560.00	12093.00
<b>Torque (lb.in)</b>	-	0.15	0.03	0.08

**Application Examples:**

Door Locks, Actuators

Drawing:



Performance Curves:

