

Series Part Numbers

Connector Code -XX-	Description	P / N
AM	SMA Plug	S131AM-2450S
AH	SMA Plug Reverse Polarity	S131AH-2450S
AT	SMA Plug Reverse Thread	S131AT-2450S

Electrical Properties:

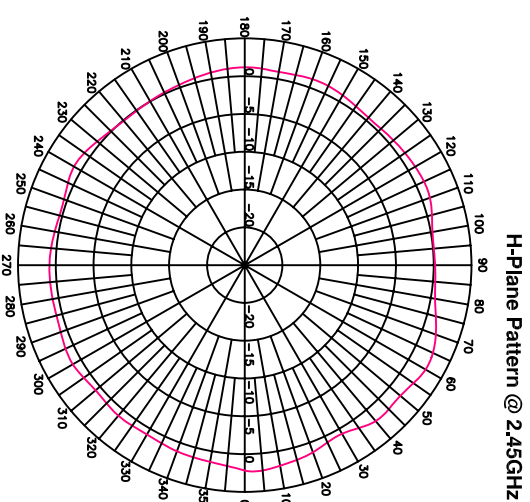
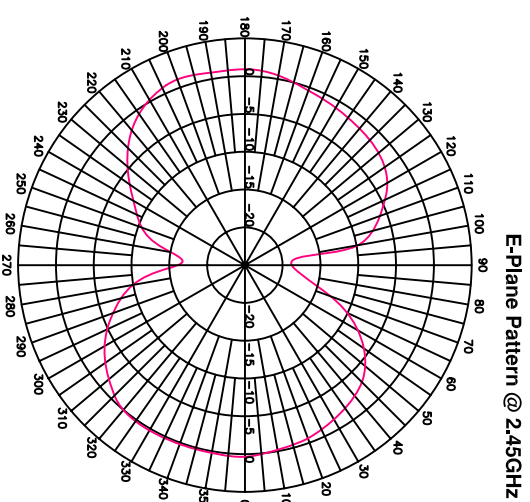
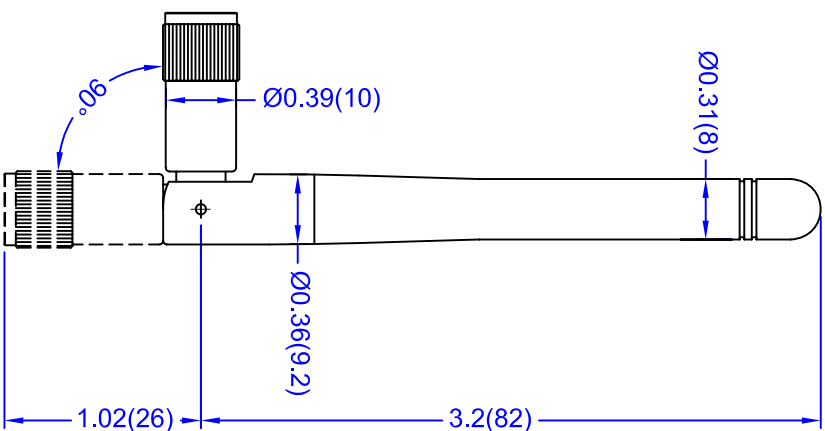
Frequency Range: 2.4~2.5 GHz
Impedance: 50Ω nominal
VSWR: <2.0:1
Gain: 2 dBi
Radiation: Omni
Polarization: Vertical
Wave: Half Wave Dipole

Mechanical Properties:

Connector: SMA type
Material: Polyurethane(Black)
Whip: Polycarbonate(Black)
Swivel Mechanism: Brass with black chrome plating
Connector: Brass with black chrome plating
Operation Temp.: -20°C to +65°C
Storage Temp.: -30°C to +75°C

This is a RoHS compliant product.

Connector Interface



TITLE	2.4GHz Swivel Antenna -131 Model		Rev. Date	SHEET
UNIT	DWG. NO.	S131XX-2450S	01/04/06	1 of 1
in.(mm)				
SCALE	1:1			

NEARSON