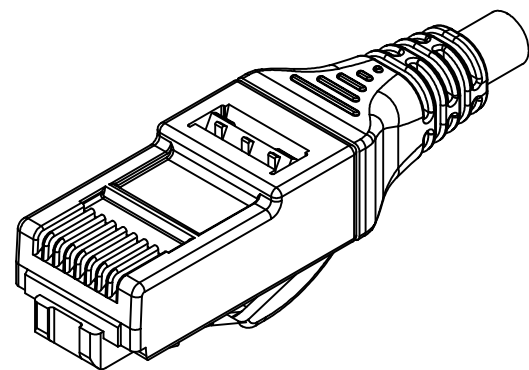
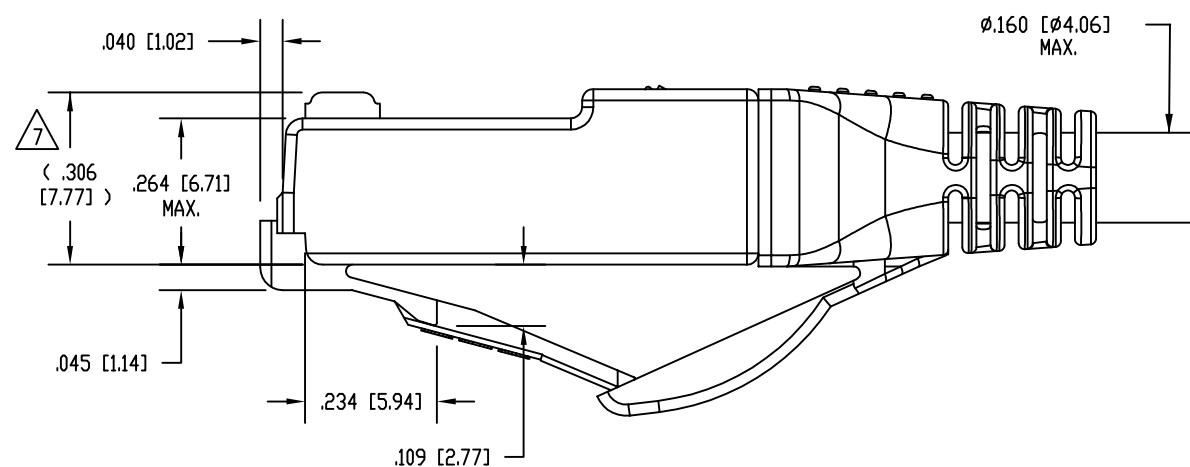
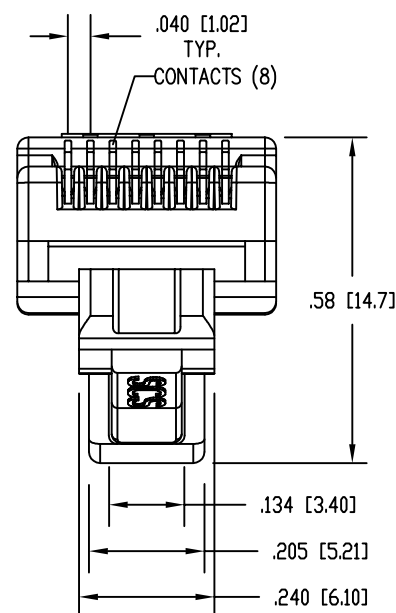
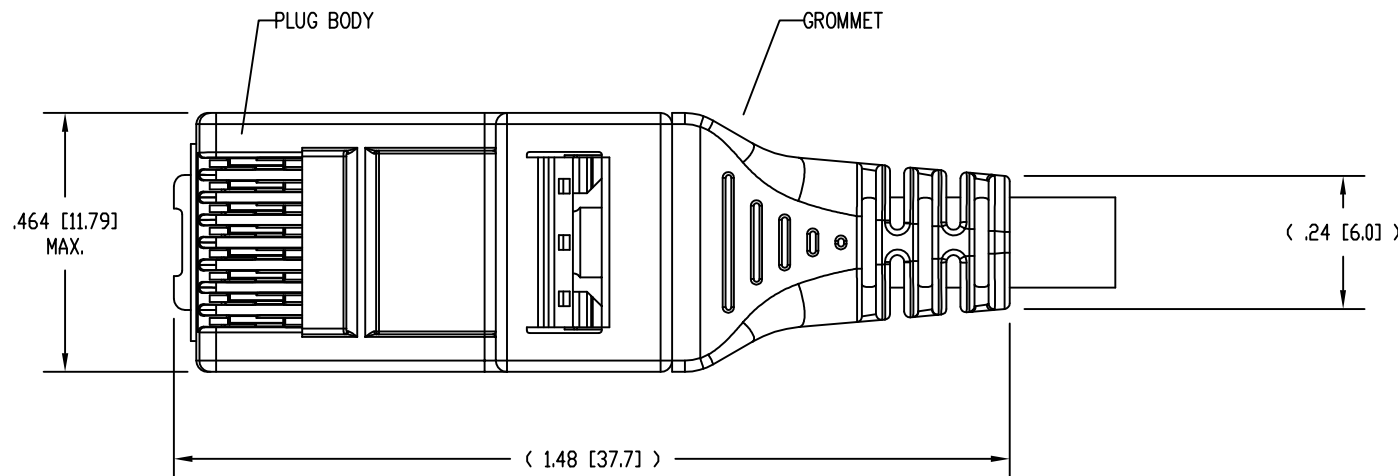


DATE	REV	ECN	APP'D. BY
10-6-15	A2	10435	TRM
2-19-16	A3	10557	TRM



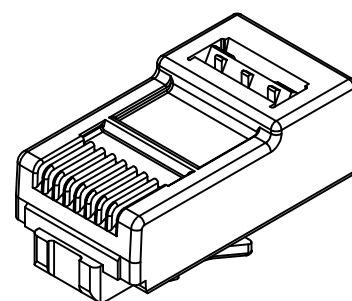
ISOMETRIC VIEW OF TERMINATED PLUG



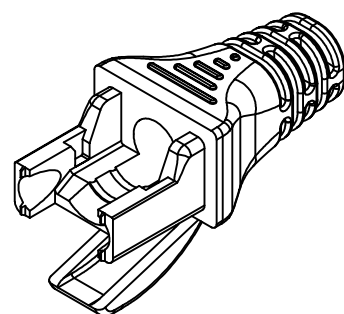
NOTES:

- PLUG KIT CONSISTS OF:  
 PRE-INSERTED PLUG BODY - 39100-310  
 LOAD BAR - 39100-883  
 WIRE ALIGNER - 39100-864  
 GROMMET - 39100-886
- MATERIALS:  
 PLUG BODY: CLEAR POLYCARBONATE, UL 94-V0  
 LOAD BAR: RED POLYCARBONATE, UL 94-V0  
 WIRE ALIGNER: CLEAR POLYCARBONATE, UL 94-V0  
 GROMMET: CLEAR POLYCARBONATE, UL 94-V0  
 CONTACTS: COPPER ALLOY, SELECTIVE GOLD PLATING
- FOR PRODUCT SPECIFICATION SEE PRO26-01.
- CONTACTS TERMINATE SOLID OR STRANDED CONDUCTORS BETWEEN .025 [0.64] TO .030 [0.76] OUTSIDE DIAMETER OF INSULATION.
- PRODUCT DESIGNED FOR CATEGORY 6 APPLICATIONS.
- DIMENSIONS AND TOLERANCES COMPLY WITH TIA-1096 STANDARD FORMERLY FCC/CFR 47, PART 68.

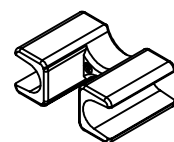
△ TERMINATED PLUG HEIGHT: .237 [6.02] ±.005 [0.13].



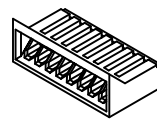
PRE-INSERTED PLUG BODY 39100-310



GROMMET 39100-886



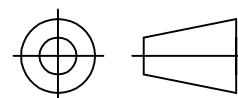
WIRE ALIGNER 39100-864



LOAD BAR 39100-883

50 MICRO-INCHES [1.27um]	SS-39100-039
CONTACT PLATING IN MATING AREA	PART NUMBER

THIRD ANGLE PROJECTION



1118 Susquehanna Trail South  
 Glen Rock, PA 17327-9199  
 (717) 235-7512

<http://www.stewartconnector.com>

DO NOT SCALE DRAWING  
 DRAWING IS SUBJECT TO CHANGE WITHOUT NOTICE

TITLE: 8 CONDUCTOR, 8 POSITION UNSHIELDED CAT 6 PLUG, WITH LOAD BAR, WIRE ALIGNER AND GROMMET, .160 MAX CABLE, SCS

DIMENSIONS: INCHES [METRIC]  
 UNLESS OTHERWISE SPECIFIED TOLERANCES ARE ±.005 [0.13] ANGLES ARE ± 1°

THIS DRAWING AND THE SUBJECT MATTER SHOWN THEREON ARE CONFIDENTIAL AND THE PROPRIETARY PROPERTY OF STEWART CONNECTOR AND SHALL NOT BE REPRODUCED, COPIED, OR USED IN ANY MANNER WITHOUT PRIOR WRITTEN CONSENT OF STEWART CONNECTOR. ONE OR MORE U.S. PATENTS MAY APPLY TO THIS PRODUCT. FOR DETAILS, PLEASE VISIT: [HTTP://BELFUSE.COM/STEWART/STEWART\\_PATENTS/](http://BELFUSE.COM/STEWART/STEWART_PATENTS/)

DRN BY:	SAW	DATE	3-17-14
APPD BY:	DHG	DATE	6-3-14
DWG NO.	CT390119	REV.	A3

SHEET NO. 1 OF 1

