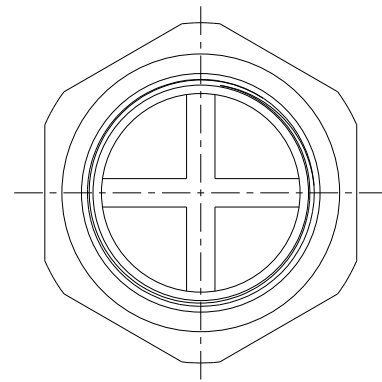
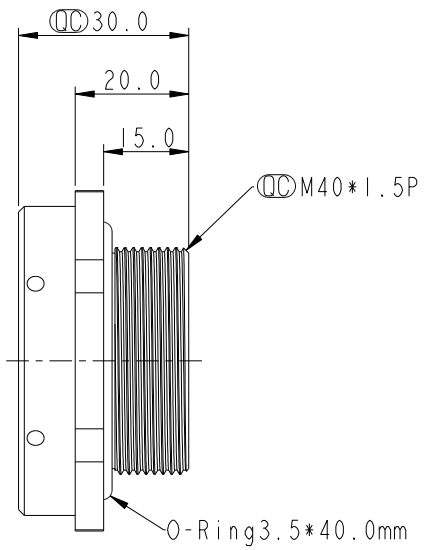
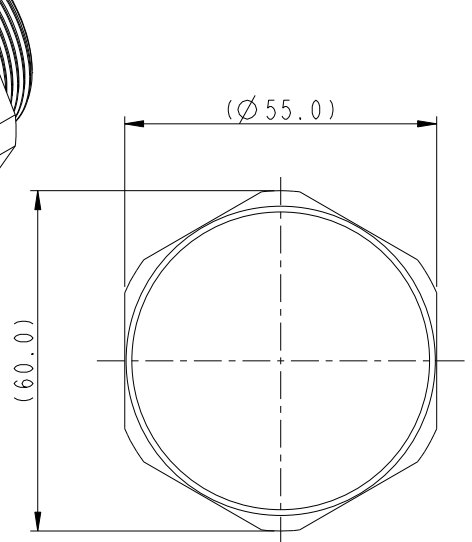
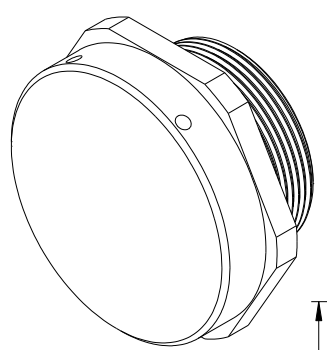
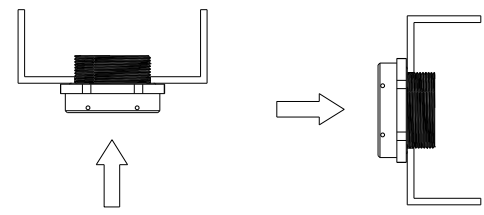


THIS DOCUMENT IS SUBJECT TO CHANGE WITHOUT NOTICE. IT IS CONFIDENTIAL AND A PROPERTY OF Amphenol LTW. DISCLOSURE TO THIRD PARTY HAS TO BE AUTHORIZED BY Amphenol LTW.

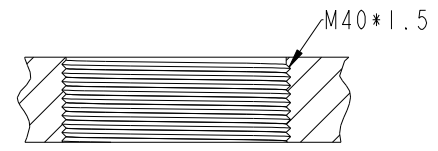
REV.	ECN NO.	DATE	SIGN	DESCRIPTION
A		2023-01-06	Kyle Huang	New Item



VENT-MS5NBK-08001
 S5: M40*1.5 BK: Black



Recommended
 installation orientation
 建議安裝朝向



Recommended Panel Cut-Out
 建議開孔尺寸

- Note:
- * \varnothing Important Dimension.
 - * Waterproof Rate: IP68(2m/1h), IP69K
 - * Body: Aluminum Alloy, Anodizing, Black
 - * Cap: Aluminum Alloy, Anodizing, Black
 - * Membrane: ePTFE
 - * O-Ring: Silicone, UL94V-0
 - * Air Permeability: >4500ml/min@70mbar
 - * Opening Pressure: 40±5KPa
 - * Recommended Torque: 3.5~5.5N.m

UNIT: mm		
TOLERANCE		
.X	±0.25	
.XX	±0.1	
.XXX	±0.05	
ANGLES	±1°	

TITLE VENT, M40, METAL, PIERCING TYPE			
SCALE 3:4	SIZE A4	SHEET 1 OF 1	
REV. A	WC-REV. .0	\varnothing : Inspection item	

Amphenol LTW
 安費諾亮泰企業股份有限公司

ITEM NO. VENT-MS5NBK-08001	DRAWN BY Kyle Huang	DATE 2023-01-06
DWG NO. VENT-MS5NBK-08001	CHECKED BY Fisher Wang	DATE 2023-01-06
CUSTOMER ALTW	APPROVED BY Max Yang	DATE 2023-01-06