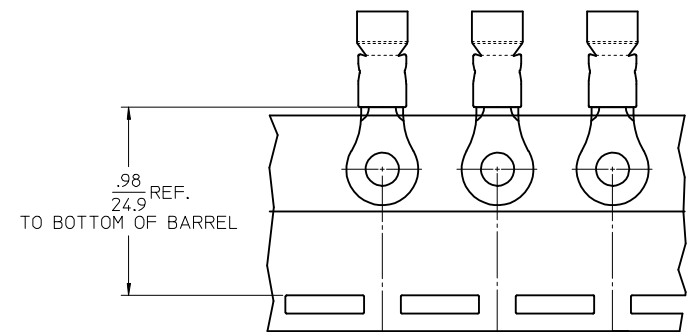
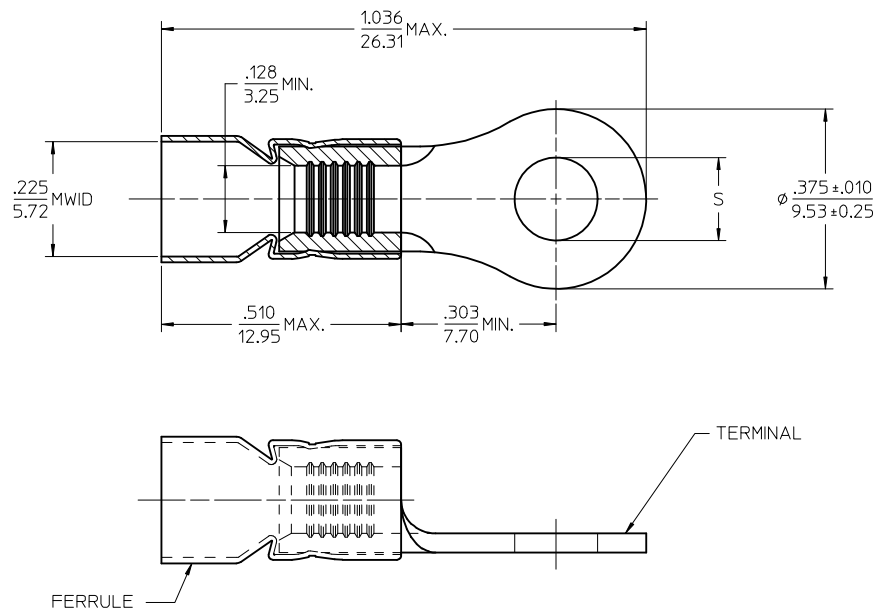


LOOSE PIECE BOX		TAPE MOUNTED PARTS		STUD SIZE	SPECIFICATION "S" ±.005/0.13	TERMINAL BASE METAL	TERMINAL FINISH/PLATING	FERRULE BASE METAL	FERRULE FINISH/PLATING
MATERIAL NUMBER	ENGINEERING NUMBER	MATERIAL NUMBER	ENGINEERING NUMBER						
190720094	C-428-06	---	---	6	.146/3.71	COPPER	TIN	BRASS	TIN
190720097	C-428-08	---	---	8	.173/4.39	COPPER	TIN	BRASS	TIN
190720100	C-428-10	190720101	C-428-10T	10	.198/5.03	COPPER	TIN	BRASS	TIN
190720142	C-428-10X	---	---	10	.198/5.03	COPPER	TIN	BRASS	TIN
192030236	C-T-428-08	---	---	8	.173/4.39	COPPER	NICKEL	BRASS	NICKEL
192030237	C-U-428-10	192030122	C-U-428-10T	10	.198/5.03	NICKEL	NONE	BRASS	NICKEL



SALES DRAWING

- NOTES:
1. MWID = MAXIMUM WIRE INSULATION.
 2. WIRE SIZE: 12-10 AWG, 4.0-6.0 MM²
 3. PARTS ARE ROHS COMPLIANT.

RELEASED EC NO: IPG2015-0860 DRAWING: JASO1 2014/11/06 CHKD: JMACNEIL 2014/11/06 APPR: JMACNEIL 2014/12/10	QUALITY SYMBOLS ▽=0 ▽=0	GENERAL TOLERANCES (UNLESS SPECIFIED)		DIMENSION STYLE IN/MM	SCALE 5:1	DESIGN UNITS INCH	THIRD ANGLE PROJECTION	
		4 PLACES ± --- ± --- 3 PLACES ± --- ± .005 2 PLACES ± .13 ± .01 1 PLACE ± 0.25 ± --- 0 PLACE ± ±	DRAWN BY DLM	DATE 2002/08/23	CHECKED BY JMACNEIL	DATE 2014/11/05	TITLE RING TONGUE TERMINALS 12-10 AWG, VIBRAKRIMP	
A	DRAFT WHERE APPLICABLE MUST REMAIN WITHIN DIMENSIONS	ANGULAR ±1/2°	MATERIAL NO. SEE CHART	APPROVED BY JMACNEIL	DATE 2014/12/10	DOCUMENT NO. SD-19072-003		SHEET NO. 1 OF 1
THIS DRAWING CONTAINS INFORMATION THAT IS PROPRIETARY TO MOLEX INCORPORATED AND SHOULD NOT BE USED WITHOUT WRITTEN PERMISSION								