

PART NUMBER DATA

NO. OF CIRCUITS	MATERIAL NO.	ENGINEERING NO.	COLOR	DIM "A"	DIM "B"
				MM	MM
1	397004301	MX-TLM-212R-01P-G12	GREEN	6.40	0.00
2	397004302	MX-TLM-212R-02P-G12	GREEN	11.40	5.00
3	397004303	MX-TLM-212R-03P-G12	GREEN	16.40	10.00
4	397004304	MX-TLM-212R-04P-G12	GREEN	21.40	15.00
5	397004305	MX-TLM-212R-05P-G12	GREEN	26.40	20.00
6	397004306	MX-TLM-212R-06P-G12	GREEN	31.40	25.00
7	397004307	MX-TLM-212R-07P-G12	GREEN	36.40	30.00
8	397004308	MX-TLM-212R-08P-G12	GREEN	41.40	35.00
9	397004309	MX-TLM-212R-09P-G12	GREEN	46.40	40.00
10	397004310	MX-TLM-212R-10P-G12	GREEN	51.40	45.00
11	397004311	MX-TLM-212R-11P-G12	GREEN	56.40	50.00
12	397004312	MX-TLM-212R-12P-G12	GREEN	61.40	55.00
13	397004313	MX-TLM-212R-13P-G12	GREEN	66.40	60.00
14	397004314	MX-TLM-212R-14P-G12	GREEN	71.40	65.00
15	397004315	MX-TLM-212R-15P-G12	GREEN	76.40	70.00
16	397004316	MX-TLM-212R-16P-G12	GREEN	81.40	75.00

MATERIALS

1. HOUSING	PA66 UL94 V-0
2. COVER	PA66 UL94 V-0
3. TERMINAL	TIN PLATED COPPER ALLOY
4. CLAMPING SPRING	STAINLESS STEEL

ELECTRICAL, MECHANICAL AND THERMAL RATINGS

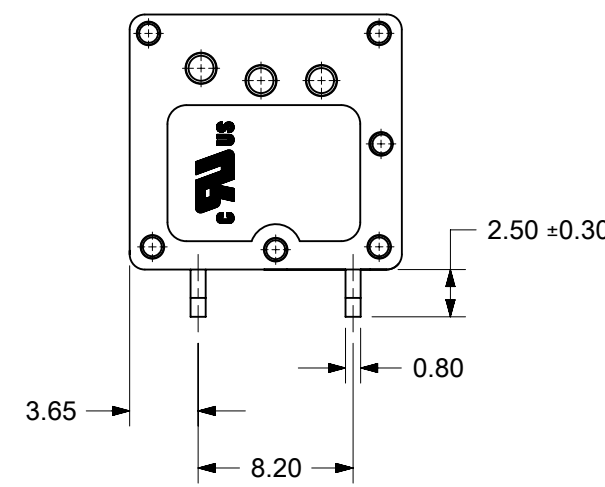
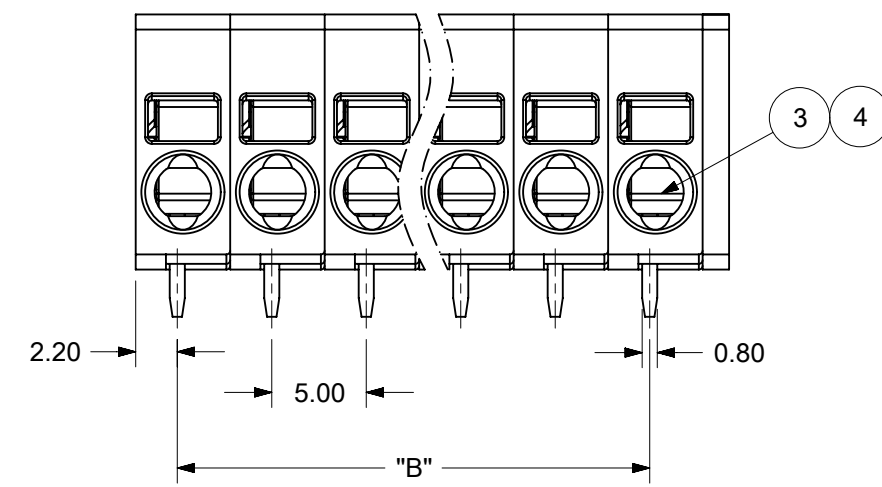
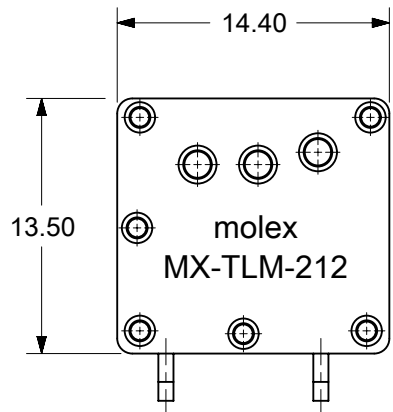
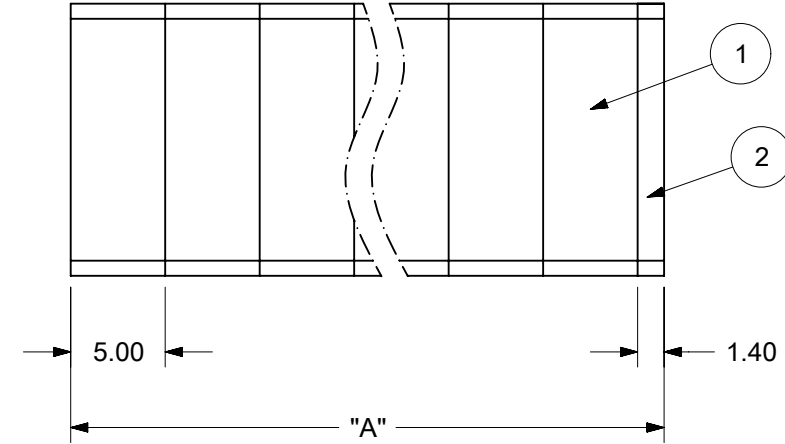
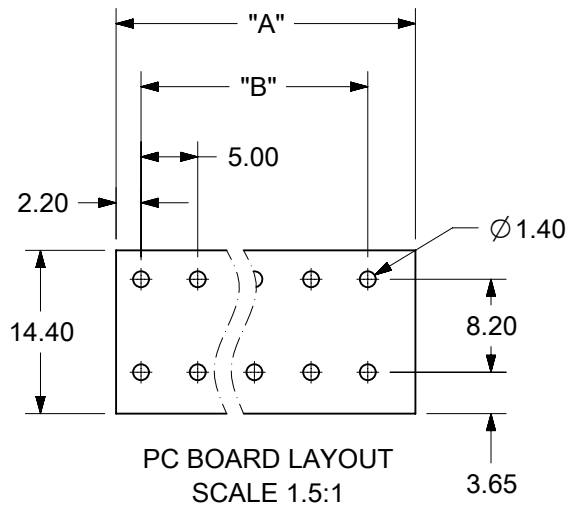
MAXIMUM VOLTAGE	300V (PER UL GROUP B & D)
MAXIMUM CURRENT	20A (PER UL GROUP B)
	10A (PER UL GROUP D)
WIRE RANGE	12-26 AWG (SOLID OR STRANDED)
INSULATION RESISTANCE	500MΩ OR MORE AT 500V DC
INSULATION WITHSTAND VOLTAGE	2200VAC PER 1 MINUTE
WIRE STRIP LENGTH	10.0mm
OPERATING TEMPERATURE	-40°C TO +115°C

Total Pitch Tolerances in mm

Total Pitch Tolerances in mm									Nominal dimension range in mm									
over	over	over	over	over	over	over	over	over	over	over	over	over	over	over	over	over	over	over
0	30	53	70	90	115	150	200	250	0	30	53	70	90	115	150	200	250	
to	to	to	to	to	to	to	to	to	to	to	to	to	to	to	to	to	to	
30	53	70	90	115	150	200	250	320	30	53	70	90	115	150	200	250	320	
±0.20	±0.25	±0.30	±0.35	±0.44	±0.55	±0.70	±0.85	±1.00	±0.25	±0.30	±0.35	±0.44	±0.55	±0.70	±0.80	±0.90	±1.20	

DOCUMENT STATUS	P1	RELEASE DATE	2021/12/09	17:27:47
-----------------	----	--------------	------------	----------

B



FUNCTIONAL SYMBOLS	THIS DRAWING CONTAINS INFORMATION THAT IS PROPRIETARY TO MOLEX ELECTRONIC TECHNOLOGIES, LLC AND SHOULD NOT BE USED WITHOUT WRITTEN PERMISSION		CURRENT REV DESC: ADDED 1 CIRCUIT PART AND MODIFIED DIMENSION "A"				
	DIMENSION UNITS	SCALE					
$\nabla = 0$ $\nabla = 0$ $\nabla = 0$	mm	2.5:1	GENERAL TOLERANCES (UNLESS SPECIFIED)		EC NO: 688309 DRWN: ABENJAMINLW 2021/12/08 CHKD: DACHAMMER 2021/12/08 APPR: JFMURPHY 2021/12/09		
ANGULAR TOL		± ---	4 PLACES ± ---				
DIVISIONAL SYMBOLS		3 PLACES ± ---	2 PLACES ± SEE CHART		PRODUCT CUSTOMER DRAWING DOCUMENT NUMBER: 397004302 DOC TYPE: PSD DOC PART: 000 REVISION: B		
		1 PLACE ± SEE CHART	0 PLACES ± ---				
DRAFT WHERE APPLICABLE MUST REMAIN WITHIN DIMENSIONS		THIRD ANGLE PROJECTION	DRAWING	SERIES	MATERIAL NUMBER	CUSTOMER	SHEET NUMBER
			B-SIZE	39700	SEE CHART	GENERAL MARKET	1 OF 1