

CIRCUIT SIZE	DIM. "A"	DIM. "B"	DIM. "C"	DIM. "D"	DIM. "E"
4	.17 (4.2)	.38 (9.6)	.535 (13.60)	.590 (15.00)	.685 (17.40)
**6	.33 (8.4)	.54 (13.8)	.701 (17.80)	.756 (19.20)	.850 (21.60)
10	.66 (16.8)	.87 (22.2)	1.031 (26.20)	1.087 (27.60)	1.181 (30.00)
14	.99 (25.2)	1.20 (30.6)	1.362 (34.60)	1.417 (36.00)	1.512 (38.40)
18	1.32 (33.6)	1.54 (39.0)	1.693 (43.00)	1.748 (44.40)	1.843 (46.80)
24	1.82 (46.2)	2.03 (51.6)	2.189 (55.60)	2.244 (57.00)	2.339 (59.40)

LEGEND

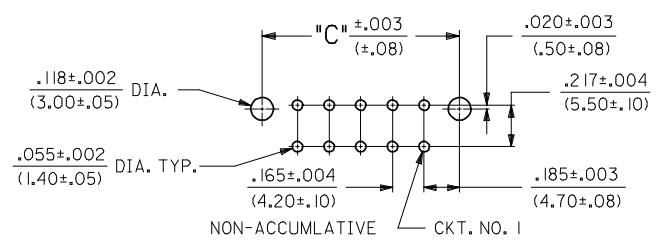
46099 - **11

BASE NUMBER

CIRCUIT SIZE

NOTES:

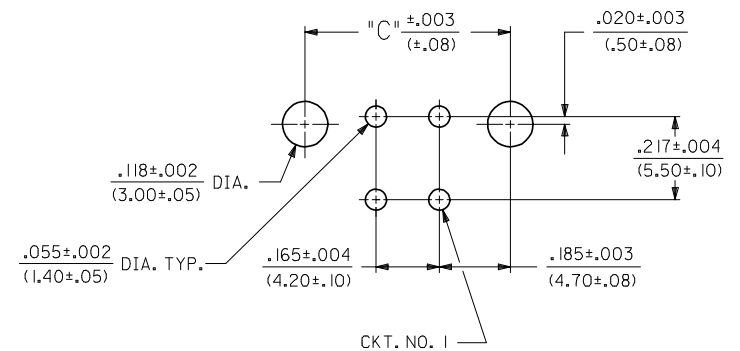
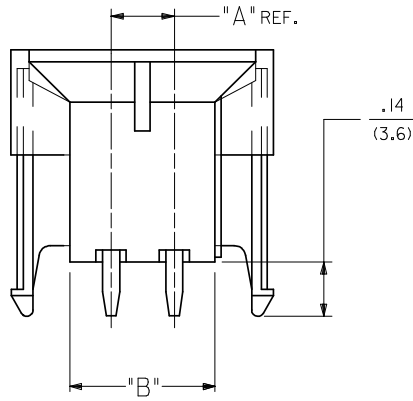
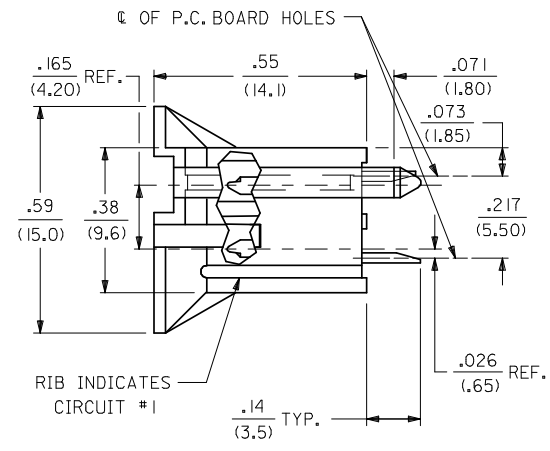
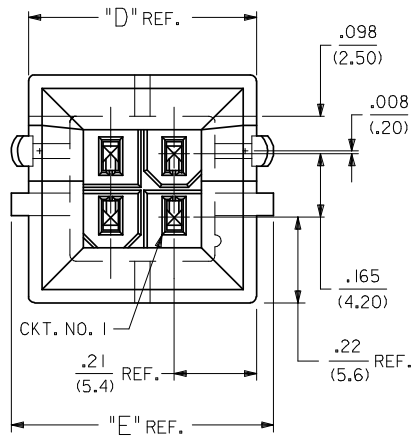
- MATERIAL: HOUSING: NYLON 6/6, U.L. 94V-0., COLOR: NATURAL
TERMINAL: COPPER ALLOY
 - TERMINAL PLATING:
.000002/(.00005) MIN. GOLD OVER .000030/(.00076)
MIN. PALLADIUM NICKEL IN THE CONTACT AREA.
.00100/(.00254) MIN. TIN IN CRIMP OVER
.00050/(.00127) MIN. NICKEL OVERALL.
 - PRODUCT SPECIFICATION: TBD
 - PACKAGING SPECIFICATION: TRAY PACKED PER PK-42440-001.
 - PARTS MATE WITH MINI-FIT RECEPTACLE SERIES 44516, 46101 AND 42474.
 - PART ALLOWS FOR UP TO .100/(2.54) MISALIGNMENT WITH MATING RECEPTACLE IN ANY DIRECTION.
 - PART IS DESIGNED IN METRIC.
 - CONNECTOR ASSEMBLIES ARE NOT TO BE MATED OR UNMATED WHILE CIRCUITS ARE ALIVE.
- **9. CKT. SIZE IS NOT TOOLED.
10. THIS PART CONFORMS TO CLASS 'B' REQUIREMENTS OF COSMETIC SPECIFICATION PS-45499-002.



RECOMMENDED HOLE LAYOUT FOR .070/(1.78) MAX. THICK P.C. BOARD

(SEE NOTE 7) (SCALE: 2X)

ADD PK SPEC EC NO: UCP2009-0135 DRWNG:GAVRILL 2008/07/22 CHKD:MKIPPER 2008/07/25 APPR:FSMITH 2008/07/28 REV DESCRIPTION	QUALITY SYMBOLS ▽=0 ▽=0	GENERAL TOLERANCES (UNLESS SPECIFIED)		DIMENSION STYLE IN/MM		SCALE ---	DESIGN UNITS METRIC	THIRD ANGLE PROJECTION	
		4 PLACES ± --- ± --- 3 PLACES ± --- ± .010 2 PLACES ± 0.25 ± .015 1 PLACE ± 0.38 ± --- ANGULAR ±1/2°	mm INCH ± --- ± --- ± .010 ± .015 ± 0.25 ± ---	DRAWN BY TGREGORI	DATE 2006/01/17	TITLE MINI-FIT VERTICAL BMI HEADER ASSEMBLY (HIGH CYCLE SERIES)		MOLEX INCORPORATED	
DRAFT WHERE APPLICABLE MUST REMAIN WITHIN DIMENSIONS		SEE CHART		MATERIAL NO. DOCUMENT NO.		SD-46099-001		THIS DRAWING CONTAINS INFORMATION THAT IS PROPRIETARY TO MOLEX INCORPORATED AND SHOULD NOT BE USED WITHOUT WRITTEN PERMISSION	



RECOMMENDED HOLE LAYOUT FOR .070/(1.78) MAX. THICK P.C. BOARD
(SEE NOTE 7)

SEE SHEET 1 EC NO: UCP2009-0135 DRWNG:GAVRILL 2008/07/22 CHKD:MKIPPER 2008/07/25 APPR:FSMITH 2008/07/28	QUALITY SYMBOLS ▽=0 ▽=0	GENERAL TOLERANCES (UNLESS SPECIFIED)		DIMENSION STYLE IN/MM		SCALE ---	DESIGN UNITS METRIC	THIRD ANGLE PROJECTION		
		4 PLACES ± --- ± ---	3 PLACES ± --- ± .010	2 PLACES ± 0.25 ± .015	1 PLACE ± 0.38 ± ---	DRAWN BY T.GREGORI DATE 2006/01/17	TITLE MINI-FIT VERTICAL BMI HEADER ASSEMBLY (HIGH CYCLE SERIES)			
		ANGULAR ±1/2°				CHECKED BY J.COMERCI	MOLEX INCORPORATED			
		DRAFT WHERE APPLICABLE MUST REMAIN WITHIN DIMENSIONS				APPROVED BY J.COMERCI	MATERIAL NO. SEE SHEET 1	DOCUMENT NO. SD-46099-001	SHEET NO. 2 OF 2	
THIS DRAWING CONTAINS INFORMATION THAT IS PROPRIETARY TO MOLEX INCORPORATED AND SHOULD NOT BE USED WITHOUT WRITTEN PERMISSION										