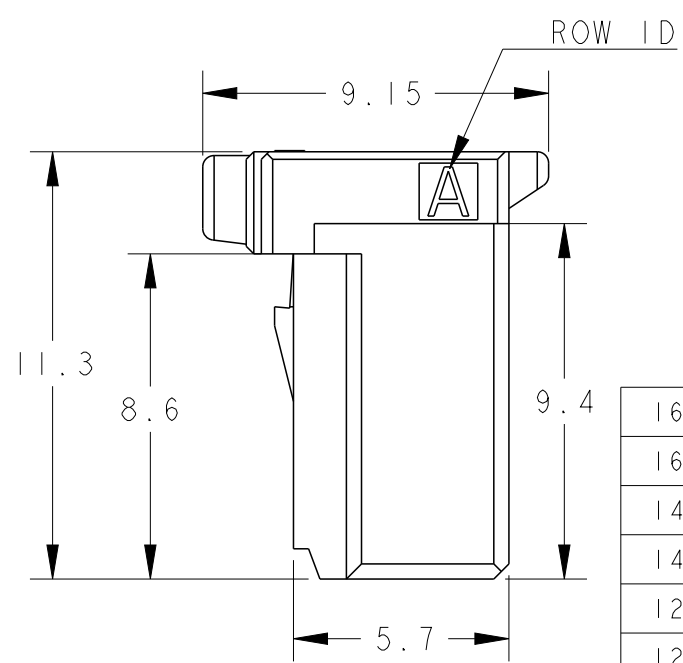
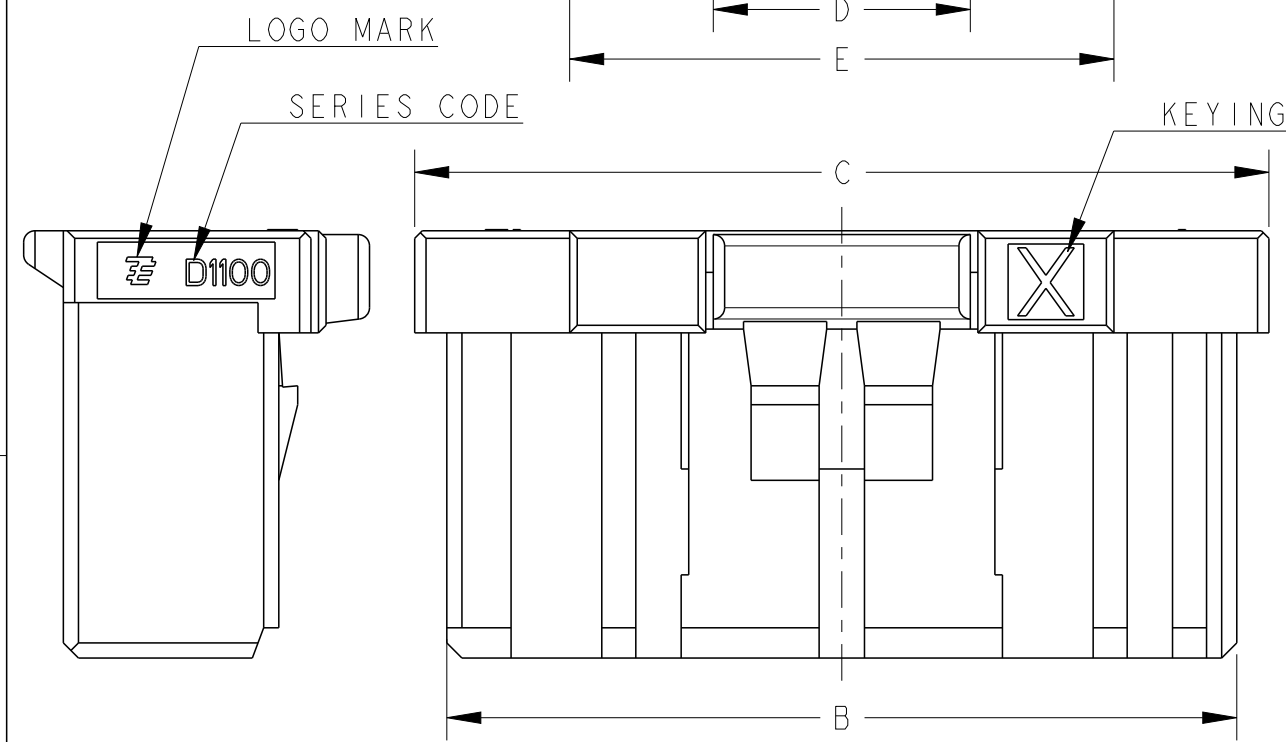
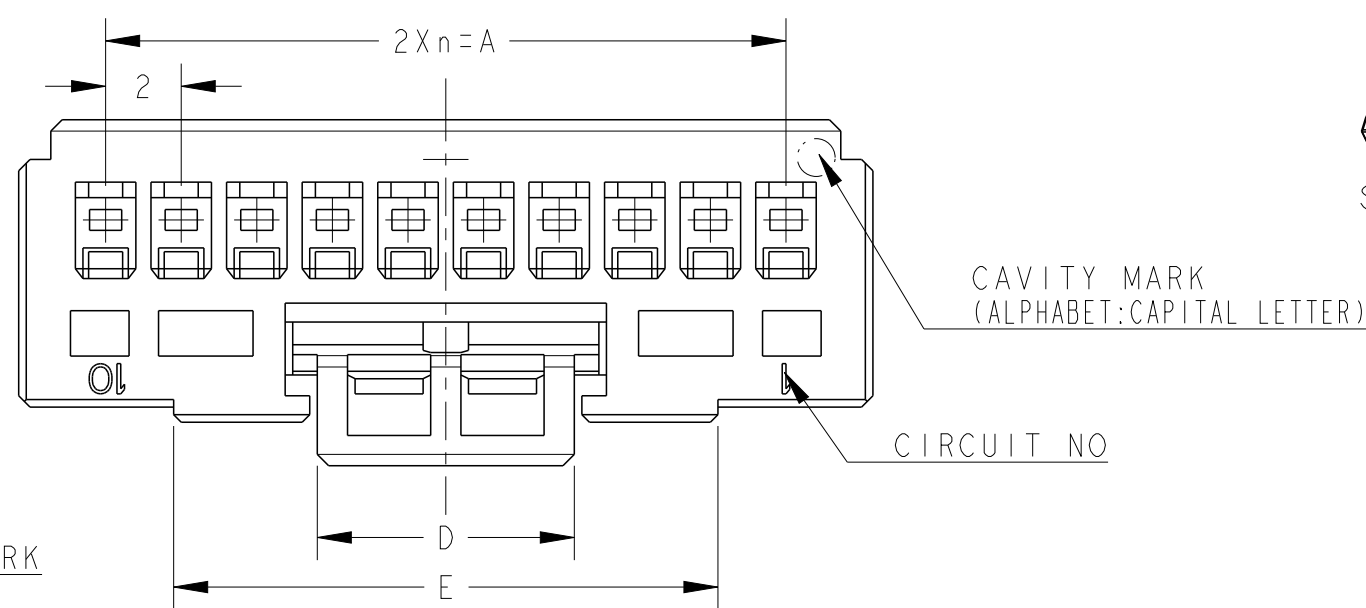
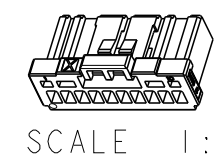
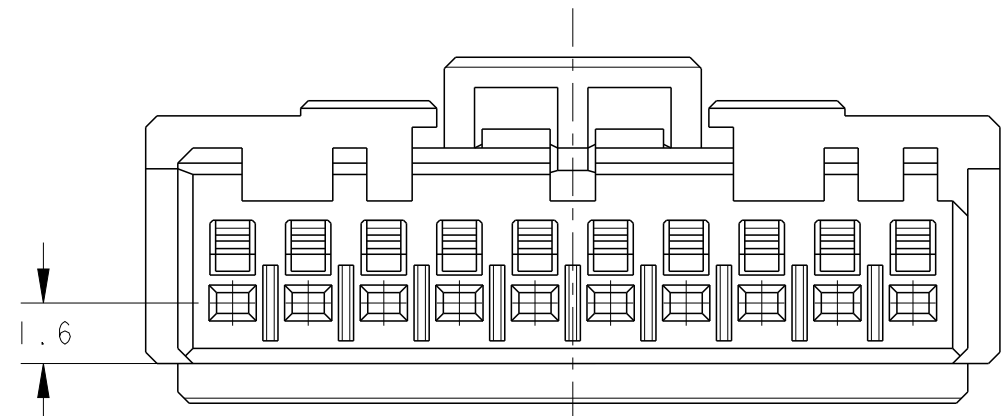


P	LTR	DESCRIPTION	DATE	DWN	APVD
	E1	REVISED PER ECR-22-162100	23DEC2022	C.C	R.B
	F	REVISED PER ECR-23-171985	12APR2023	C.C	R.B



- 1. MATERIAL: GLASS FILED THERMO PLASTIC POLYESTER(94V-0), COLOR: BLACK
- 2. THE KEYING ARRANGEMENT OF "Y" IS SYMMETRIC WITH "X".
- 3. THE SHAPE, SIZE AND POSITION OF THE CHARACTER SHOW THE OUTLINE. THEY DON'T SHOW DETAILS.

16	Y	15	30.0	32.9	34.6	12.8	26.4	2-1939758-3
16	X	15	30.0	32.9	34.6	12.8	26.4	1-1939758-3
14	Y	13	26.0	28.9	30.6	12.8	26.4	2-1939758-2
14	X	13	26.0	28.9	30.6	12.8	26.4	1-1939758-2
12	Y	11	22.0	24.9	26.6	6.8	14.4	2-1939758-1
12	X	11	22.0	24.9	26.6	6.8	14.4	1-1939758-1
10	Y	9	18.0	20.9	22.6	6.8	14.4	2-1939758-0
10	X	9	18.0	20.9	22.6	6.8	14.4	1-1939758-0
8	Y	7	14.0	16.9	18.6	6.8	14.4	2-1939758-8
8	X	7	14.0	16.9	18.6	6.8	14.4	1-1939758-8
4	Y	3	6.0	8.9	10.6	3.6	-	2-1939758-4
4	X	3	6.0	8.9	10.6	3.6	-	1-1939758-4
POS	KEY	n	A	B	C	D	E	PART NO



THIS DRAWING IS A CONTROLLED DOCUMENT.

DWN: M. MAEBASHI 30JUL2007
 CHK: T. KUDO 30JUL2007
 APVD: D. MITSUGI 30JUL2007

TE Connectivity

NAME: DYNAMIC D1100S 2.0mm PITCH
 REC HSG
 2-16POS

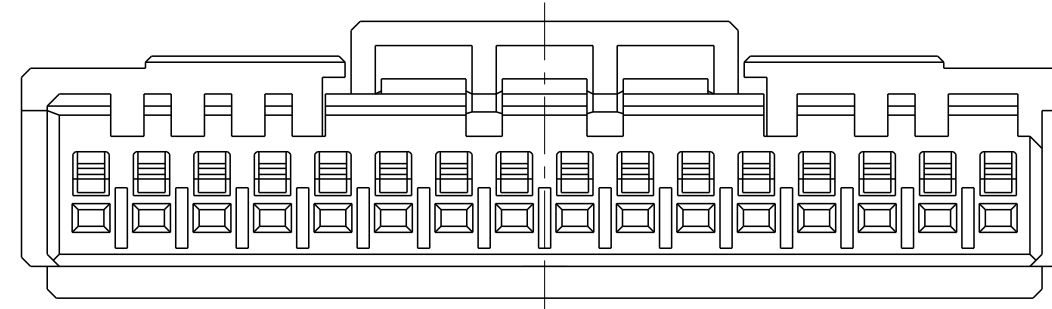
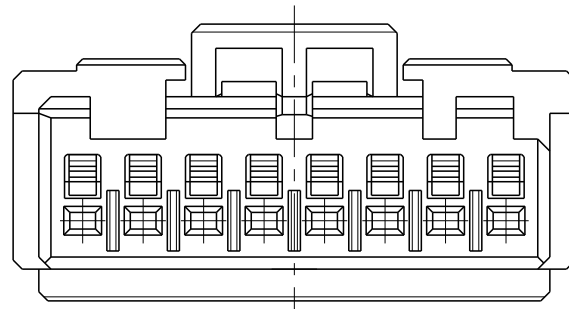
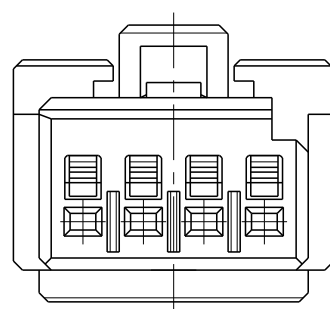
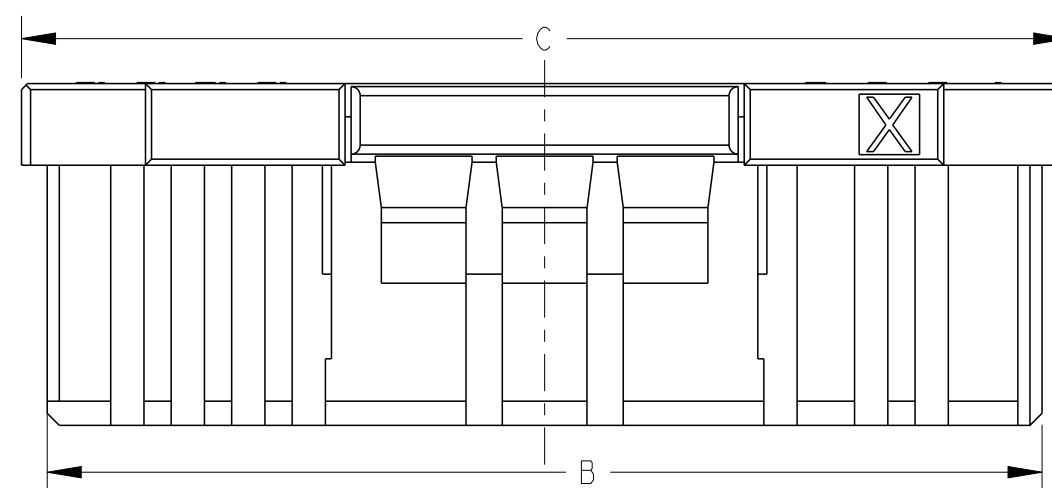
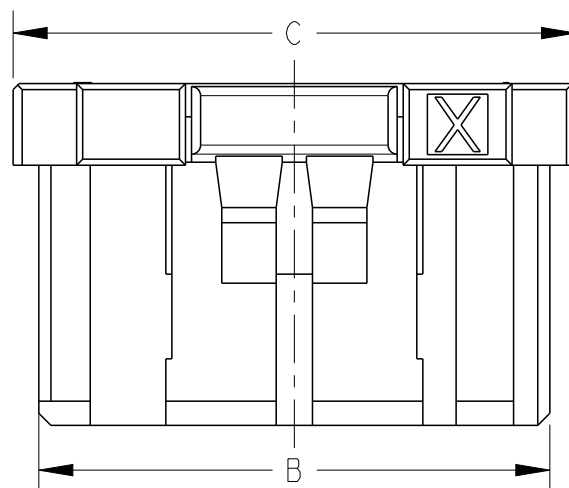
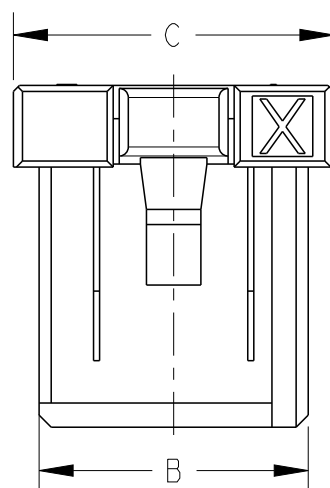
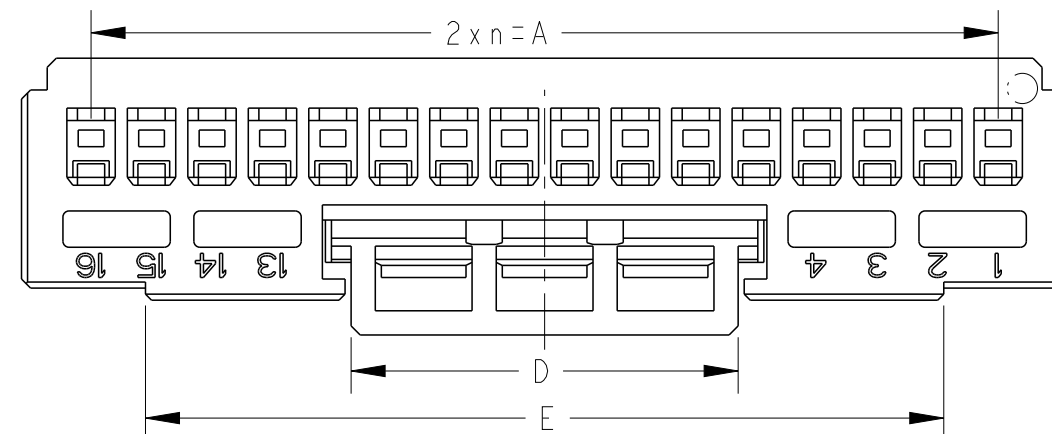
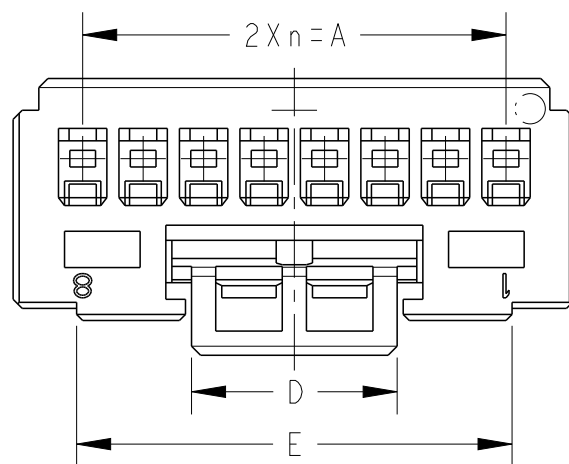
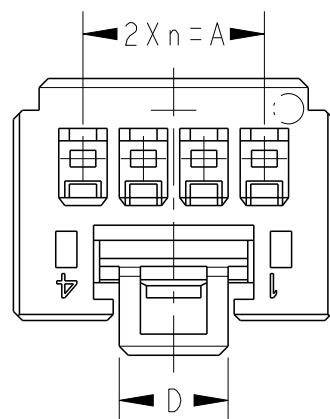
PRODUCT SPEC: 108-78268, 78298
 APPLICATION SPEC: 114-5377

WEIGHT: -

SIZE: A3, CAGE CODE: -, DRAWING NO: C-1939758, RESTRICTED TO: -

CUSTOMER DRAWING, SCALE: 5:1, SHEET: 1 OF 3, REV: F


P	LTR	DESCRIPTION	DATE	DWN	APVD
-	-	SEE SHEET 1	-	-	-



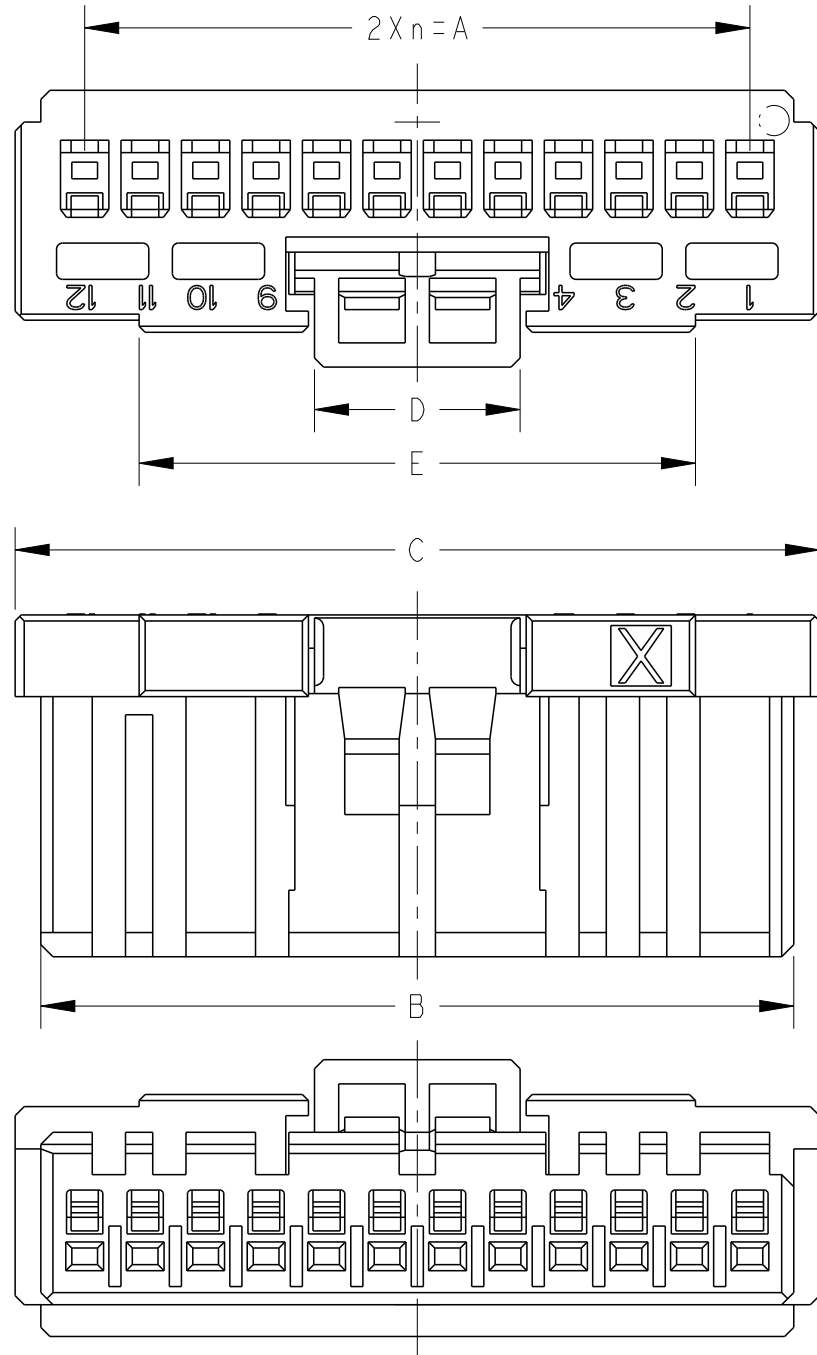
4POS(X-KEY) : 1-1939758-4

8POS(X-KEY) : 1-1939758-8

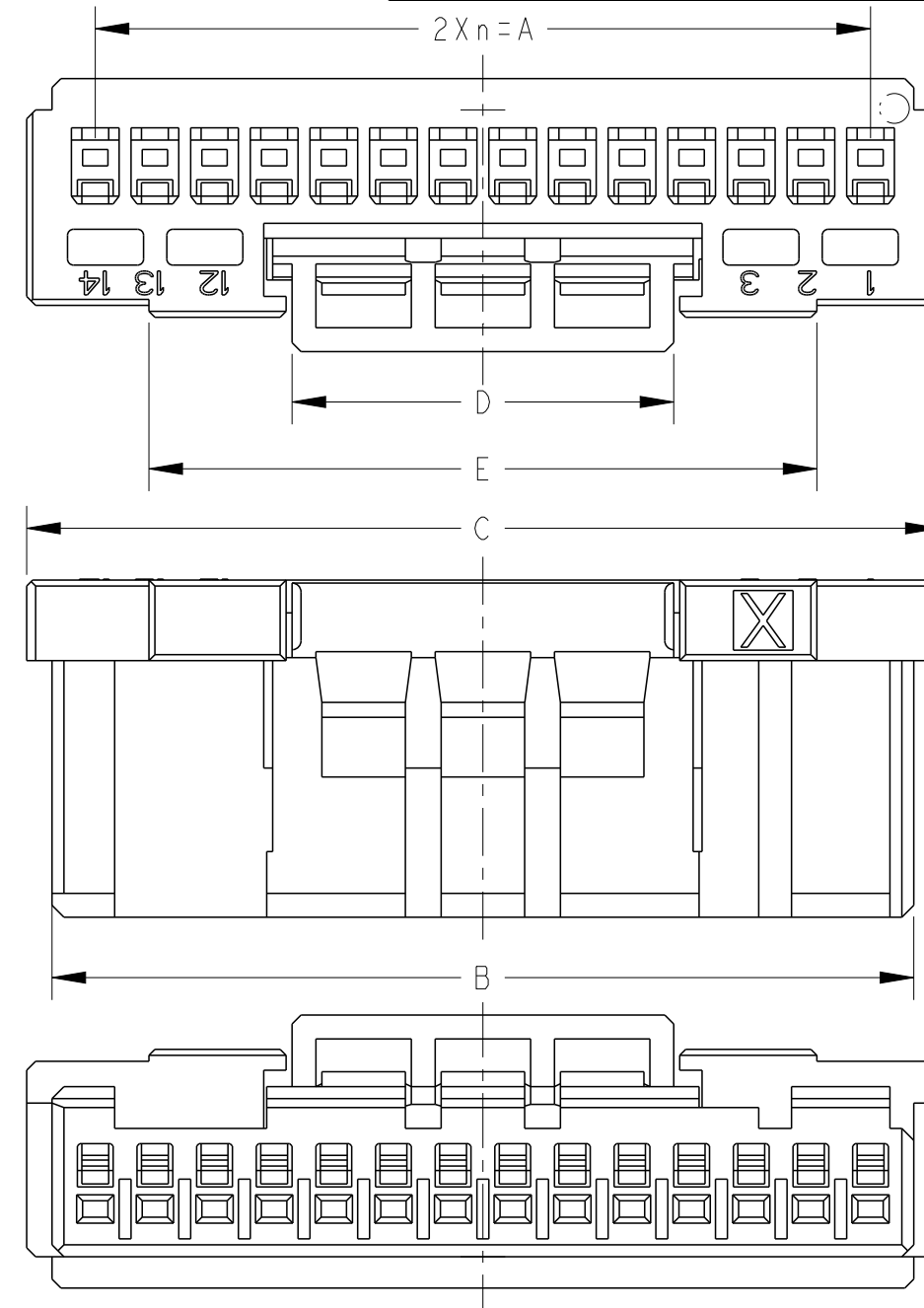
16POS(X-KEY) : 1-1939758-3

THIS DRAWING IS A CONTROLLED DOCUMENT.		DWN M. MAEBASHI 30 JUL 2007	 TE Connectivity NAME DYNAMIC D1100S 2.0mm PITCH REC HSG 2-16POS	SIZE A3	CAGE CODE -	DRAWING NO 1939758	RESTRICTED TO -
DIMENSIONS: mm		CHK T. KUDO 30 JUL 2007					
TOLERANCES UNLESS OTHERWISE SPECIFIED:		APVD D. MITSUGI 30 JUL 2007					
0 PLC ± 1 PLC ±0.3 2 PLC ± 3 PLC ± 4 PLC ± ANGLES ±3° FINISH		PRODUCT SPEC 108-78268, 78298 APPLICATION SPEC 114-5377 WEIGHT -					
MATERIAL		CUSTOMER DRAWING		SCALE 5:1	SHEET 2 OF 3	REV F	

P	LTR	DESCRIPTION	DATE	DWN	APVD
-		SEE SHEET 1	-	-	-



12POS(X-KEY) : 1-1939758-1



14POS(X-KEY) : 1-1939758-2

THIS DRAWING IS A CONTROLLED DOCUMENT.		DWN M. MAEBASHI 30 JUL 2007	TE Connectivity		
DIMENSIONS: mm		CHK T. KUDO 30 JUL 2007			
TOLERANCES UNLESS OTHERWISE SPECIFIED: 0 PLC ±- 1 PLC ±0.3 2 PLC ±- 3 PLC ±- 4 PLC ±- ANGLES ±3°		APVD D. MITSUGI 30 JUL 2007	NAME DYNAMIC D1100S 2.0mm PITCH		
		PRODUCT SPEC 108-78268, 78298	REC HSG 2-16POS		
MATERIAL		APPLICATION SPEC 114-5377	SIZE A3	CAGE CODE -	DRAWING NO C-1939758
FINISH		WEIGHT -	RESTRICTED TO		
-		CUSTOMER DRAWING		SCALE 5:1	SHEET 3 OF 3
				REV F	