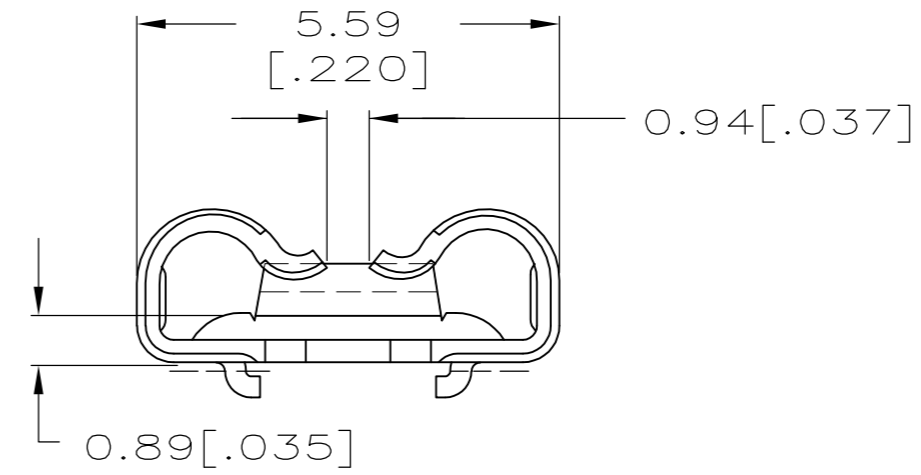
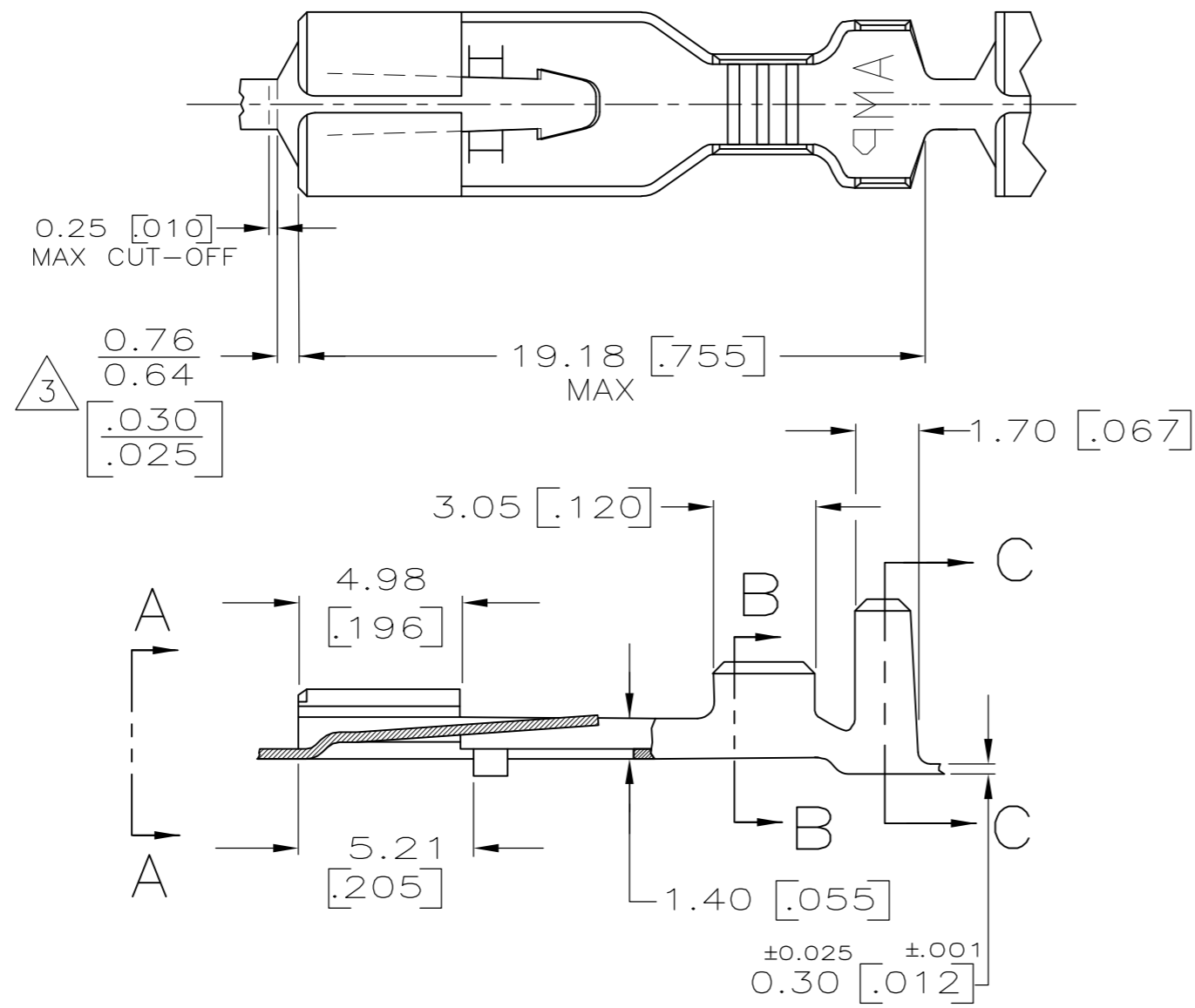


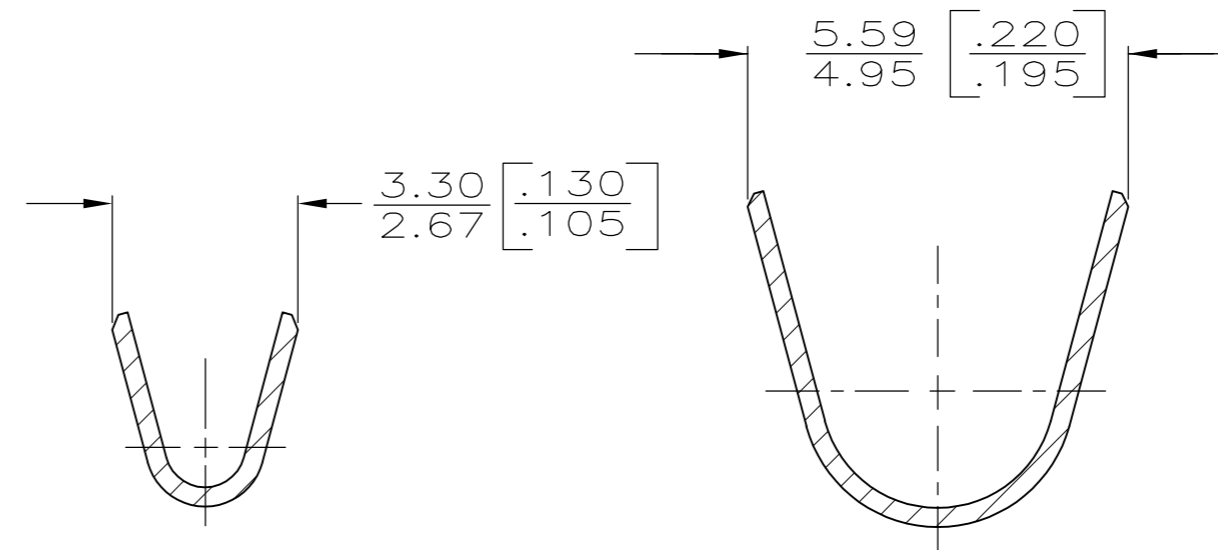
THIS DRAWING IS UNPUBLISHED. RELEASED FOR PUBLICATION
 © COPYRIGHT - By - ALL RIGHTS RESERVED.

LOC		DIST		REVISIONS			
P	LTR	DESCRIPTION		DATE	DWN	APVD	
AF	50	D		REVISED PER ECR-13-011489	12DEC2013	KH	PD

- 1 DIMENSIONS IN BRACKETS ARE IN INCHES.
- 2 CONTINUOUS STRIP ON REELS.
- 3 THE $\frac{0.76}{0.64}$ DIMENSION MUST BE MAINTAINED BY THE APPLICATOR CUT-OFF TO ENSURE THE PROPER LOCKING FUNCTION OF THE RECEPTACLE.
- 4 WIRE SIZES #20-#16, INSULATION RANGE IS 2.29-3.30 [.090-.130] DIA.
- 5 THIS PART MATES WITH P/N 1217716-1.



VIEW A-A



SECTION B-B

SECTION C-C

1217715-1
PART NO.

THIS DRAWING IS A CONTROLLED DOCUMENT.		DWN	JR RUTH	27SEP01	 TE Connectivity																	
DIMENSIONS: mm [INCHES]		CHK	D DECKER	27SEP01																		
TOLERANCES UNLESS OTHERWISE SPECIFIED:		APVD	D DECKER	27SEP01																		
<table border="1"> <tr><td>0 PLC</td><td>±</td><td>-</td></tr> <tr><td>1 PLC</td><td>±</td><td>-</td></tr> <tr><td>2 PLC</td><td>±</td><td>0.25 [.010]</td></tr> <tr><td>3 PLC</td><td>±</td><td>-</td></tr> <tr><td>4 PLC</td><td>±</td><td>-</td></tr> <tr><td>ANGLES</td><td>±</td><td>-</td></tr> </table>		0 PLC	±	-		1 PLC	±	-	2 PLC	±	0.25 [.010]	3 PLC	±	-	4 PLC	±	-	ANGLES	±	-	NAME	
0 PLC	±	-																				
1 PLC	±	-																				
2 PLC	±	0.25 [.010]																				
3 PLC	±	-																				
4 PLC	±	-																				
ANGLES	±	-																				
MATERIAL	BRASS	FINISH	.000080 MIN TIN	WEIGHT	-	SIZE	A2	CAGE CODE	00779	DRAWING NO	C=1217715	RESTRICTED TO	-									
CUSTOMER DRAWING		SCALE		5:1	SHEET	1 of 1	REV	D														