

THIS DRAWING IS UNPUBLISHED.

RELEASED FOR PUBLICATION

20

LOC HQ DIST 00

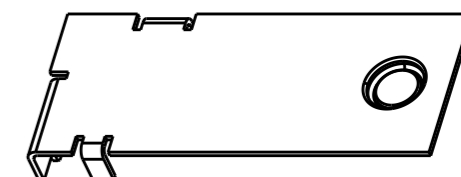
REVISIONS

© COPYRIGHT 20 BY - ALL RIGHTS RESERVED.

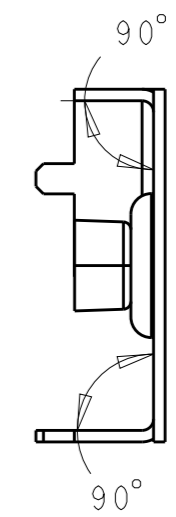
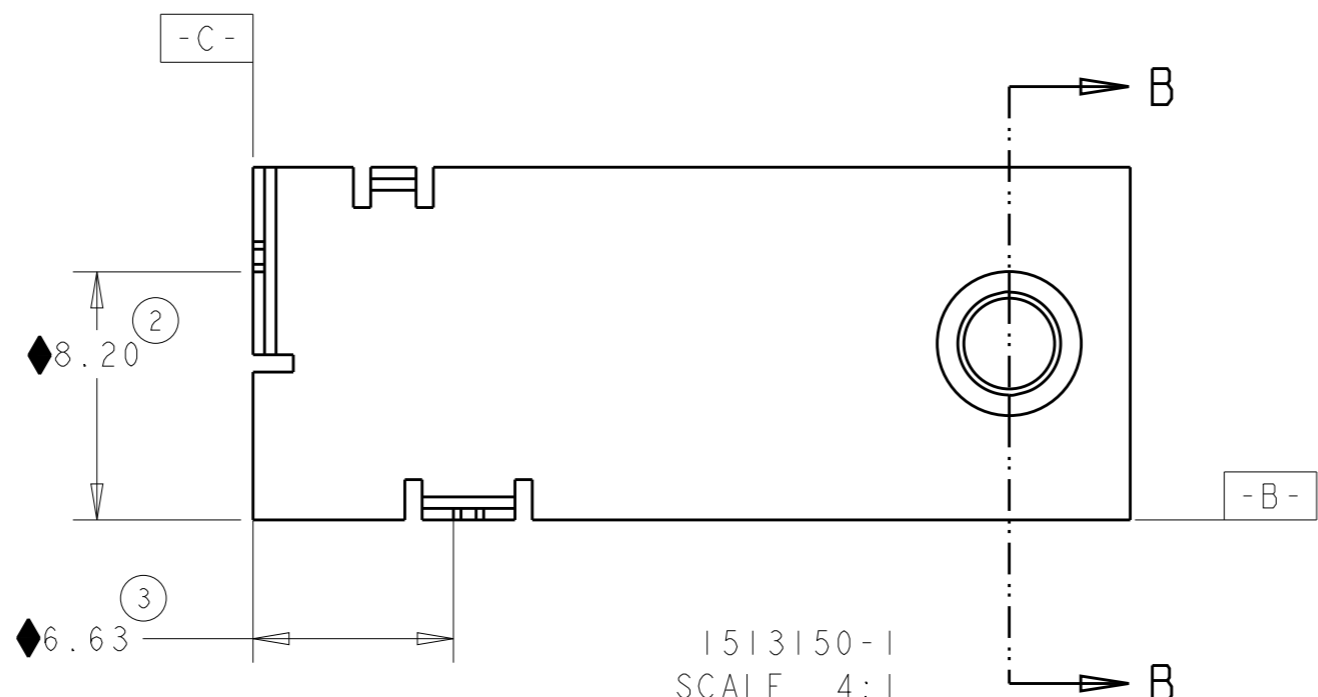
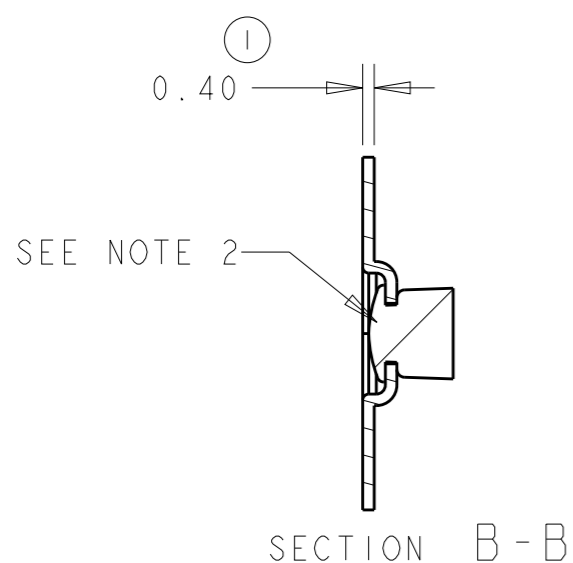
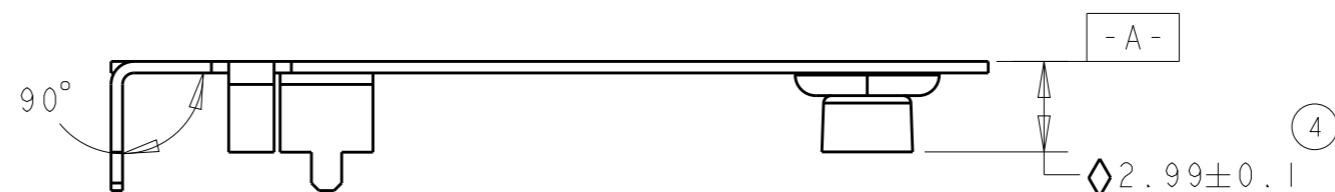
P	LTR	DESCRIPTION	DATE	DWN	APVD
	H	REV PER ECO 12-002787	10FEB2012	DW	GG

NOTES: UNLESS OTHERWISE SPECIFIED.

- PART ARE RoHS COMPLIANT PER TE CONNECTIVITY STANDARD TEC-138-702
- PART WILL BE IDENTIFIED WITH TE LOGO, REV, PART NUMBER AND 4 DIGIT DATE CODE. WITH THE 1st TWO DIGITS FOR THE YEAR AND THE 2nd TWO DIGITS FOR THE WEEK.
- CONSULT TE CONNECTIVITY DATA SHEET DS1513150



FINISHED PRODUCT P/N 1513150-1



1513150-1  
SCALE 4:1

THIS DRAWING IS A CONTROLLED DOCUMENT.		DWN DJL 28APR2003					
DIMENSIONS: mm		CHK -					
TOLERANCES UNLESS OTHERWISE SPECIFIED:		APVD -	NAME Bluetooth 802.11b Antenna Assembly Fabrication Drawing				
0 PLC ±.25 1 PLC ±.10 2 PLC ±.05 3 PLC ±.025 4 PLC ±.01 ANGLES ±1°		PRODUCT SPEC -					
MATERIAL -	FINISH -	APPLICATION SPEC -	SIZE A3	CAGE CODE 00779	DRAWING NO C-1513150	RESTRICTED TO -	
		WEIGHT -	CUSTOMER DRAWING		SCALE 2:1	SHEET 1 OF 1	REV H