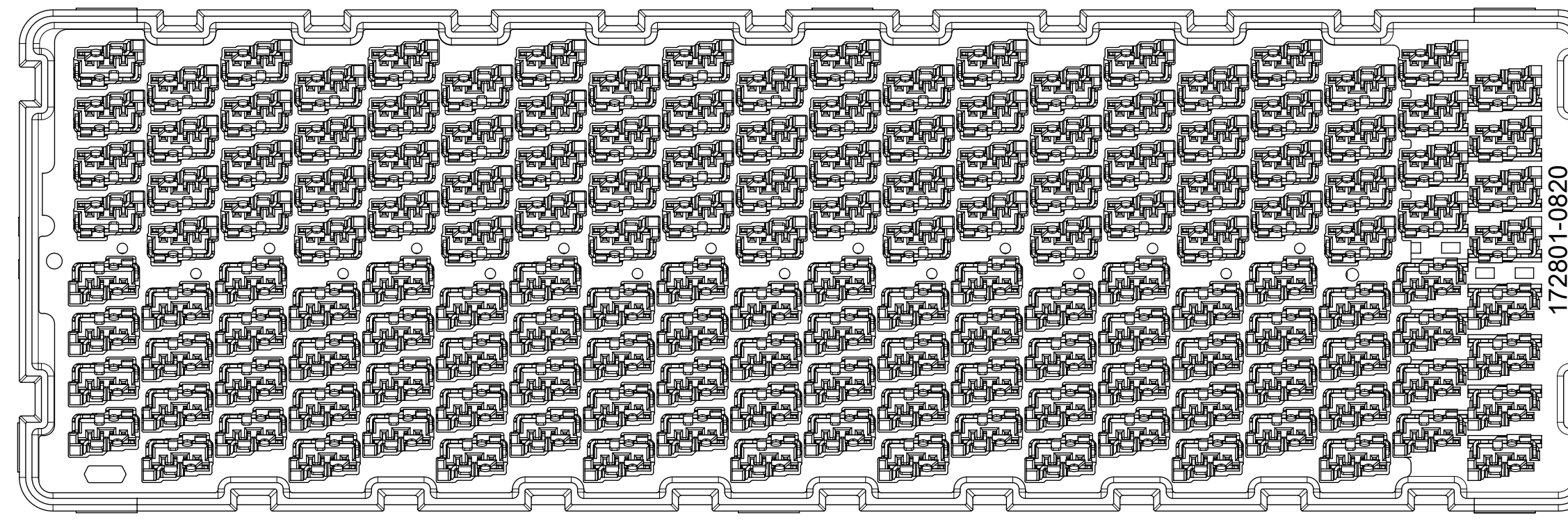


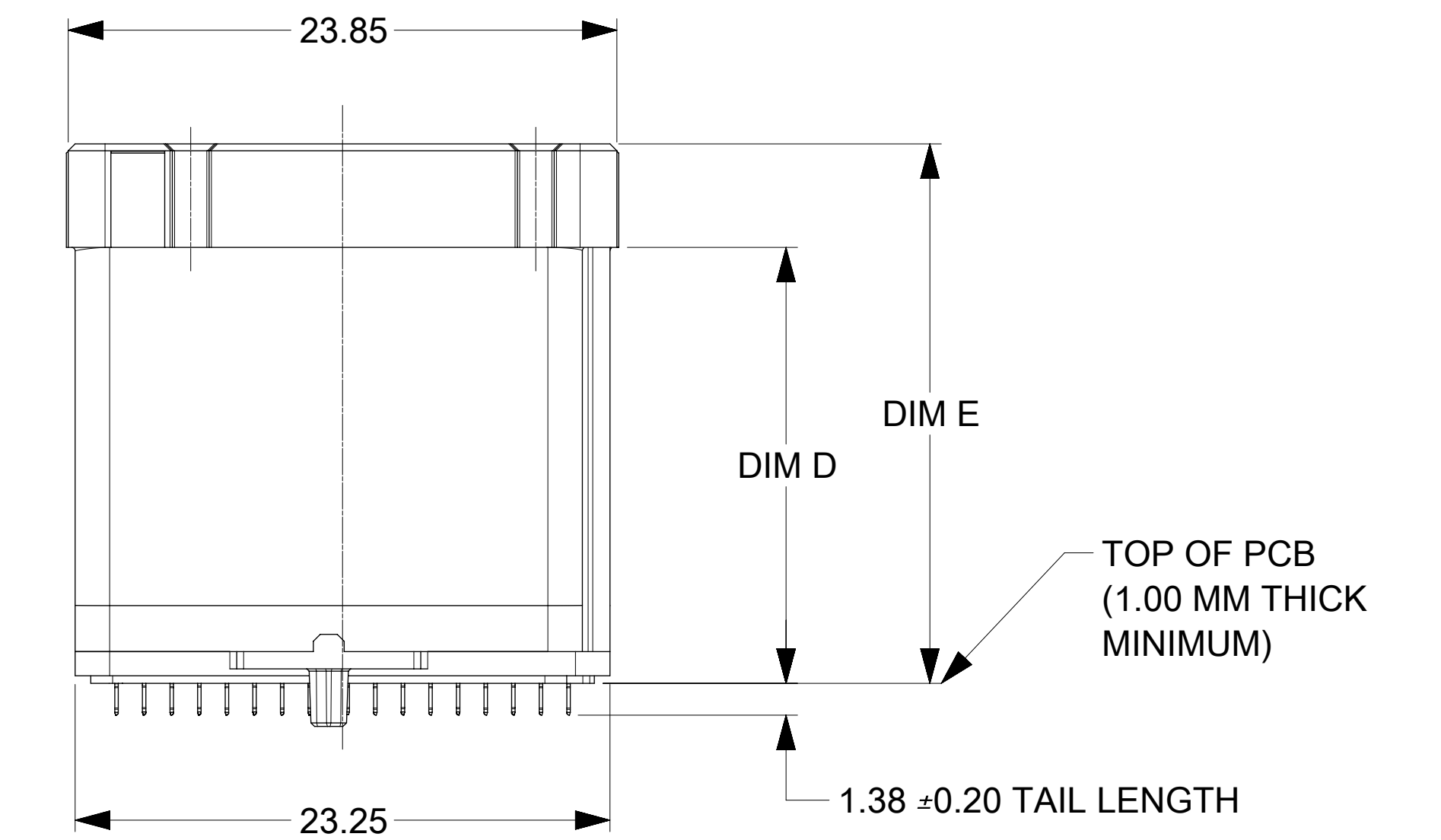
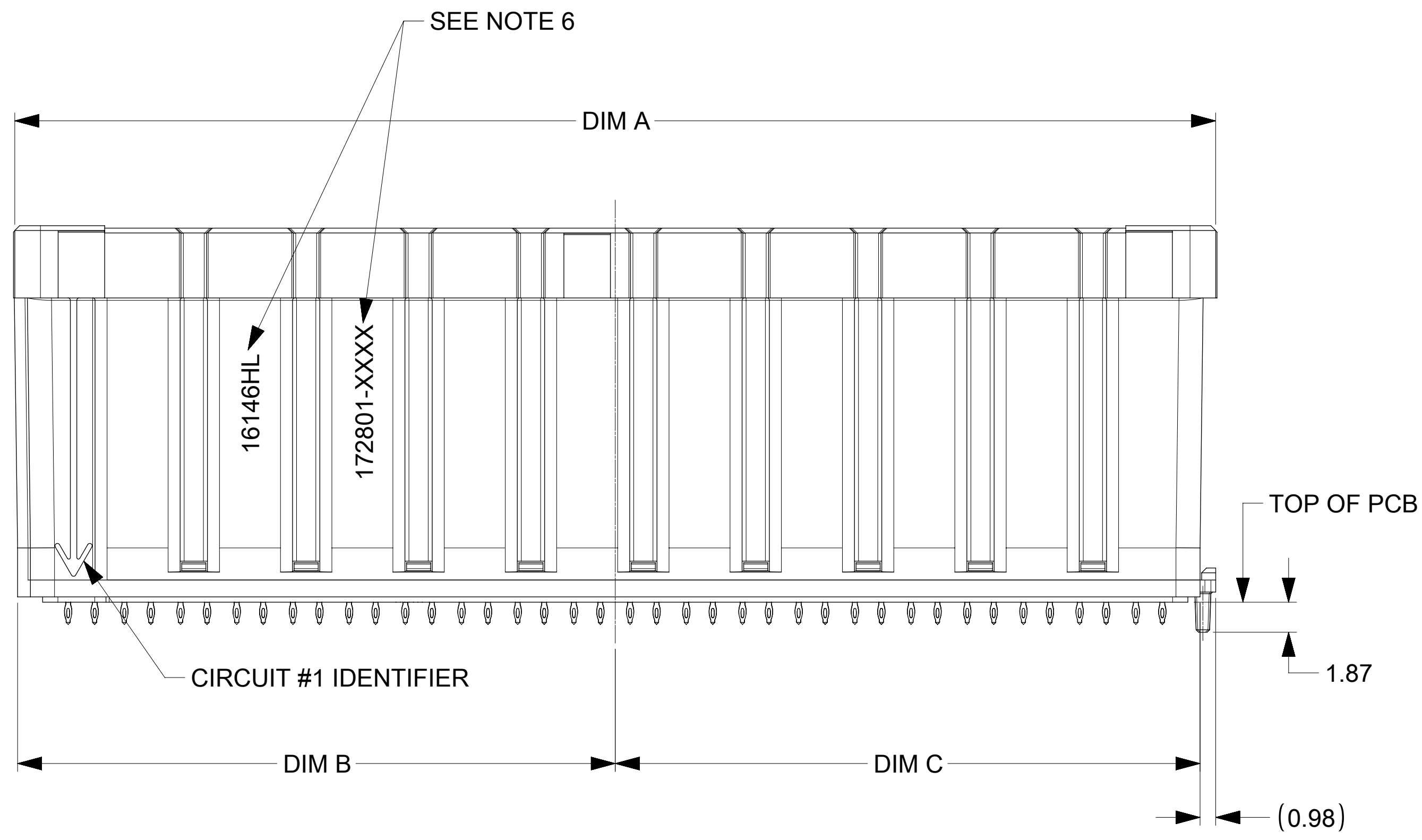
172801-0014 PLUG ASSEMBLY SHOWN

NOTES:

1. HOUSING MATERIAL: LCP, GLASS FILLED, UL 94V-0, BLACK
CONTACT MATERIAL: HIGH PERFORMANCE COPPER ALLOY
2. FINISH:
CONTACTS: SELECTIVE GOLD: 30 MICRO INCHES MINIMUM ON CONTACT AREA
SELECTIVE TIN ON COMPLIANT PIN: 50 MICRO INCHES MINIMUM
OVER NICKEL OVERALL
3. PRODUCT SPECIFICATION: PS-172801-0001
4. PACKAGING SPECIFICATION: PK-173358-0001
5. APPLICATION SPECIFICATION: AS-172801-0001
6. PARTS TO BE MARKED WITH THE PART NUMBER AND DATE CODE.
FORMAT IS 2 DIGIT YEAR, 3 DIGIT DAY, 1 DIGIT HOUR (IF NEEDED), AND
ONE DIGIT ASSEMBLY LINE (IF NEEDED) BY MARKING THE HOUSING AS SHOWN.
7. THIS PART CONFORMS TO CLASS B REQUIREMENTS OF
MOLEX COSMETIC SPEC. PS-45499-002



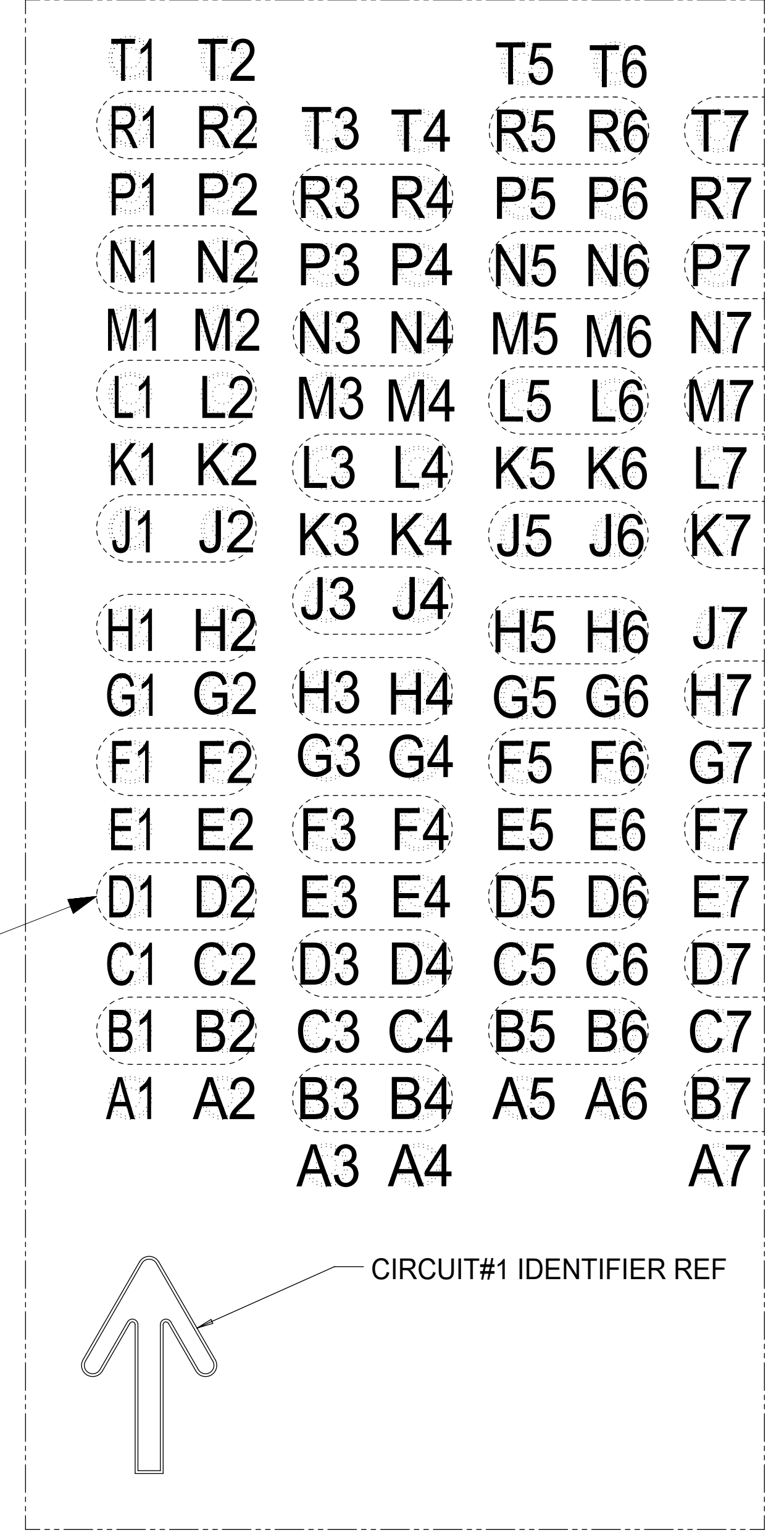
ENGRAVING FOR MOLEX
INTERNAL USE ONLY



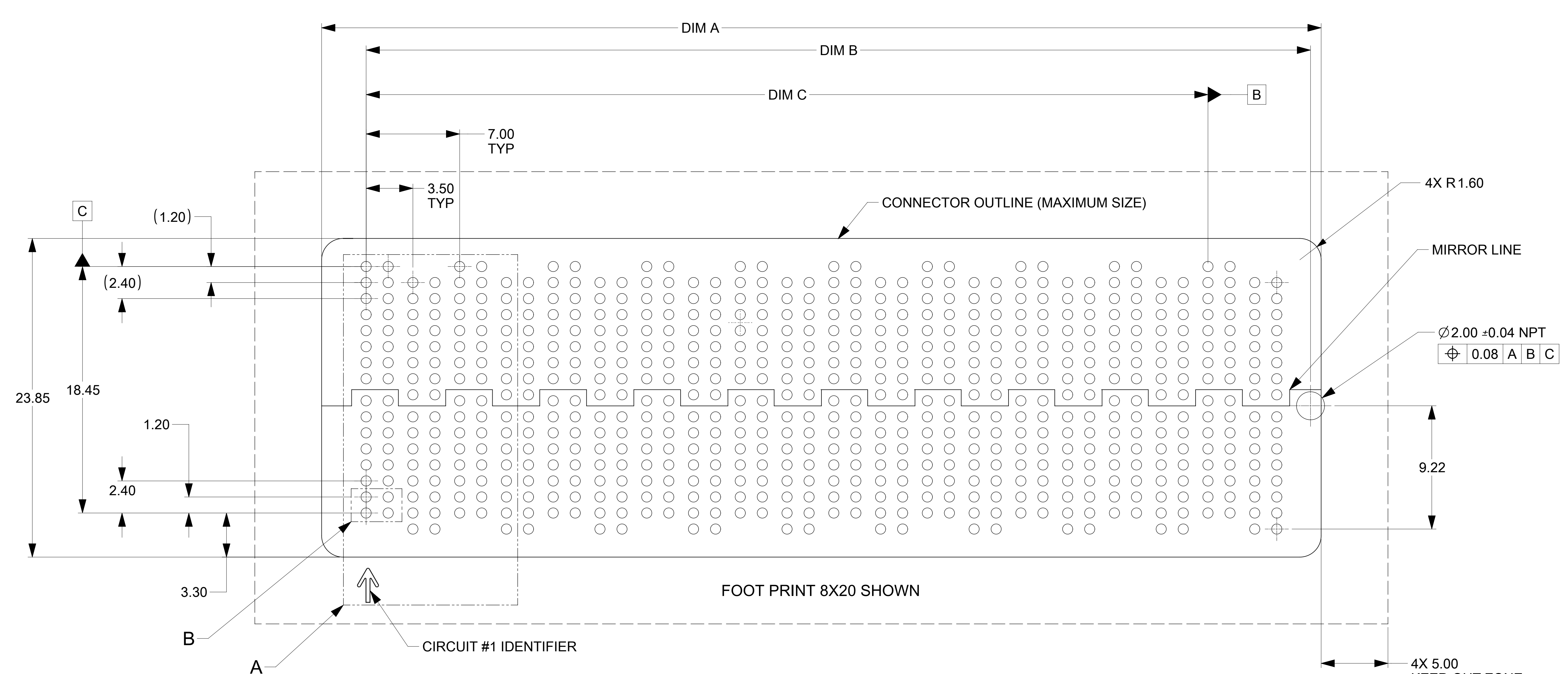
MATERIAL NUMBER	HEIGHT	NO. OF COLUMNS	DIM A	DIM B	DIM C	DIM D	DIM E	LOCATING PEG	TOOLED	MATES TO
1728010010	21.5	20	74.80	37.23	36.43	18.95	23.45	NO	YES	1728320010
1728010014	21.5	20	74.80	37.23	36.43	18.95	23.45	PRESENT	NO	1728320010
1728010019	13.5	14	53.80	26.73	25.93	10.95	15.45	PRESENT	NO	1733640008

SYMBOLS DIMENSION UNITS: mm SCALE: 5:1 GENERAL TOLERANCES (UNLESS SPECIFIED) ANGULAR TOL: ± ° 4 PLACES: ± 3 PLACES: ± 2 PLACES: ± 0.15 1 PLACE: ± 0 PLACES: ± DRAFT WHERE APPLICABLE MUST REMAIN WITHIN DIMENSIONS	THIS DRAWING CONTAINS INFORMATION THAT IS PROPRIETARY TO MOLEX ELECTRONIC TECHNOLOGIES, LLC AND SHOULD NOT BE USED WITHOUT WRITTEN PERMISSION			molex NEOPRESS 8 ROW PLUG ASSY, 100 OHMS 100 OHM		
	CURRENT REV DESC: RVSD KEEP-OUT ZONE					
	EC NO: 174569			2018/04/03		
	DRWN: TPREMO			2018/04/05		
	CHK'D: KLANG			2018/04/05		
	APPR: KLANG			2018/04/05		
	INITIAL REVISION:			2017/05/25		
	DRWN: GMINNICK			2018/03/16		
	APPR: KLANG			2018/03/16		
	THIRD ANGLE PROJECTION		DRAWING		SERIES	
E-SIZE		172801		MATERIAL NUMBER		
SEE TABLE		GENERAL MARKET		SHEET NUMBER		
				1 OF 2		

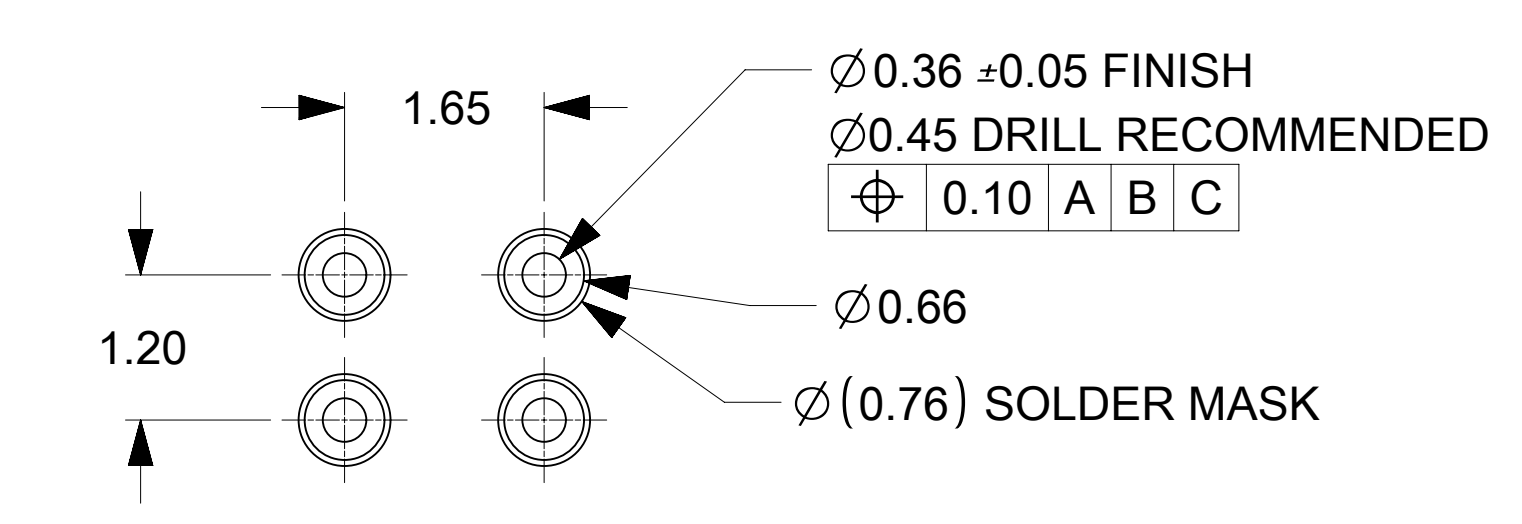
CIRCLED VIAS ARE CONNECTED TO THE SAME SHIELD TERMINAL. ALSO, ALL SHIELD VIAS ARE ELECTRICALLY INTERCONNECTED INSIDE THE CONNECTOR. (SEE CHART FOR EXCEPTIONS FOR POWER TERMINALS*. THE LOW SPEED TRIADS SHIELD TERMINALS MUST BE USED FOR GROUNDS ONLY AND MAY BE CONNECTED TO OTHER SHIELDS IN THIS CONNECTOR EXCEPT THE ELECTRICALLY ISOLATED SHIELDS).



DETAIL A
SCALE 12:1
NUMBERING SCHEME



FOOT PRINT NOTES:
1. DATUM -A- IS THE TOP OF THE PCB
2. ALL DIMENSIONS ARE BASIC



DETAIL B
SCALE 16:1

MATERIAL NUMBER	NO. OF COLUMNS	DIM A	DIM B	DIM C	ELECTRICALLY ISOLATED SHIELDS *	LOW SPEED TRIADS *
1728010010	20	74.80	70.68	63.00	COLUMN 20: B39,B40,D39,D40,F39,F40,H39,H40,J39,J40,L39,L40,N39,N40,R39,R40	COLUMN 19: B37,B38,D37,D38,F37,F38,H37,H38,J37,J38,L37,L38,N37,N38,R37,R38
1728010014	20	74.80	70.68	63.00	COLUMN 20: B39,B40,D39,D40,F39,F40,H39,H40,J39,J40,L39,L40,N39,N40,R39,R40	COLUMN 19: B37,B38,D37,D38,F37,F38,H37,H38,J37,J38,L37,L38,N37,N38,R37,R38
1728010019	14	53.80	49.68	42.00	N/A	N/A

SYMBOLS	THIS DRAWING CONTAINS INFORMATION THAT IS PROPRIETARY TO MOLEX ELECTRONIC TECHNOLOGIES, LLC AND SHOULD NOT BE USED WITHOUT WRITTEN PERMISSION		<p style="text-align: center;">molex</p> <p style="text-align: center;">NEOPRESS 8 ROW PLUG ASSY, 100 OHMS 100 OHM</p>							
	DIMENSION UNITS	SCALE					CURRENT REV DESC: RVSD KEEP-OUT ZONE			
▽ = 0	mm	1:1	EC NO: 174569		DOCUMENT NUMBER	DOC TYPE	DOC PART	REVISION		
▽ = 0	GENERAL TOLERANCES (UNLESS SPECIFIED)		DRWN: TPREMO	2018/04/03						
▽ = 0	ANGULAR TOL ± °		CHK'D: KLANG	2018/04/05	PRODUCT CUSTOMER DRAWING					
▽ = 0	4 PLACES ±		APPR: KLANG	2018/04/05	1728010003					
▽ = 0	3 PLACES ±		INITIAL REVISION:		PSD 000 B					
▽ = 0	2 PLACES ± 0.15		DRWN: GMINNICK		1728010003					
▽ = 0	1 PLACE ±		APPR: KLANG		PSD 000 B					
▽ = 0	0 PLACES ±		2017/05/25		1728010003					
▽ = 0	DRAFT WHERE APPLICABLE MUST REMAIN WITHIN DIMENSIONS		2018/03/16		1728010003					
▽ = 0	THIRD ANGLE PROJECTION		DRAWING SERIES		MATERIAL NUMBER		CUSTOMER		SHEET NUMBER	
▽ = 0	E-SIZE		172801		SEE TABLE		GENERAL MARKET		2 OF 2	