

PLEASE CHECK WWW.MOLEX.COM FOR LATEST PART INFORMATION

Part Number: [1731120307](#)
Status: **Active**
Overview: [FCT D-Sub Connectors](#)
Description: FCT Locking Plate for Spring Lock, for Size 1-4 D-sub, with Mounting Screws, Stainless Steel

Documents:

[Brochure \(PDF\)](#)

[RoHS Certificate of Compliance \(PDF\)](#)

General

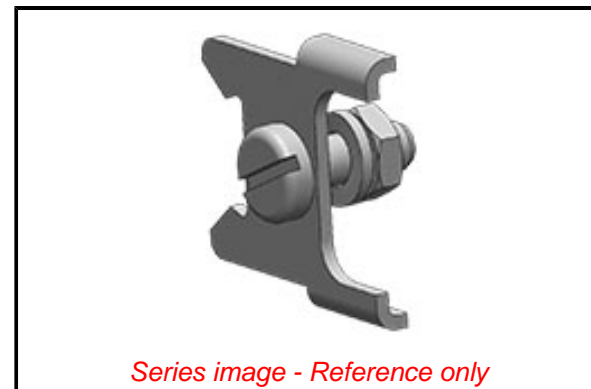
Product Family	D-Sub Products
Series	173112
Accessory Type	Locking Plate
IP Rating	N/A
Overview	FCT D-Sub Connectors
Product Category	Accessories
Product Name	FCT Products
UPC	889056817097

Physical

Material - Body	Stainless Steel
Material - Screw	Stainless Steel
Net Weight	1.500/g
Packaging Type	Bag
Thread Size	4-40 UNC
Thread Type	Standard

Material Info

Engineering Number	F1044-1
--------------------	---------



EU ELV

Not Relevant

EU RoHS

Compliant

REACH SVHC

Not Contained Per -
D(2021)4569-DC (8
July 2021)

Halogen-Free

Status

Not Reviewed

For more information, please visit [Contact US](#)

China ROHS

ELV

RoHS Phthalates

China RoHS

Green Image

Not Relevant

Not Contained

Search Parts in this Series

[173112 Series](#)

Use With

FCT D-Sub, Sizes 1-4