

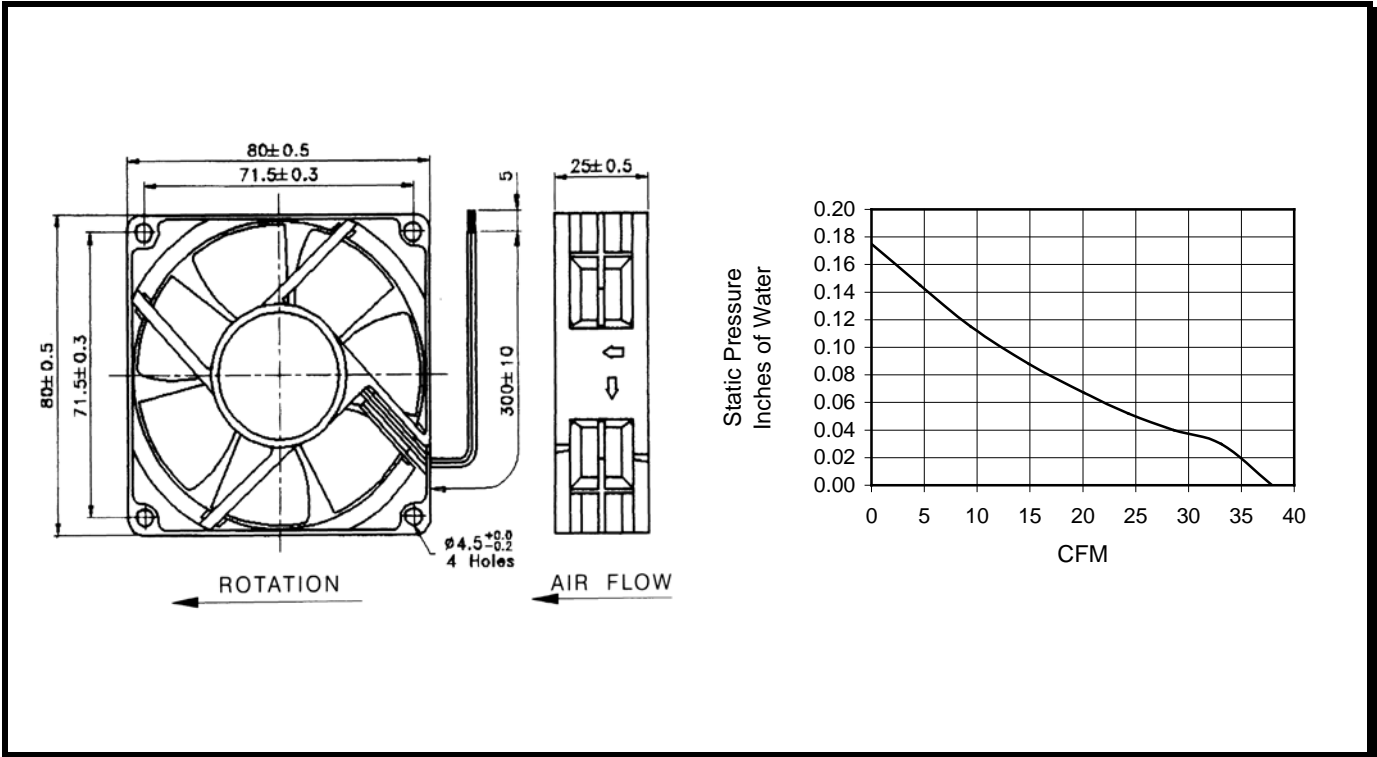
# SPECIFICATIONS



**Model Number:** CR08024HB257004  
**Part Number:** 19032744A

**Version:** 01  
**Jan 22, 2017**

## Mechanical Drawing:



### Motor:

Nominal Voltage	= 24 vdc
Operating Voltage Range	= 21.6 – 26.4 vdc
Nominal Running Current	= 0.10 amps
Running Power	= 2.40 watts
Average Speed	= 3010 RPM
Bearings	= Ball
Air Flow	= 37.241 CFM
Static Pressure:	= 0.157 Inch H <sub>2</sub> O
Acoustic	= 35.8 dBA

### Construction:

Venturi: Glass Filled polyester (P.B.T)  
Propeller: Glass Filled polyester (P.B.T)

### Life Expectancy:

This fan is designed for continuous duty life of 70,000 hours at 40°C, 65% RH.

### Additional Features:

Brushless DC Motor  
Locked Rotor Protection  
Polarity Protected  
Operating Temperature: -10°C to 70°C  
Storage Temperature: -40°C to 70°C

### Termination:

300 mm Lead-wires, 24AWG, UL 1007  
Red - Power (+)  
Black - Return (-)

### Agency Approvals:

CE