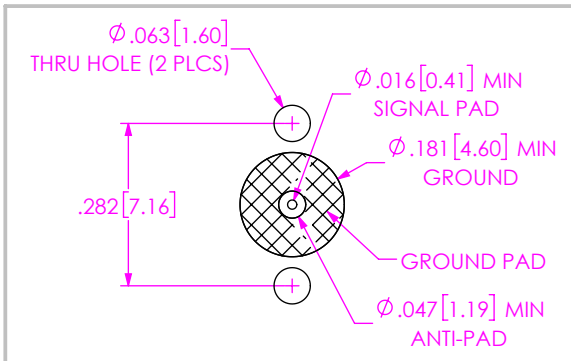
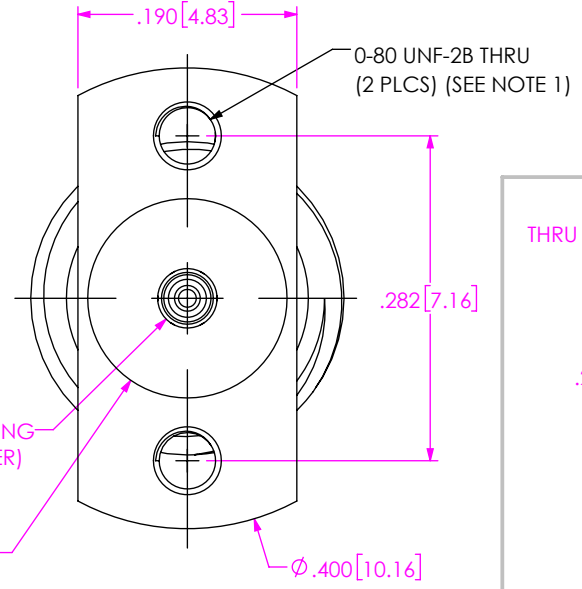
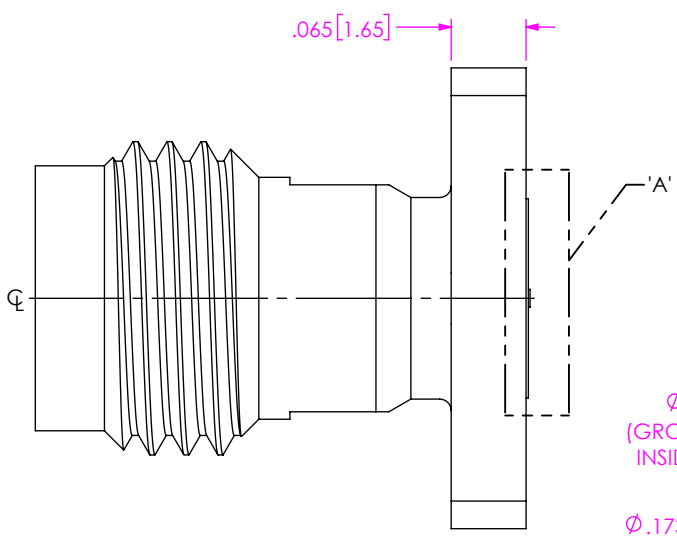
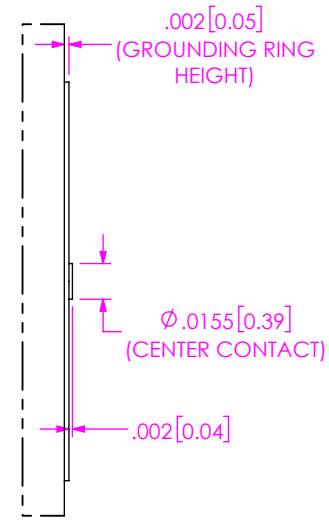
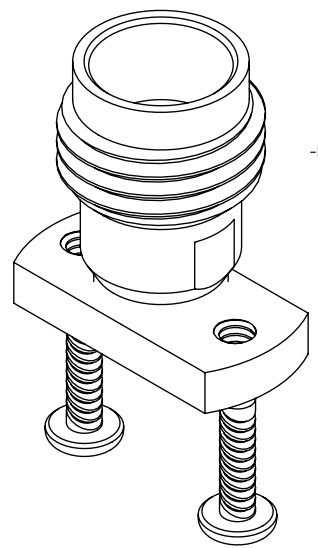
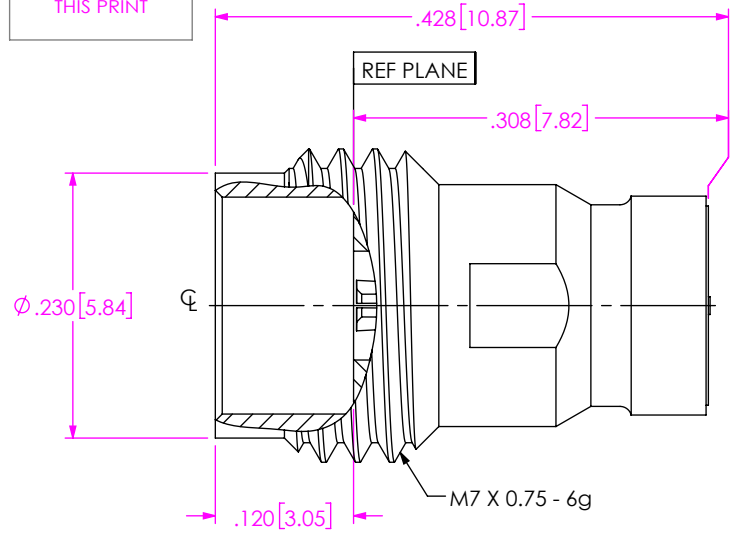


**DESIGNED AND DIMENSIONED IN INCHES[MILLIMETERS]
ALL DIMENSIONS REFERENCE**

DO NOT
SCALE FROM
THIS PRINT

240-J-P-EP-ST-CM-X

- GENDER**
- J: JACK
- TYPE**
- P: PCB
- FINISH**
- EP: 50μ" EXTRA HEAVY GOLD
CENTER CONTACT, PASSIVATED
OUTER CONTACT
- OPTION**
- 1: OPTION 1 (WITHOUT SCREWS)
- 2: OPTION 2 (WITH SCREWS)
- TERMINATION**
- CM: COMPRESSION MOUNT
- ORIENTATION**
- ST: STRAIGHT



**DETAIL 'A'
SCALE 12 : 1**

**RECOMMENDED PCB LAYOUT
(SEE NOTE 2)**

**FIG 1
240-J-P-EP-ST-CM-X SHOWN**

- NOTES:
1. RECOMMENDED TORQUE 0.5-0.8 INCH-POUNDS.
 2. THIS IS A GENERAL FOOTPRINT AND IS NOT OPTIMIZED FOR ELECTRICAL PERFORMANCE, CONTACT SIG@SAMTEC.COM FOR ASSISTANCE WITH ELECTRICAL LAYOUT.

PROPRIETARY NOTE
THIS DOCUMENT CONTAINS CONFIDENTIAL AND PROPRIETARY INFORMATION AND ALL DESIGN, MANUFACTURING, REPRODUCTION, USE, PATENT RIGHTS AND SALES RIGHTS ARE EXPRESSLY RESERVED BY SAMTEC, INC. THIS DOCUMENT SHALL NOT BE DISCLOSED, IN WHOLE OR PART, TO ANY UNAUTHORIZED PERSON OR ENTITY NOR REPRODUCED, TRANSFERRED OR INCORPORATED IN ANY OTHER PROJECT IN ANY MANNER WITHOUT THE EXPRESS WRITTEN CONSENT OF SAMTEC, INC.

DO NOT SCALE DRAWING
SHEET SCALE: 6:1

MATERIAL:
BODY, BUSHING & SCREW: STAINLESS STEEL
SOCKET: COPPER ALLOY

samtec
520 PARK EAST BLVD, NEW ALBANY, IN 47150
PHONE: 812-944-6733 FAX: 812-948-5047
e-Mail: info@SAMTEC.com code: 55322

DESCRIPTION:
2.40MM ST JACK FOR COMPRESSION MOUNT
DWG. NO.
240-J-P-EP-ST-CM-X