

B.220 | Knurled grip knobs

Duroplast

METRIC



MATERIAL

Phenolic based (PF) Duroplast, black colour, glossy finish.

STANDARD EXECUTION

Black-oxide steel hub, plain blind hole.

GN 6303.1 | Quick-tightening knurled knobs

Steel

METRIC



MATERIAL

Black-oxide steel.

STANDARD EXECUTION

Pass-through and oblique hole, partially threaded.

APPLICATIONS

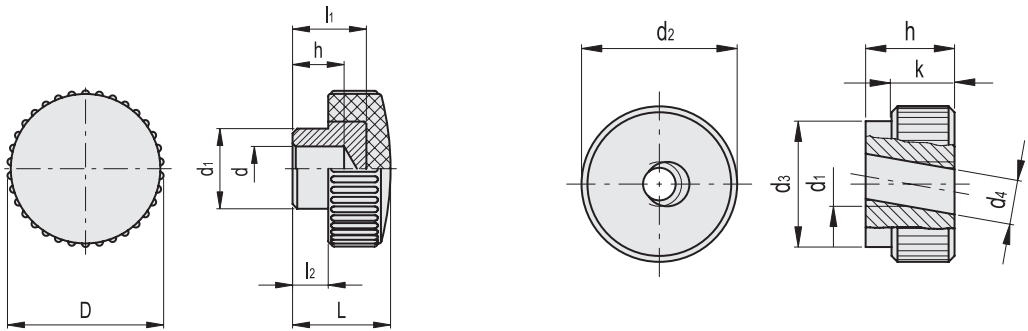
GN 6303.1 knurled knobs are used when quick tightening is required with only a slight clamping force.

ASSEMBLY INSTRUCTIONS

The knob is placed in the axial position so that it fits onto the pin threads. At this point it can be locked with just a slight rotation.



ELESA Original design



Conversion Table	
1 mm = 0.039 inch	
D	
mm	inch
35	1.38

Conversion Table	
1 mm = 0.039 inch	
d2	
mm	inch
20	0.79
24	0.94
30	1.18
36	1.41
40	1.57

Code	Description	D	dH9	L	d1	l1	l2	h	⚖️
2901	B.220/35	35	10	21	18	15	8	10	37

METRIC

Code	Description	d2	d1	d3	d4	h	k	⚖️
GN.30199	GN 6303.1-M5	20	M5	14	5.3	12	8	20
GN.30201	GN 6303.1-M6	24	M6	16	6.7	14	10	35
GN.30211	GN 6303.1-M8	30	M8	20	8.7	17	12	70
GN.30221	GN 6303.1-M10	36	M10	20	11	20	14	100
GN.30226	GN 6303.1-M12	40	M12	32	13	24	16	120

METRIC