

9.2	40.7	38	42	40
9.2	38.7	36	40	38
9.2	36.7	34	38	36
9.2	34.7	32	36	34
9.2	32.7	30	34	32
9.2	30.7	28	32	30
9.2	28.7	26	30	28
9.2	26.7	24	28	26
9.2	24.7	22	26	24
9.2	22.7	20	24	22
9.2	20.7	18	22	20
9.2	18.7	16	20	18
9.2	16.7	14	18	16
9.2	14.7	12	16	14
9.2	12.7	10	14	12
7.3	10.7	8	12	10
D	C	B	A	極数 CIRCUIT SIZE

① TABLE 1

番号 No.	部品 PART	材質 MATERIAL	
①	ターミナル TERMINAL	母材 BASE MATERIAL	黄銅, BRASS
		下地めっき UNDER PLATING	ニッケルめっき 1.0 MICRO-METER MIN NICKEL PLATING 1.0 MICRO-METER MIN
		コンタクト CONTACT	金めっき 0.1 MICRO-METER MIN GOLD PLATING 0.1 MICRO-METER MIN
		テール SOLDER TAIL	
②	ハウジング HOUSING	ポリアミド(PA)ガラス入り, UL94V-0, 色: SEE CHART POLYAMIDE(PA) GLASS FILLED, UL94V-0, COLOR : SEE CHART	

THIS DRAWING CONTAINS INFORMATION THAT IS PROPRIETARY TO MOLEX ELECTRONIC TECHNOLOGIES, LLC AND SHOULD NOT BE USED WITHOUT WRITTEN PERMISSION

DIMENSION UNITS	SCALE	CURRENT REV DESC:	
mm	NTS		
GENERAL TOLERANCES (UNLESS SPECIFIED)			
ANGULAR TOL	± 3.0 °		
4 PLACES	± 0.2	EC NO: 732484	
3 PLACES	± 0.2	DRWN: SNAKAMURA08	2022/12/15
2 PLACES	± 0.2	CHK'D: KOMURAKAMI	2023/03/03
1 PLACE	± 0.2	APPR: SAKIYAMA	2023/03/03
0 PLACES	± 0.2	INITIAL REVISION:	
DRAFT WHERE APPLICABLE MUST REMAIN WITHIN DIMENSIONS		DRWN: SNAKAMURA08	2018/03/15
THIRD ANGLE PROJECTION		APPR: TKANEKO	2018/03/30
DRAWING	SERIES	MATERIAL NUMBER	CUSTOMER
A3-SIZE	503091	5030910000-SD	GENERAL
SHEET NUMBER		DOC TYPE	DOC PART
1 OF 3		PSD	000

molex

IGRID 2.0 PLUG ASSEMBLY
VERTICAL GOLD PLATING

PRODUCT CUSTOMER DRAWING

DOCUMENT NUMBER: 5030910000-SD
DOC TYPE: PSD
DOC PART: 000
REVISION: D

NOTES.

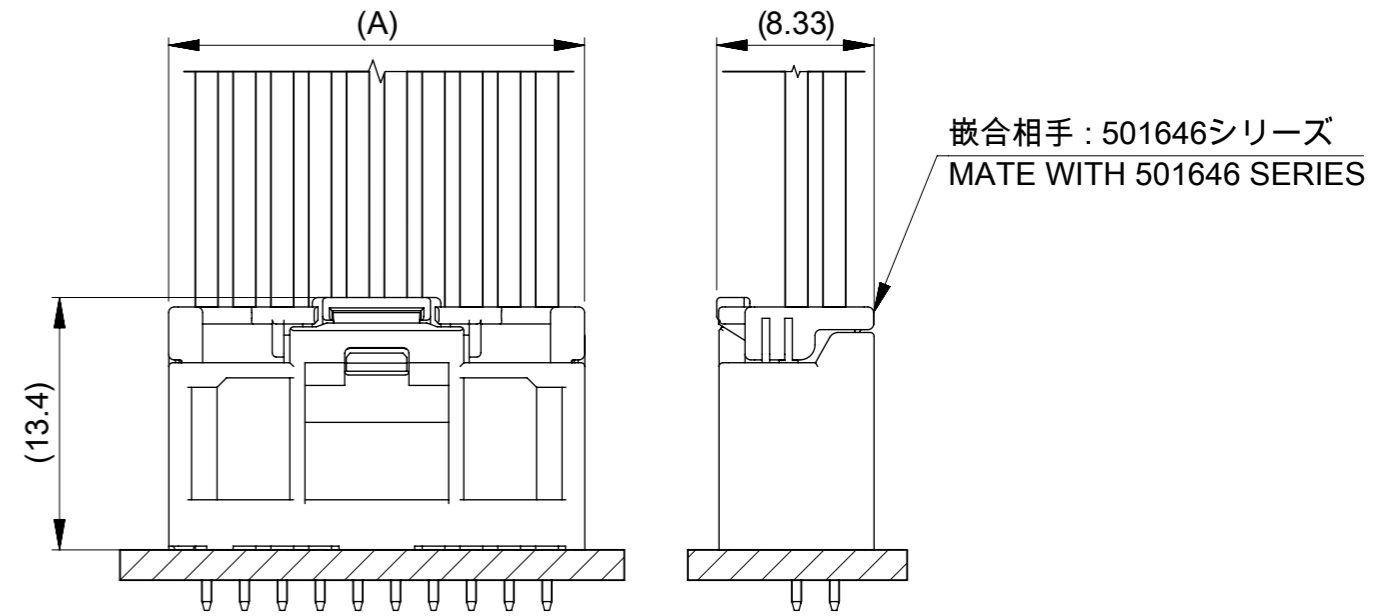
- 1. 材料及び仕上げ(めっき仕様) : TABLE 1 参照
MATERIAL AND FINISHES : SEE TABLE 1
- 2. 製品仕様書 : 5016460000-PS 000 / 5016461000-PS 000
PRODUCT SPECIFICATION:5016460000-PS 000 / 5016461000-PS 000
- 3. 嵌合相手:
MATES WITH:

リセプタクルハウジング RECEPTACLE HOUSING	501646 SERIES	
圧着端子 RECEPTACLE CRIMP TERMINAL	AWG #22-24 金めっき AWG #22-24 GOLD PLATING	503095 2201
	AWG #26-28 金めっき AWG #26-28 GOLD PLATING	503095 2200

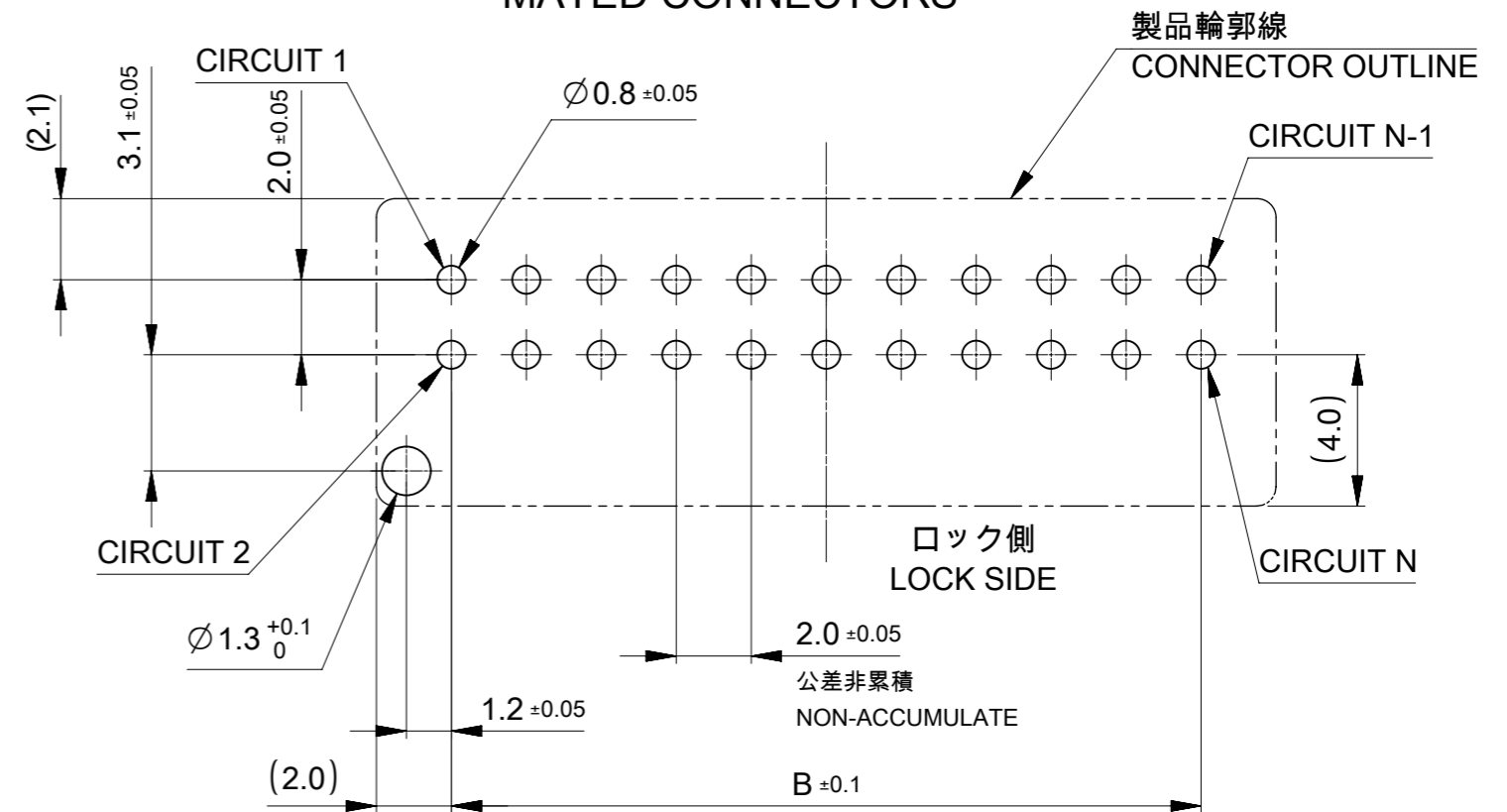
- 4. アプリケーション仕様書(コネクタ取扱い説明書) : 5016460000 PS A01
APPLICATION SPECIFICATION(CONNECTOR MANNUAL): 5016460000 PS A01
- 5. 本製品は金めっき品です。
THIS PRODUCT IS A GOLD PLATING.
- 6. 極数/2 = 偶数に適応
APPLY FOR CIRCUIT SIZE / 2 =EVEN
- 7. 梱包仕様書: 5030919200-SPK 200
PACKING INFORMATION : 5030919200-SPK 200
- 8. 発注番号 : SHEET 3 参照
ORDER No. : PLEASE REFER TO SHEET 3 FOR PRODUCT LIST

503091 ** 2 *

極数 CIRCUIT SIZE	ハウジングカラー HOUSING COLOR
	0:ナチュラル NATURAL (白 WHITE)
	1:黒 BLACK



嵌合状態図
MATED CONNECTORS



基板取付穴推奨寸法(マウント面)

POLARIZED RECOMMENDED PCB LAYOUT HOLE DIMENSION (MOUNTING SIDE)

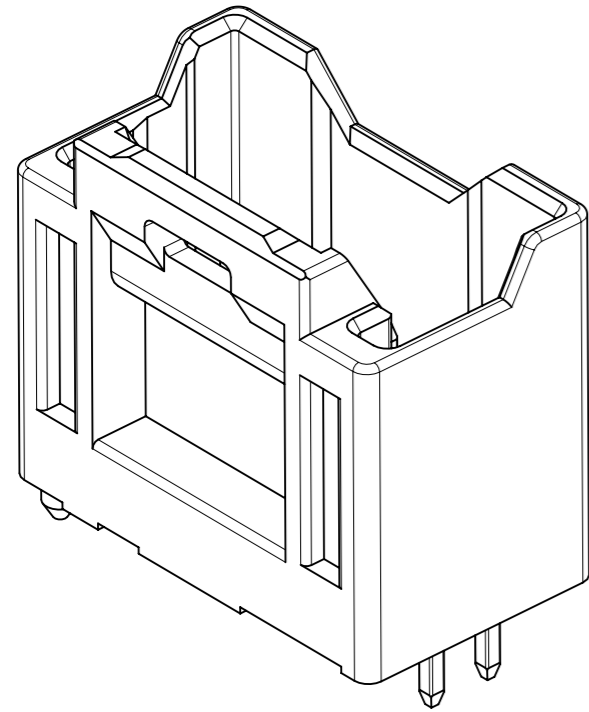
参考基板厚 t=1.2~1.6

REFERENCE PCB THICKNESS t=1.2~1.6

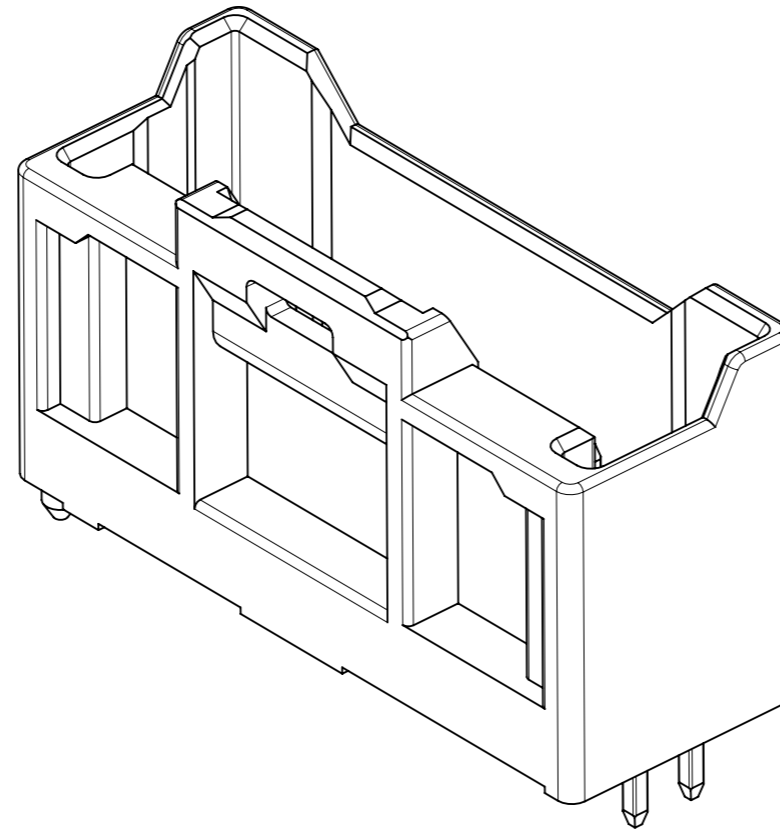
THIS DRAWING CONTAINS INFORMATION THAT IS PROPRIETARY TO MOLEX ELECTRONIC TECHNOLOGIES, LLC AND SHOULD NOT BE USED WITHOUT WRITTEN PERMISSION		CURRENT REV DESC:		molex	
DIMENSION UNITS	SCALE				
mm	NTS			IGRID 2.0 PLUG ASSEMBLY VERTICAL GOLD PLATING	
GENERAL TOLERANCES (UNLESS SPECIFIED)				PRODUCT CUSTOMER DRAWING	
ANGULAR TOL	± 3.0 °			DOCUMENT NUMBER	
4 PLACES	± 0.2	EC NO: 732484	2022/12/15	5030910000-SD	PSD 000 D
3 PLACES	± 0.2	DRWN: SNAKAMURA08	2023/03/03		
2 PLACES	± 0.2	CHK'D: KOMURAKAMI	2023/03/03	DOC TYPE DOC PART REVISION	
1 PLACE	± 0.2	APPR: SAKIYAMA	2023/03/03		
0 PLACES	± 0.2	INITIAL REVISION:			
DRAFT WHERE APPLICABLE MUST REMAIN WITHIN DIMENSIONS		DRWN: SNAKAMURA08	2018/03/15		
THIRD ANGLE PROJECTION		APPR: TKANEKO	2018/03/30		
DRAWING		SERIES	MATERIAL NUMBER	CUSTOMER	
A3-SIZE		503091	SEE SHEET3	GENERAL	
SHEET NUMBER		2 OF 3			

各極数毎の製品形状

PRODUCT SHAPE AT EACH CIRCUIT



10 ~ 12極形状
VIEW OF 10~12 CIRCUIT



14 ~ 40極形状
VIEW OF 14~40 CIRCUIT

△ 製品一覧 PRODUCT LIST

黒 : BLACK	ナチュラル : NATURAL (白 : WHITE)	色 COLOR
503091 4021	503091 4020	40
▲ 3821	▲ 3820	38
3621	3620	36
3421	3420	34
3221	3220	32
3021	3020	30
2821	2820	28
2621	2620	26
2421	2420	24
2221	2220	22
2021	2020	20
1821	1820	18
1621	1620	16
1421	1420	14
▼ 1221	▼ 1220	12
503091 1021	503091 1020	10
発注番号 ORDER No.		極数
PACKAGING STYLE : TRAY		CIRCUIT SIZE

THIS DRAWING CONTAINS INFORMATION THAT IS PROPRIETARY TO MOLEX ELECTRONIC TECHNOLOGIES, LLC AND SHOULD NOT BE USED WITHOUT WRITTEN PERMISSION									
DIMENSION UNITS	SCALE	CURRENT REV DESC:							
mm	NTS	<div style="text-align: center;">molex</div> IGRID 2.0 PLUG ASSEMBLY VERTICAL GOLD PLATING PRODUCT CUSTOMER DRAWING							
GENERAL TOLERANCES (UNLESS SPECIFIED)									
ANGULAR TOL	± 3.0 °	EC NO: 732484	DOCUMENT NUMBER						
4 PLACES	± 0.2	DRWN: SNAKAMURA08	2022/12/15	5030910000-SD					
3 PLACES	± 0.2	CHK'D: KOMURAKAMI	2023/03/03	DOC TYPE	DOC PART	REVISION	PSD 000 D		
2 PLACES	± 0.2	APPR: SAKIYAMA	2023/03/03	CUSTOMER					
1 PLACE	± 0.2	INITIAL REVISION:		GENERAL					
0 PLACES	± 0.2	DRWN: SNAKAMURA08	2018/03/15	SHEET NUMBER					
DRAFT WHERE APPLICABLE MUST REMAIN WITHIN DIMENSIONS		THIRD ANGLE PROJECTION	DRAWING	SERIES	MATERIAL NUMBER	CUSTOMER			SHEET NUMBER
			A3-SIZE	503091	SEE CHART	GENERAL			3 OF 3