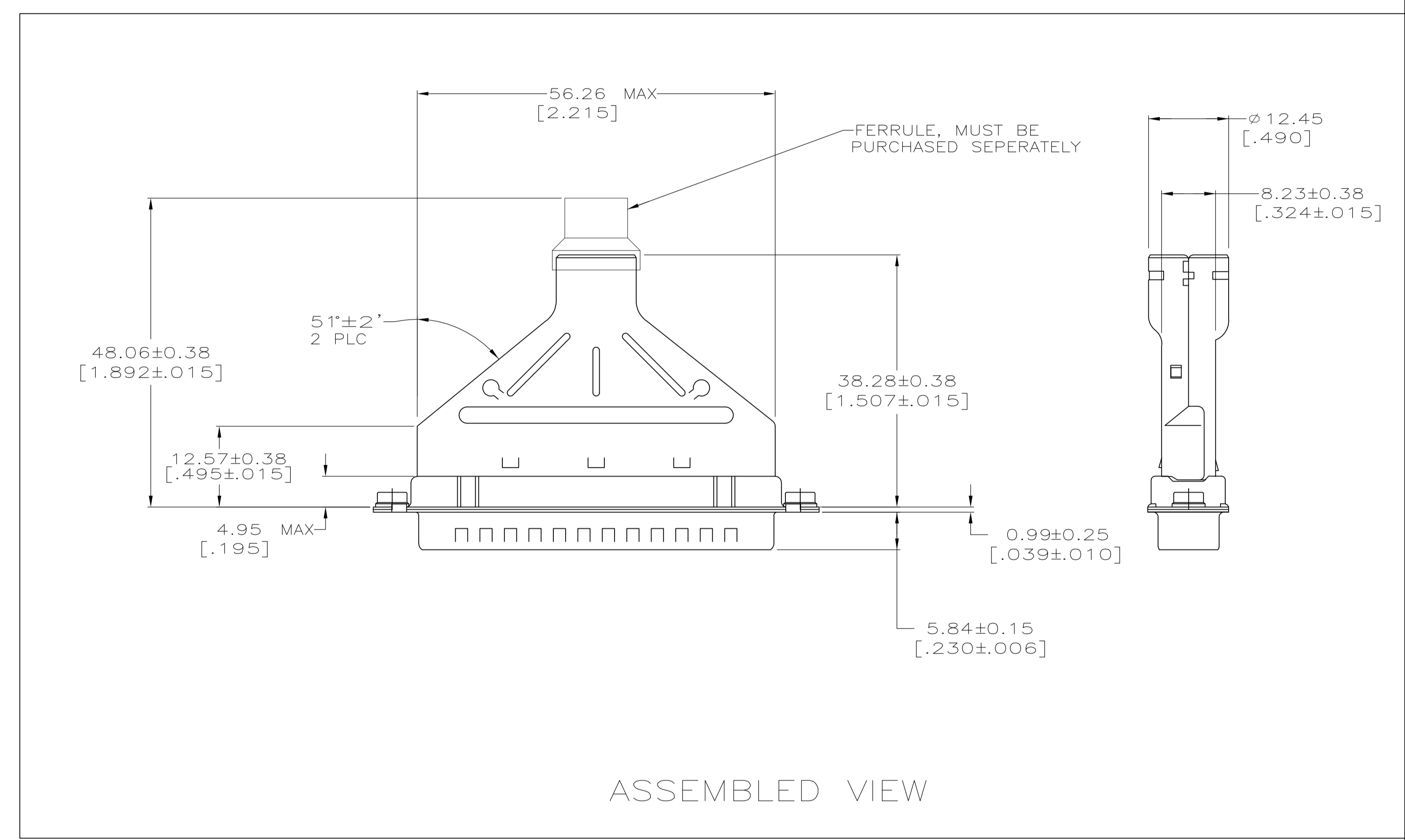
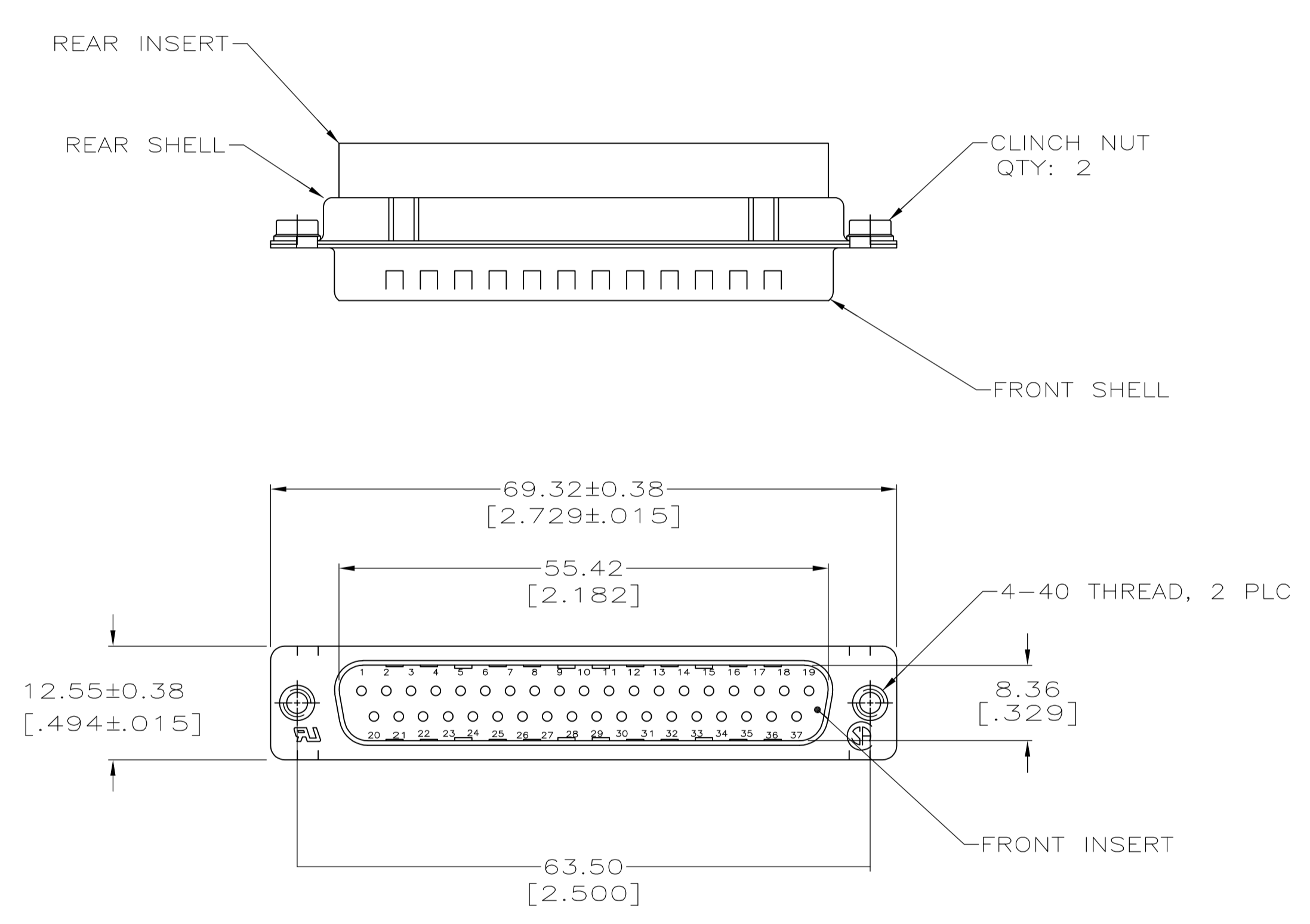
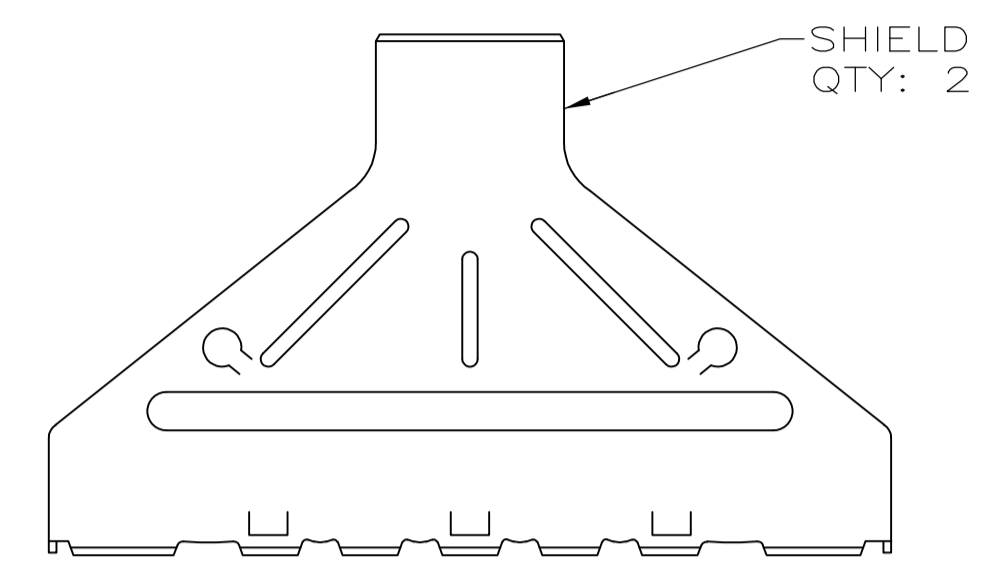


LOC		DIST		REVISIONS			
GP	00	REV	DATE	BY	APP	REV	DATE
A		REVISED PER ECO-14-011808	12AUG2014	AP	SB		



- 1 SHELLS, SHIELDS & CLINCH NUTS: CARBON STEEL.
- 2 SHELLS & SHIELDS: 5.08µm [.000200] MIN TIN OVER 2.54µm [.000100] MIN COPPER.
- 3 INSERTS: GLASS-FILLED PBT OR GLASS-FILLED NYLON, UL94V-0 RATED. COLOR: BLACK.
- 4 CLINCH NUTS: ZINC PLATED, YELLOW CHROMATE.

5786929-1
PART NO

THIS DRAWING IS A CONTROLLED DOCUMENT.		DIN G. ATTADIA - 11-11-04	TE Connectivity	
DIMENSIONS: INCHES		CHK J. GFRACE 11-11-04	APVD M. WALMSLEY 11-11-04	
TOLERANCES UNLESS OTHERWISE SPECIFIED:		NAME PLUG KIT, UNASSEMBLED, SIZE 4, 108-40005 & 108-40030		
0 PLC ± -	1 PLC ± -	PRODUCT SPEC		
2 PLC ± 0.13 [.005]	3 PLC ± -	APPLICATION SPEC		
4 PLC ± -	ANGLES ± -	114-40030		
MATERIAL	FINISH	SIZE	CAGE CODE	DRAWING NO
1 3	2 4	A1	00779	5786929
RESTRICTED CUSTOMER		SCALE	SHEET	REV
		4:1	1 of 1	A