

TECHNICAL CHARACTERISTICS

MATERIAL
 INSULATOR MATERIAL: PBT
 FLAMMABILITY RATING: UL94-V0
 COLOR: BLACK
 CONTACT MATERIAL: COPPER ALLOY
 CONTACT TYPE: STAMPED
 CONTACT PLATING: GOLD
 QUALITY CLASS: 500 MATING CYCLES

ENVIRONMENTAL
 OPERATING TEMPERATURE: -40 °C UP TO 85 °C
 COMPLIANCE: LEAD FREE AND ROHS

ELECTRICAL
 CURRENT RATING: 1.5 A
 WORKING VOLTAGE: 120 VAC
 INSULATION RESISTANCE: >500 MΩ
 DIELECTRIC WITHSTANDING VOLTAGE: 1 000 VAC/MIN
 CONTACT RESISTANCE: 20 mΩ MAX

STANDARD
 CERTIFIED: E324776

SOLDERING
 JEDEC LEAD FREE WAVE SOLDERING PROCESS

PACKAGING
 TRAY

RoHS Compliant			
G	19-JAN-17	SHIELDING	AK
F	28-JUL-14	GENERAL UPDATE	AS
E	28-JUL-14	GENERAL UPDATE	AS
D	03-JAN-13	TPK DWG ADD	QL
C	27-SEP-13	TEMP UPDATE	QL
B	07-OCT-09	UL STANDARD	JP
A	01-OCT-08	PDF	CH
REV	DATE	FILE	BY

PROJECTION:	
APPROVAL: JTs	

GENERAL TOLERANCE
.X= +/- 0.2
.XX= +/- 0.15

UNIT: MM
SCALE:
SHEET: 1/3
DRAW:

	DESCRIPTION: HORIZONTAL PLASTIC 6P6C MODULAR JACK TAB DOWN
	WERI PART NO: 615 006 141 121

SIZE
A4

1

2

3

4

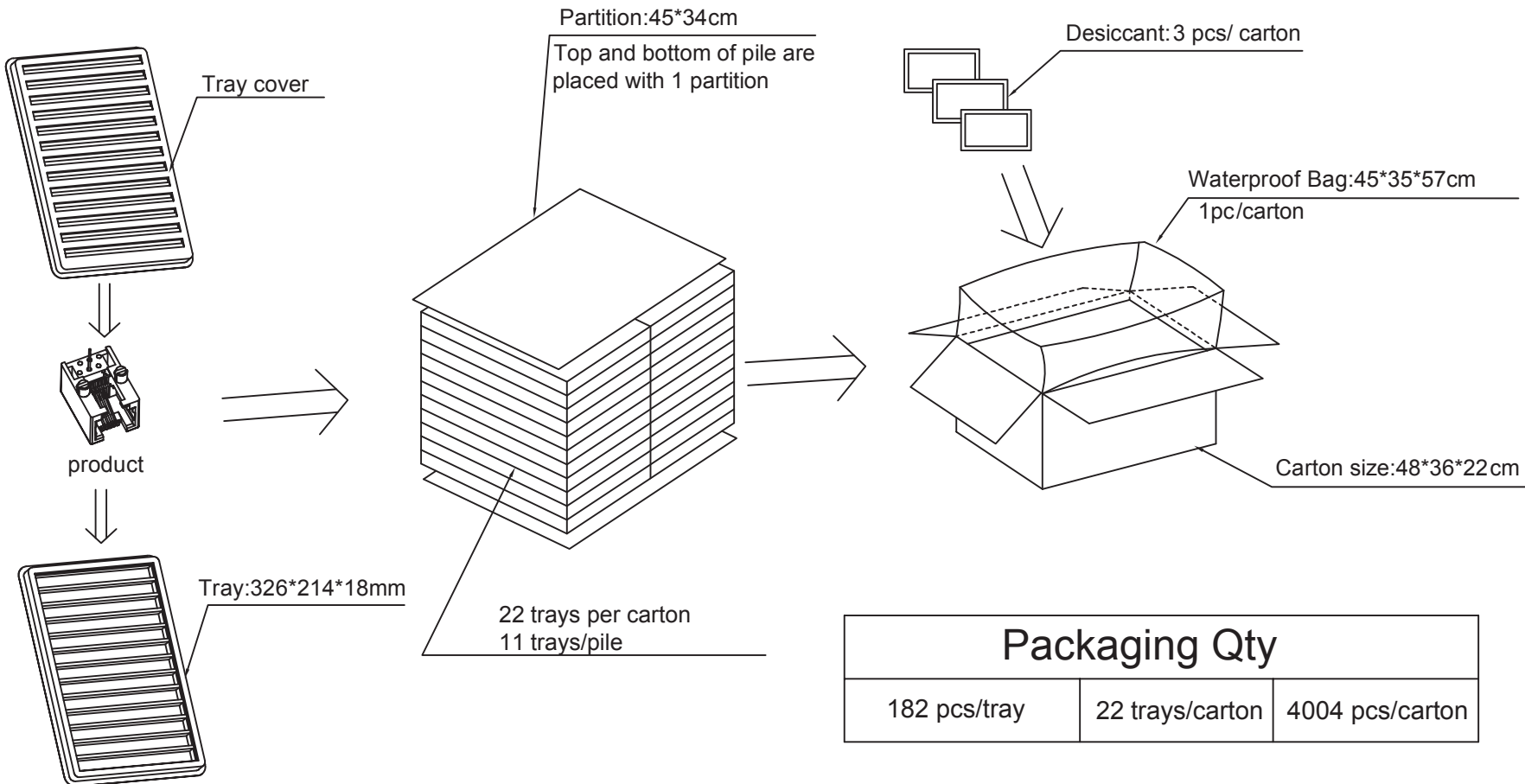
5

A

B

C

D



Packaging Qty		
182 pcs/tray	22 trays/carton	4004 pcs/carton

RoHS Compliant			
G			
F			
E			
D			
C			
B			
A			
REV	DATE	FILE	BY

PROJECTION:

GENERAL TOLERANCE
.X = +/- 0.2
.XX = +/- 0.15



APPROVAL: JTs

UNIT: MM
SCALE:
SHEET: 2/3
DRAW:

DESCRIPTION: HORIZONTAL PLASTIC 6P6C MODULAR JACK TAB DOWN
WERI PART NO: 615 006 141 121

SIZE
A4

1

2

3

4

5

Cautions and Warnings:

This electronic component is designed and developed with the intention for use in general electronics equipments.

Before incorporating the components into any equipments in the field such as aerospace, aviation, nuclear control, submarine, transportation, (automotive control, train control, ship control), transportation signal, disaster prevention, medical, public information network etc. where higher safety and reliability are especially required or if there is possibility of direct damage or injury to human body, Würth Elektronik must be asked for a written approval.

In addition, even electronic component in general electronic equipments, when used in electrical circuits that require high safety, reliability functions or performance, the sufficient reliability evaluation-check for the safety must be performed before by the user before usage.

A

B

C

RoHS Compliant

G				PROJECTION: 	GENERAL TOLERANCE .X = +/- 0.2 .XX = +/- 0.15		
F							
E							
D							
C				APPROVAL: JC	UNIT: MM	DESCRIPTION: DISCLAIMER	SIZE A4
B					SCALE:		
A	10-SEP-14	PDF	QL		SHEET: 3/3	WERI PART NO: DISCLAIMER	
REV	DATE	FILE	BY		DRAW: QL		

D