



LAYOUT SHOWN AS EXAMPLE

Keying Shown as example

CHARACTERISTICS

- Standard : Based on MIL-DTL-38999 Series III
- Shell Material : Stainless Steel
- Shell Plating : Nickel
- Insulator : Thermoplastic
- Contacts : Copper Alloy
- Seals & Grommet : Silicon Elastomer
- Contact Plating : Gold over copper Alloy 0.8µm minimum
- Durability : 500 Mating cycles
- Delivered with Souriau contacts and Accessories
- Temperature Range : -65°C to +200°C
- Salt Spray : 500 hours

| Connector dimension | |
|---------------------|-----------------|
| Dim | Nominal |
| A | 58.7±0.3 |
| B | 42.85+0.1/-0.15 |
| R | 32.5Max |
| S | 55.6±0.4 |
| W | 3+0.9/-0.1 |
| VV THREAD | M37x1-6g |

SOURIAU shall not be liable for any non-conformity or damage due to a use of the Products which does not comply with the Specifications issued by either of the Parties or by a third party (professional recommendation, technical notice.)

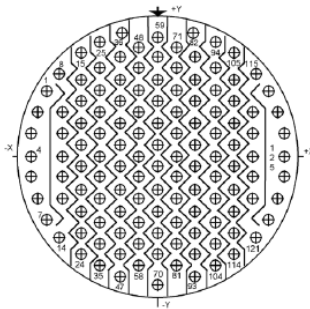
| | |
|---------|-----------------------------|
| Country | Jurisdiction & Control List |
| FR | Not Listed |

PN: 8D725S35SB

| | | | |
|--------------|---|--------------------------------|---|
| A | 04-10-2016 | First Release | |
| ISS | DATE | Latest modification - by | MOD N° |
| Designed By: | | Date: | CUSTOMER DRAWING |
| TITLE | Stainless Steel Receptacle 8D series | | |
| SCALE | | General linear Tolerances: ±-- | NPRDS / PROJECT 859 |
| NA | SOURIAU WWW.SOURIAU.COM | | This document is the property of SOURIAU it must not be reproduced or communicated without permission |
| FORMAT | A3 | | SOURIAU DRG N° 8D725S35SB-C SHEET 1/2 |

| | | | | | | | | | |
|----------------|------------------------------------|---|---|----|---|----|---|---|-----------------|
| BASIC SERIES: | 8D | 7 | - | 25 | S | 35 | S | B | ORIENTATION : B |
| SHELL TYPE : | Jam nut Receptacle | | | | | | | | |
| CONTACT TYPE : | Standard Crimp Contact | | | | | | | | |
| SHELL SIZE : | 25 | | | | | | | | |
| PLATING : | S = Nickel | | | | | | | | |
| | CONTACT TYPE : SOCKET(500 Matings) | | | | | | | | |
| | CONTACT LAYOUT : 25-35 | | | | | | | | |

Contact Layout



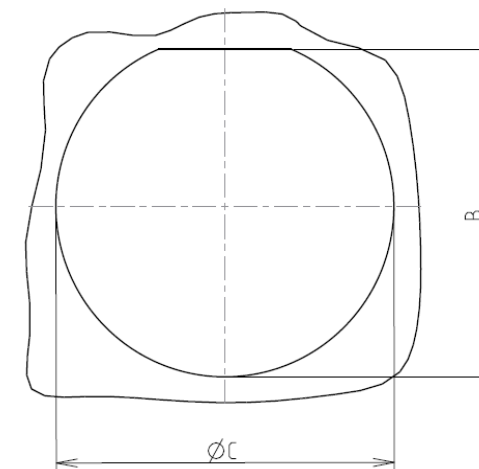
| Contacts (Insert arrangement 25-35) | | | | | |
|--|---------------|---------------|---------------------|--------------|---------------|
| Contact position ID | Location | | Contact position ID | Location | |
| | X-axis (mm) | Y-axis (mm) | | X-axis (mm) | Y-axis (mm) |
| 1 | -479 (12.17) | +279 (7.09) | 65 | +000 (0.00) | -.047 (1.19) |
| 2 | -520 (13.21) | +190 (4.83) | 66 | +000 (0.00) | -.142 (3.61) |
| 3 | -.546 (13.87) | +095 (2.41) | 67 | +000 (0.00) | -.237 (6.02) |
| 4 | -.555 (14.10) | +000 (0.00) | 68 | +000 (0.00) | -.332 (8.43) |
| 5 | -.546 (13.87) | -.095 (2.41) | 69 | +000 (0.00) | -.427 (10.85) |
| 6 | -.520 (13.21) | -.190 (4.83) | 70 | +000 (0.00) | -.555 (14.10) |
| 7 | -.479 (12.17) | -.279 (7.09) | 71 | +083 (2.11) | +475 (12.07) |
| 8 | -.424 (10.77) | +357 (9.07) | 72 | +083 (2.11) | +380 (9.65) |
| 9 | -.415 (10.54) | +190 (4.83) | 73 | +083 (2.11) | +285 (7.24) |
| 10 | -.415 (10.54) | +095 (2.41) | 74 | +083 (2.11) | +190 (4.83) |
| 11 | -.415 (10.54) | 000 (0.00) | 75 | +083 (2.11) | +095 (2.41) |
| 12 | -.415 (10.54) | -.095 (2.41) | 76 | +083 (2.11) | +000 (0.00) |
| 13 | -.415 (10.54) | -.190 (4.83) | 77 | +083 (2.11) | -.095 (2.41) |
| 14 | -.424 (10.77) | -.357 (9.07) | 78 | +083 (2.11) | -.190 (4.83) |
| 15 | -.332 (8.43) | +444 (11.28) | 79 | +083 (2.11) | -.285 (7.24) |
| 16 | -.332 (8.43) | +332 (8.43) | 80 | +083 (2.11) | -.380 (9.65) |
| 17 | -.332 (8.43) | +237 (6.02) | 81 | +083 (2.11) | -.475 (12.07) |
| 18 | -.332 (8.43) | +142 (3.61) | 82 | +160 (4.06) | +531 (13.49) |
| 19 | -.332 (8.43) | +047 (1.19) | 83 | +166 (4.22) | +427 (10.85) |
| 20 | -.332 (8.43) | -.047 (1.19) | 84 | +166 (4.22) | +332 (8.43) |
| 21 | -.332 (8.43) | -.142 (3.61) | 85 | +166 (4.22) | +237 (6.02) |
| 22 | -.332 (8.43) | -.237 (6.02) | 86 | +166 (4.22) | +142 (3.61) |
| 23 | -.332 (8.43) | -.332 (8.43) | 87 | +166 (4.22) | +047 (1.19) |
| 24 | -.332 (8.43) | -.427 (10.85) | 88 | +166 (4.22) | -.047 (1.19) |
| 25 | -.249 (6.32) | +496 (12.60) | 89 | +166 (4.22) | -.142 (3.61) |
| 26 | -.249 (6.32) | +380 (9.65) | 90 | +166 (4.22) | -.237 (6.02) |
| 27 | -.249 (6.32) | +285 (7.24) | 91 | +166 (4.22) | -.332 (8.43) |
| 28 | -.249 (6.32) | +190 (4.83) | 92 | +166 (4.22) | -.427 (10.85) |
| 29 | -.249 (6.32) | +095 (2.41) | 93 | +166 (4.22) | -.522 (13.26) |
| 30 | -.249 (6.32) | +000 (0.00) | 94 | +249 (6.32) | +496 (12.60) |
| 31 | -.249 (6.32) | -.095 (2.41) | 95 | +249 (6.32) | +380 (9.65) |
| 32 | -.249 (6.32) | -.190 (4.83) | 96 | +249 (6.32) | +285 (7.24) |
| 33 | -.249 (6.32) | -.285 (7.24) | 97 | +249 (6.32) | +190 (4.83) |
| 34 | -.249 (6.32) | -.380 (9.65) | 98 | +249 (6.32) | +095 (2.41) |
| 35 | -.249 (6.32) | -.475 (12.07) | 99 | +249 (6.32) | +000 (0.00) |
| 36 | -.166 (4.22) | +531 (13.49) | 100 | +249 (6.32) | -.095 (2.41) |
| 37 | -.166 (4.22) | +427 (10.85) | 101 | +249 (6.32) | -.190 (4.83) |
| 38 | -.166 (4.22) | +332 (8.43) | 102 | +249 (6.32) | -.285 (7.24) |
| 39 | -.166 (4.22) | +237 (6.02) | 103 | +249 (6.32) | -.380 (9.65) |
| 40 | -.166 (4.22) | +142 (3.61) | 104 | +249 (6.32) | -.475 (12.07) |
| 41 | -.166 (4.22) | +047 (1.19) | 105 | +332 (8.43) | +444 (11.28) |
| 42 | -.166 (4.22) | -.047 (1.19) | 106 | +332 (8.43) | +332 (8.43) |
| 43 | -.166 (4.22) | -.142 (3.61) | 107 | +332 (8.43) | +237 (6.02) |
| 44 | -.166 (4.22) | -.237 (6.02) | 108 | +332 (8.43) | +142 (3.61) |
| 45 | -.166 (4.22) | -.332 (8.43) | 109 | +332 (8.43) | +047 (1.19) |
| 46 | -.166 (4.22) | -.427 (10.85) | 110 | +332 (8.43) | -.047 (1.19) |
| 47 | -.166 (4.22) | -.522 (13.26) | 111 | +332 (8.43) | -.142 (3.61) |
| 48 | -.083 (2.11) | +475 (12.07) | 112 | +332 (8.43) | -.237 (6.02) |
| 49 | -.083 (2.11) | +380 (9.65) | 113 | +332 (8.43) | -.332 (8.43) |
| 50 | -.083 (2.11) | +285 (7.24) | 114 | +332 (8.43) | -.427 (10.85) |
| 51 | -.083 (2.11) | +190 (4.83) | 115 | +424 (10.77) | +357 (9.07) |
| 52 | -.083 (2.11) | +095 (2.41) | 116 | +415 (10.54) | +190 (4.83) |
| 53 | -.083 (2.11) | +000 (0.00) | 117 | +415 (10.54) | +095 (2.41) |
| 54 | -.083 (2.11) | -.095 (2.41) | 118 | +415 (10.54) | +000 (0.00) |
| 55 | -.083 (2.11) | -.190 (4.83) | 119 | +415 (10.54) | -.095 (2.41) |
| 56 | -.083 (2.11) | -.285 (7.24) | 120 | +415 (10.54) | -.190 (4.83) |
| 57 | -.083 (2.11) | -.380 (9.65) | 121 | +424 (10.77) | -.357 (9.07) |
| 58 | -.083 (2.11) | -.475 (12.07) | 122 | +479 (12.17) | +279 (7.09) |
| 59 | +000 (0.00) | +522 (13.26) | 123 | +520 (13.21) | +190 (4.83) |
| 60 | +000 (0.00) | +427 (10.85) | 124 | +546 (13.87) | +095 (2.41) |
| 61 | +000 (0.00) | +332 (8.43) | 125 | +555 (14.10) | +000 (0.00) |
| 62 | +000 (0.00) | +237 (6.02) | 126 | +546 (13.87) | -.095 (2.41) |
| 63 | +000 (0.00) | +142 (3.61) | 127 | +520 (13.21) | -.190 (4.83) |
| 64 | +000 (0.00) | +047 (1.19) | 128 | +479 (12.17) | -.279 (7.09) |

(Applicable to MIL-DTL-38999 only)

| Shell size | Arrangement no. | Number of contacts | Size contacts | Service rating | Contact location | Supersedes |
|------------|-----------------|--------------------|---------------|----------------|------------------|------------|
| 25 | -35 | 128 | 22D | M | All | MS27533-35 |

Panel cutout

JAM NUT RECEPTACLE (TYPE 7)



| Dim | Nominal |
|-----|---------------|
| B | 43.43+0/-0.25 |
| ØC | 44.7+0.25/-0 |

SOURIAU shall not be liable for any non-conformity or damage due to a use of the Products which does not comply with the Specifications issued by either of the Parties or by a third party (professional recommendation, technical notice.)

| Country | Jurisdiction & Control List |
|---------|-----------------------------|
| FR | Not Listed |

PN: 8D725S35SB

| | | | |
|---|------------|--------------------------------------|---------------------|
| A | 04-10-2016 | First Release | |
| ISS | DATE | Latest modification - by | MOD N° |
| Designed By: | | Date: | CUSTOMER DRAWING |
| TITLE | | Stainless Steel Receptacle 8D series | |
| SCALE | NA | General linear Tolerances: ±-- | NPRDS / PROJECT 859 |
| SOURIAU | | WWW.SOURIAU.COM | |
| FORMAT | | SOURIAU DRG N° 8D725S35SB-C | |
| A3 | | SHEET 2/2 | |
| This document is the property of SOURIAU it must not be reproduced or communicated without permission | | | |