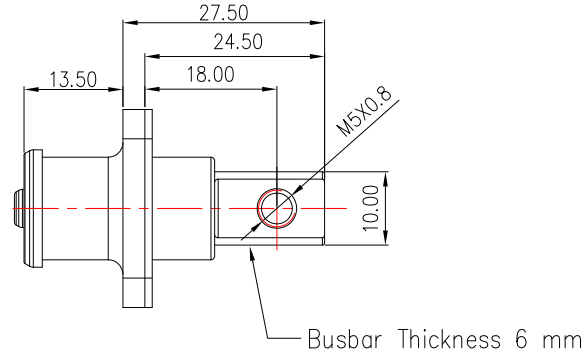
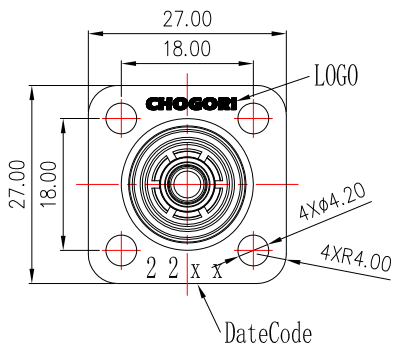
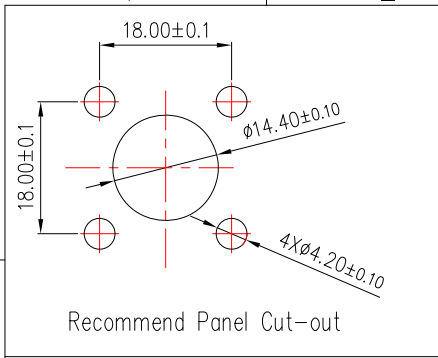


THIS INFORMATION IS CONFIDENTIAL AND IS DISCLOSED TO YOU ON CONDITION THAT NO FURTHER DISCLOSURE IS MADE BY YOU TO OTHER THAN CHOGORI PERSONNEL WITHOUT AUTHORIZATION FROM CHOGORI CORP.

REV.	ECN NO.	DESCRIPTION	SIGN	DATE
C1		Initial Drawing	Robin	2022/05/30



- Specification:
- 1.Operation Temperature: -40°C~85°C.
 - 2.Insulation Resistance:100MΩ at DC500V.
 - 3.Contact Resistance:<0.5mΩ.
 - 4.Operating Current:120A MAX
 - 5.Operating Voltage:1000V DC
 - 6.Waterproof Rate:IP66 (Mated)
 - 7.Plastic Body:Nylon
 - 8.Male Pin:Copper Alloy, Ag Plated, Busbar
 - 9.Seal Ring:Silicon
 - 10.Busbar Screw:M5*0.8
 - 11.Busbar Thickness 6mm
 - 12.P/N: 901-03085-00 Orange
P/N: 901-03086-00 Black
 - 13.RoHS Compliant.

DateCode:

22 xx

Year: 22=2022
23=2023
...

Week: 01=Week First,
02=Week Two,
...

UNIT: mm		DESCRIPTION	CHOGORI		PART NO	DRAWN BY	DATE
TOLERANCE		NS06 Panel Receptacle			901-0308X-00	Robin	2022/05/30
.X ±0.50 .XX ±0.20 .XXX ±0.10 ANGLES ±1°	SCALE: 1:1	SHEET 1 OF 1	DWG NO	CHECKED BY	DATE		
REV. C1	SIZE A4	* :Inspection Item	CUSTOMER	APPROVED BY	DATE		
				Panson	2022/05/30		