



**Electrical specifications**

**Center frequency:** 1402.5 MHz  
**1 dB Bandwidth:** 1390-1415 MHz  
**Insertion loss @CF:**  $\leq 1.25$  dB  
**Rejection 1:**  $\geq 20$  dB @ 1425 MHz  
**Rejection 2:**  $\geq 20$  dB @ 1380 MHz  
**Rejection 3:**  $\geq 30$  dB @ 1435 MHz  
**Rejection 4:**  $\geq 30$  dB @ 1370 MHz  
**Power handling:** 5 Watts

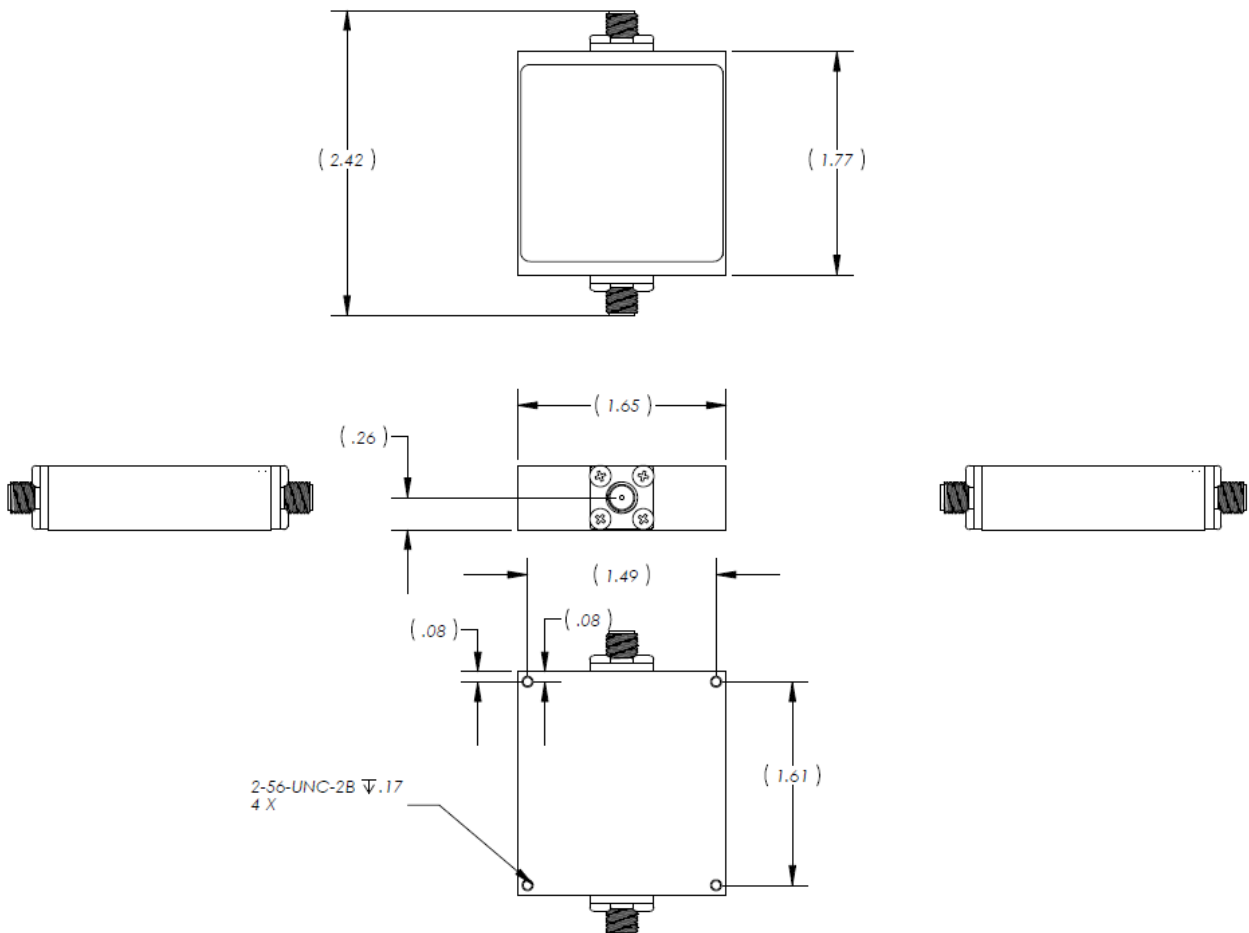
**Mechanical**

**Mounting Method:** 2-56 Threaded Mounting Holes  
**Connector Type:** SMA Female  
**Dimensions:** 2.42" X 1.77" X 1.65" in

**Environmental**

**Operating Temperature:** -45 to +85° C  
**Storage Temperature:** -55 to +95° C  
**Shock:** 20 G. 11ms  
**Vibration:** 20 G. 5 to 200 MHz

**Outline Drawing:**





### Plot:

