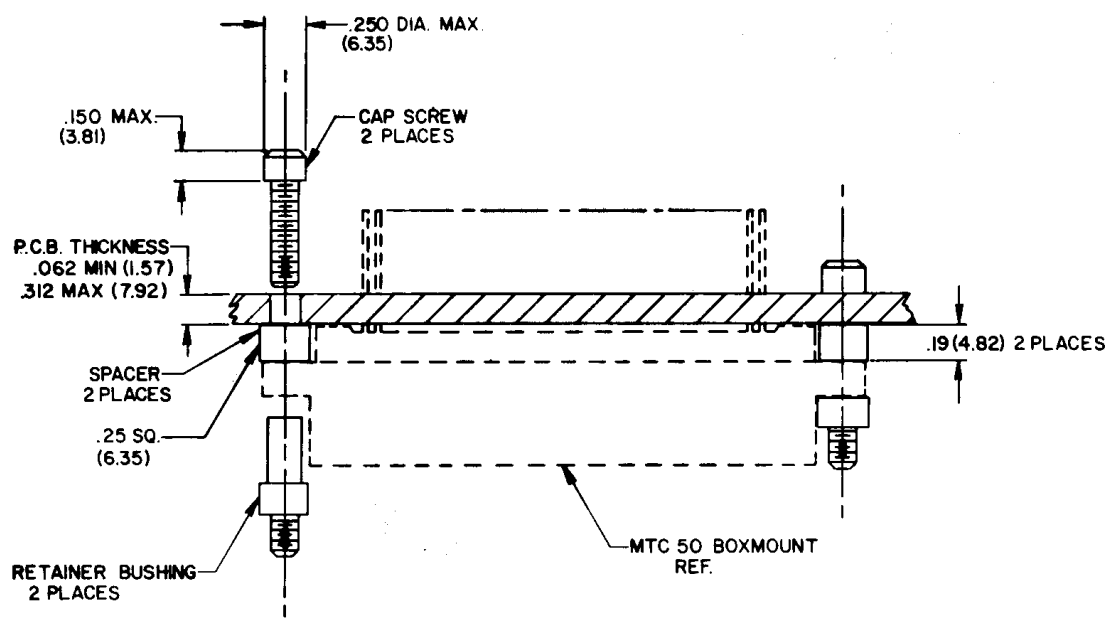


REVISIONS			
LTR	DESCRIPTION	DATE	APPROVED
N/C	INITIAL RELEASE PER ECN#T-6850	6/7/86	M. Higgy
A	REVISED PER DCR# T-22774	12/15/99	M.HIGGY



NOTES

1. THIS HARDWARE KIT IS USED TO MOUNT THE MTC 50 BOXMOUNT TO A PRINTED CIRCUIT BOARD.
2. ITEMS ARE SHIPPED UNASSEMBLED IN A PLASTIC BAG.
3. FINISH:
 - A. RETAINER BUSHING CADMIUM PLATED PER QQ-P-416
 - B. CAP SCREW CADMIUM PLATED PER QQ-P-416
4. MATERIAL:
 - A. RETAINER BUSHING SS 300 SERIES PER QQ-S-763
 - B. CAP SCREW SS 300 SERIES PER QQ-S-763
 - C. SPACER NYLON
5. TOLERANCE: ± UNLESS OTHERWISE SPECIFIED
 .XX = .02 (.51)

SPECIFICATION CONTROL DRAWING © Raychem Corporation 1982

DRAWN	LUTTICKEN	7-29-86	 <small>RAYCHEM CORPORATION 300 CONSTITUTION DRIVE MENLO PARK, CALIFORNIA 94025</small>
CHECKED	<i>[Signature]</i>	7/21/86	
APPROVED	<i>[Signature]</i>	7/31/86	
APPROVED			
UNLESS OTHERWISE SPECIFIED DIMENSIONS ARE IN INCHES. METRIC DIMENSIONS ARE IN PARENTHESIS			TITLE P.C. BOARD MOUNTING KIT FOR MTC 50, BOXMOUNT CONNECTORS
DO NOT SCALE THIS DRAWING			SIZE CODE IDENT NO DWG NO C 06090 CHA-0047-003
			WEIGHT SHEET OF

**If this document is printed it becomes uncontrolled.
 Check with the web for latest revision.**