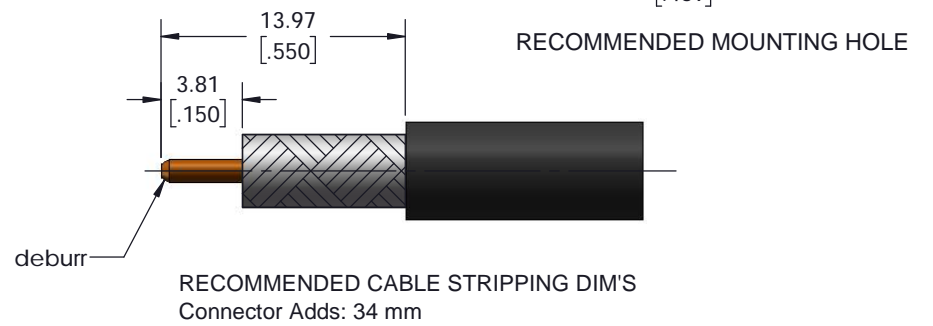
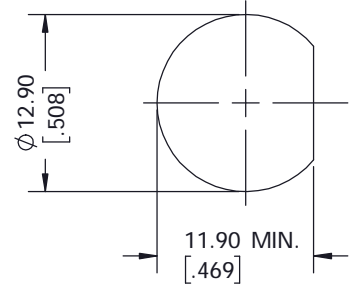
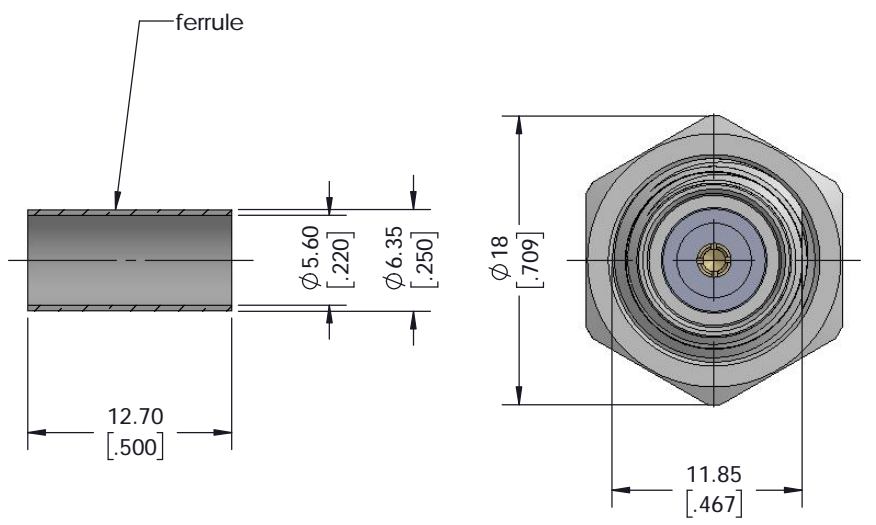
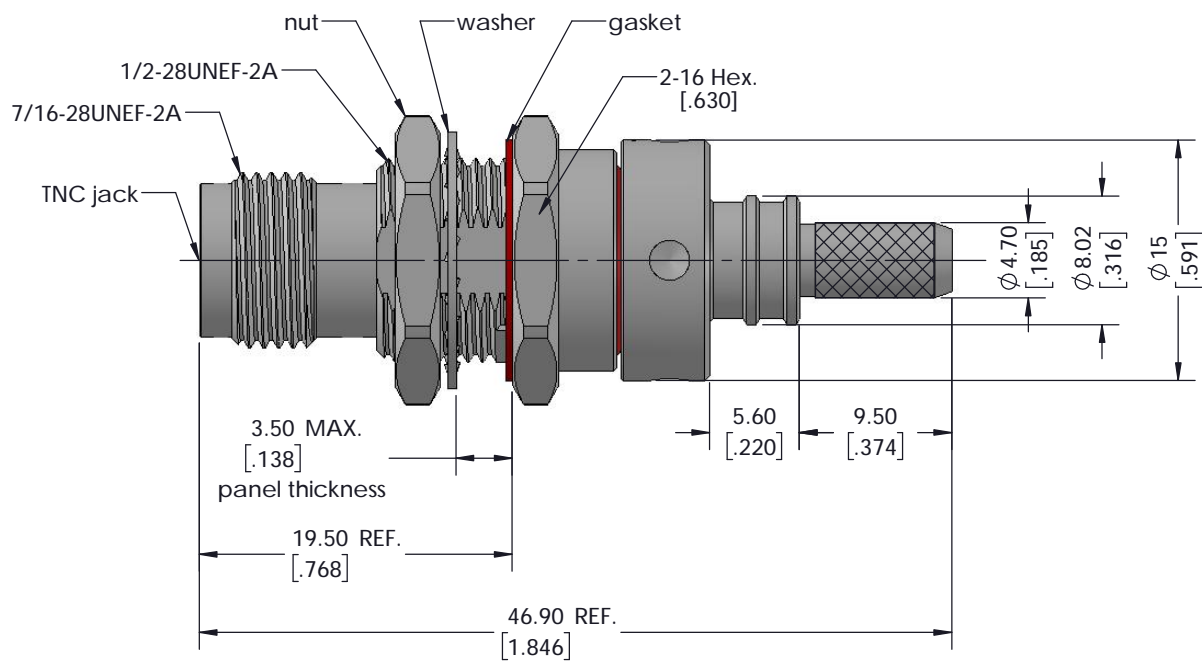


8 7 6 5 4 3 2 1
 NOTICE OF PROPRIETARY RIGHTS: THIS DOCUMENT CONTAINS CONFIDENTIAL DATA, INCLUDING TRADE SECRETS, PROPRIETARY TO TIMES MICROWAVE SYSTEMS. DISCLOSURE OF THIS DATA IS EXPRESSLY CONDITIONED UPON YOUR ASSENT THAT ITS USE IS LIMITED TO USE WITHIN YOUR COMPANY ONLY. ANY OTHER USE IS STRICTLY PROHIBITED WITHOUT THE PRIOR WRITTEN CONSENT OF TIMES MICROWAVE SYSTEMS.

VER	Description	ECN	Name	Date
A	Initial Released	N/A	Patrick	2018/10/20



I. MATERIALS & FINISHES

Component	Material	Finishes	Thk. (u")
Body	Brass	Sn-Ni	100
Contact Pin	Beryllium Copper	Gold	50
Insulator	PTFE	--	--
Nut/Washer	Brass	Sn-Ni	100
Ferrule	Brass	Sn-Ni	100
Gasket	Silicone Rubber	--	--

II. ELECTRICAL PROPERTIES

Impedance (Ω):	50
Frequency Range (GHz):	DC~8 GHz
Dielectric Withstanding Voltage (V r.m.s):	1500
Insulation Resistance (M Ω):	\geq 5000
VSWR:	\leq 1.30 (DC~6 GHz)
	\leq 1.35 (6~8 GHz)
Insertion Loss (dB, f / GHz):	-0.1 x sqrt (f)

III. ENVIRONMENTAL PROPERTIES

Temperature Range:	-40 $^{\circ}$ C~+125 $^{\circ}$ C
Thermal Shock:	MIL-STD-202, Meth. 107, Cond. B
Vibration:	MIL-STD-202, Meth. 204, Cond. B
Shock:	MIL-STD-202, Meth. 213, Cond. G
Climatic Class:	IEC 60068 55/155/21
RoHS:	Compliant

IV. MECHANICAL PROPERTIES

Center Conductor:	Spring Finger
Outer Conductor:	Crimp
Couping Nut Torque (in-lbs):	4.1~6.1
Cable-Connector Retention Force (lbs):	40
Durability (Cycles):	500

V. Tooling & Accessories
 Stripping Tool: 3192-102/CST-195/200
 Crimping Tool: 3190-667/CT-240/200/195/100
 Heat Shrink Tube: 3/8"x1" (3:1) 1 pcs

Compatible with Standard: IEC 60169-17

UNLESS OTHERWISE SPECIFIED		DFTM Patrick	 TIMES MICROWAVE SYSTEMS An Amphenol Company EZ-195/200-TF-BH-X TNC Female (Jack) Straight Non-Solder Pin No Braid Trim Bulkhead Connector for LMR-195/200 Cable
ALL DIMENSIONS ARE IN mm	MACHINED SURFACES FINISH 1.6 RMS MAX.	DATE 2018/10/20	
REMOVE ALL BURRS 0.15X45 $^{\circ}$ MAX. BREAK	MACHINE CORNERS 0.15X45 $^{\circ}$ D MAX. FILLET	CHKD Monica	
R. TOLERANCES ON DECIMALS	.X \pm 0.1 .XX \pm 0.05	DATE 2018/10/20	
ANGLES \pm 2 $^{\circ}$ FRACTIONS \pm N/A		APPD Joslen	
Scale: 3:1	Size: A3	DATE 2018/10/20	SHT 1/1
CODE IDENT 68999			3190-8004
			REV A