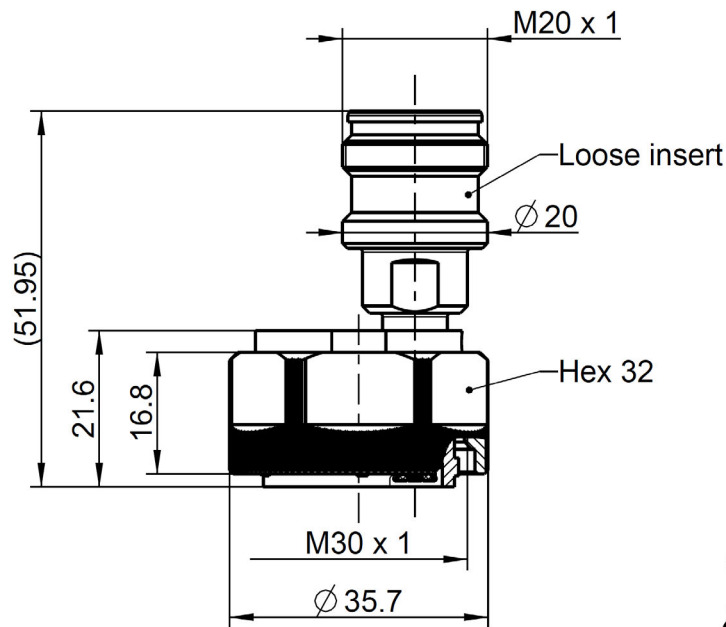


MQ5

Adapter
MQ5 Plug – 4.3-10 Jack

MQ5S164-K01N1



All dimensions are in mm; tolerances according to ISO 2768 m-H

Interface

According to	MQ5 side:	IEC 63138
	4.3-10 side:	IEC 61169-54

Documents

N/A

Material and Plating

Connector parts

		Material	Plating
Center contact		CuBe	Silver, 3-6 µm
Outer contact	MQ side	CuBe	White bronze(e.g. Optalloy®)
Body	MQ side	Brass	White bronze(e.g. Optalloy®)
Outer contact	4.3-10 side	CuBe	Silver, 3-6 µm
Body	4.3-10 side	Brass	White bronze(e.g. Optalloy®)
Dielectric		PTFE	
Coupling nut		Brass	NiSn plating or equivalent

Dieses Dokument ist urheberrechtlich geschützt • This document is protected by copyright • Rosenberger Hochfrequenztechnik GmbH & Co. KG

RF_35/09_14/6.2

MQ5

Adapter
MQ5 Plug – 4.3-10 Jack

MQ5S164-K01N1

Electrical Data

Impedance	50 Ω
Frequency	DC to 6 GHz
Return loss	≥ 36 dB, DC to 2.7 GHz ≥ 34 dB, 2.7 to 4 GHz ≥ 26 dB, 4 to 6 GHz
Insertion loss	≤ 0.05 x √f(GHz) dB
Insulation resistance	≥ 5 x10 ³ MΩ
Center contact resistance	≤ 3 mΩ
Outer contact resistance	≤ 2 mΩ
Test voltage (at sea level)	1000 V rms
Working voltage (at sea level)	500 V rms
Power handling (at 20 °C, sea level, VSWR 1.0)	150 W @ 2 GHz, cw
RF-leakage	≥ 90 dB up to 3 GHz ≥ 70 dB 3 to 6 GHz
Intermodulation (3 rd order)	≤ -123 dBm @ 2 x 20 W, DC to 2,7 GHz

Mechanical Data

	MQ	4.3-10
Mating cycles	≥ 1000	≥ 100
Center contact captivation: axial	≥ 25 N	≥ 30 N
radial	N/A	> 5 Ncm
Recommended torque	25 Nm to 30 Nm	5 Nm

Environmental Data

Temperature range	-45°C to +85°C
Thermal Shock	IEC 61169 9.4.2 and 9.4.4 (-40°C~85°C, 7x24h)
Corrosion resistance	IEC 60068-2-11, 720 h
Humidity temperature cycle	IEC 60068-2-30
Temperature life	EIA 364-17, 250H @ 125 °C
Vibration	IEC 61169-1 9.3.3
Shock	IEC 61169-1 9.3.14
RoHS	compliant

Suitable Cables

N/A

Weight

121 g/pce

While the information has been carefully compiled to the best of our knowledge, nothing is intended as representation or warranty on our part and no statement herein shall be construed as recommendation to infringe existing patents. In the effort to improve our products, we reserve the right to make changes judged to be necessary.

For the installation of the electrotechnical equipment, particular electrotechnical expertise is required.



Draft	Date	Approved	Date	Rev.	Engineering change number	Name	Date
Rong Fang	17.10.2019	M. Wimmer	17.12.2021	a00	21-s046	Fl. Öllerer	17.12.2021

Rosenberger Hochfrequenztechnik GmbH & Co. KG P.O.Box 1260 D-84526 Tittmoning Germany www.rosenberger.de				Tel. : +49 8684 18-0 Email : info@rosenberger.com		Page 2 / 2
--	--	--	--	--	--	---------------