



2 Watt RF Load Up to 26.5 GHz with SMA Male Gold Plated Stainless Steel

RF Terminations Technical Data Sheet

PE6TR671

Features

- DC to 26.5 GHz Frequency Range
- VSWR 1.35:1 Max
- Max Power 2 Watts (CW)
- SMA Male Coaxial Interface

Applications

- Wireless
- SatCom
- Radar Systems
- Test and Measurement
- Commercial and Military Communication

Description

RF termination (also called RF load or dummy load) PE6TR671 from Pasternack operates from DC to 26.5 GHz and handles up to 2 Watts (CW). This SMA termination (or load) has a male gender. PE6TR671 SMA load termination offers 1.35:1 max VSWR.

RF terminations / loads are critical passive components in many RF, microwave and millimeter wave systems where signal reflection from unused ports can reduce the signal integrity and can potentially damage the device. By terminating an unused port with a matched load (dummy load), the incident energy will be absorbed with minimal reflection. These radio frequency termination components are commonly used to terminate devices such as couplers, circulators, and switches. Loads / terminations are also widely used in measurement systems to ensure accurate results. Pasternack offers a large selection of in-stock RF, microwave and millimeter wave terminations up to 65 GHz with great performance over the entire operating range and with power handling capabilities up to 800 Watts (CW).

Electrical Specifications

Description	Minimum	Typical	Maximum	Units
Frequency Range	DC		26.5	GHz
Impedance		50		Ohms
VSWR			1.35:1	
Input Power (CW) derated linearly to 0W at +125°C			2	Watts
Input Power (Peak) 5µs pulse, 0.01% duty cycle			500	Watts

Performance by Frequency

Description	F1	F2	F3	F4	F5	Units
Frequency Range	DC to 4	4 to 12.4	12.4 to 26.5			GHz
VSWR, Max	1.1:1	1.2:1	1.35:1			

Click the following link (or enter part number in "SEARCH" on website) to obtain additional part information including price, inventory and certifications: [2 Watt RF Load Up to 26.5 GHz with SMA Male Gold Plated Stainless Steel PE6TR671](#)



2 Watt RF Load Up to 26.5 GHz with SMA
Male Gold Plated Stainless Steel

RF Terminations Technical Data Sheet

PE6TR671

Mechanical Specifications

Size

Length	0.52 in [13.21 mm]
Width	0.315 in [8 mm]
Weight	0.009 lbs [4.08 g]

Configuration

Connector	SMA Male
Connector Specification	MIL-STD-348
Hex Size	5/16 inch

Material Specifications

Description	Material	Plating
Connector 1 Contact	Beryllium Copper	Gold MIL-PRF-39012
Insulation	PTFE	
Body	Stainless Steel	Gold
Coupling Nut	Stainless Steel	Gold
Housing	Stainless Steel	Gold

Environmental Specifications

Temperature

Operating Range	-55 to +125 deg C
-----------------	-------------------

Compliance Certifications (see [product page](#) for current document)

Plotted and Other Data

Notes:

Click the following link (or enter part number in "SEARCH" on website) to obtain additional part information including price, inventory and certifications: [2 Watt RF Load Up to 26.5 GHz with SMA Male Gold Plated Stainless Steel PE6TR671](#)



2 Watt RF Load Up to 26.5 GHz with SMA Male Gold Plated Stainless Steel

RF Terminations Technical Data Sheet

PE6TR671

2 Watt RF Load Up to 26.5 GHz with SMA Male Gold Plated Stainless Steel from Pasternack Enterprises has same day shipment for domestic and International orders. Our RF, microwave and millimeter wave products maintain a 99.4% availability and are part of the broadest selection in the industry.

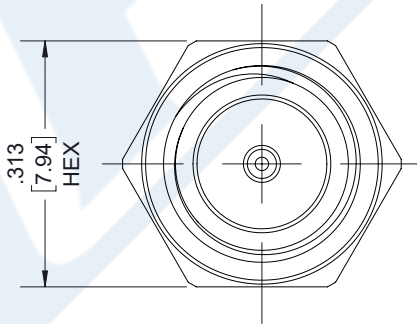
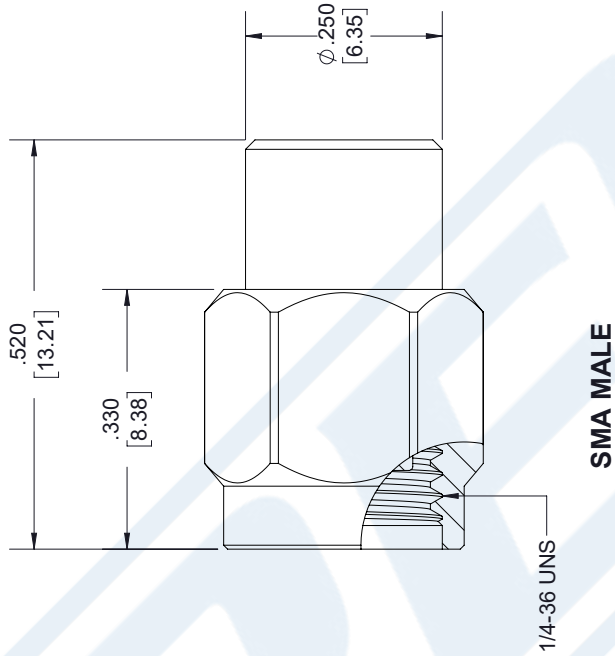
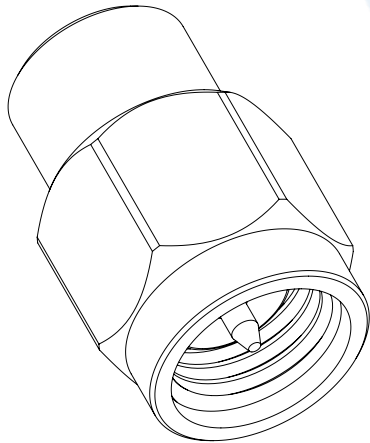
Click the following link (or enter part number in "SEARCH" on website) to obtain additional part information including price, inventory and certifications: [2 Watt RF Load Up to 26.5 GHz with SMA Male Gold Plated Stainless Steel PE6TR671](https://www.pasternack.com/2-watts-sma-male-rf-load-26.5-ghz-pe6tr671-p.aspx)

URL: <https://www.pasternack.com/2-watts-sma-male-rf-load-26.5-ghz-pe6tr671-p.aspx>

The information contained in this document is accurate to the best of our knowledge and representative of the part described herein. It may be necessary to make modifications to the part and/or the documentation of the part, in order to implement improvements. Pasternack reserves the right to make such changes as required. Unless otherwise stated, all specifications are nominal. Pasternack does not make any representation or warranty regarding the suitability of the part described herein for any particular purpose, and Pasternack does not assume any liability arising out of the use of any part or documentation.

PE6TR671 CAD Drawing

2 Watt RF Load Up to 26.5 GHz with SMA Male Gold Plated Stainless Steel



STANDARD TOLERANCES

.X ±0.2
.XX ±0.01
.XXX ±0.005

*STANDARD TOLERANCES APPLY ONLY TO DIMENSIONS IN INCHES



Pasternack Enterprises, Inc.
P.O. Box 16759 | Irvine | CA | 92623
Phone: (949) 261-1920 | Fax: (949) 261-7451
Website: www.pasternack.com | E-Mail: sales@pasternack.com

DWG TITLE

PE6TR671

NOTES:
1. UNLESS OTHERWISE SPECIFIED ALL DIMENSIONS ARE NOMINAL.
2. ALL SPECIFICATIONS ARE SUBJECT TO CHANGE WITHOUT NOTICE AT ANY TIME.
3. DIMENSIONS ARE IN INCHES [mm].

CAGE CODE 53919

CAD FILE 07/25/18

SCALE N/A

SIZE A

7361