

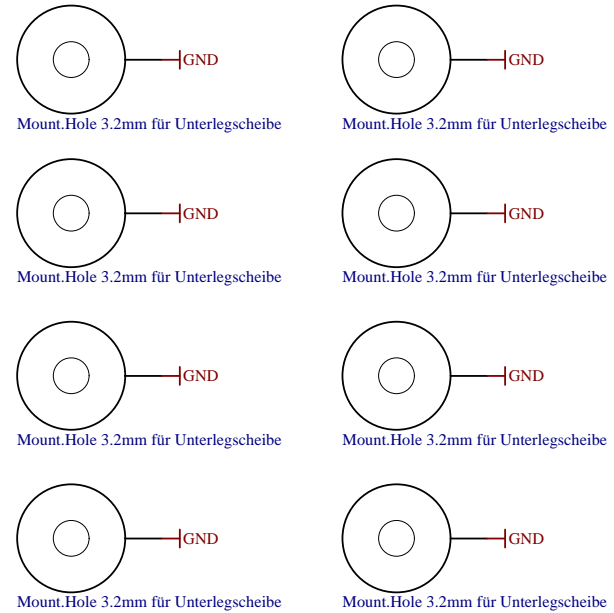
1

2

3

4

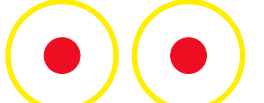
U_J1 J1.SchDoc	U_B_PS_GT B_PS_GT.SchDoc	U_DDR4-TERM DDR4-TERM.SchDoc
U_J2 J2.SchDoc	U_PS_DDR PS_DDR.SchDoc	U_ZU_POWER ZU_POWER.SchDoc
U_J3 J3.SchDoc	U_B_MIO B_MIO.SchDoc	U_ZU_PS_POWER ZU_PS_POWER.SchDoc
U_J4 J4.SchDoc	U_B_HD B_HD.SchDoc	U_POWER POWER.SchDoc
U_DDR4-TERM DDR4-TERM.SchDoc	U_Clock Clock.SchDoc	U_POWER_2 POWER_2.SchDoc
U_B64 B64.SchDoc	U_CONFIG CONFIG.SchDoc	
U_B65 B65.SchDoc	U_DDR4-RAM DDR4-RAM.SchDoc	U_POWER_4 POWER_4.SchDoc
U_B66 B66.SchDoc	U_DDR4-RAM_2 DDR4-RAM_2.SchDoc	U_REV_CH Revision_Changes.SchDoc
U_B_GT B_GT.SchDoc	U_DDR4-RAM_3 DDR4-RAM_3.SchDoc	
	U_DDR4-RAM_4 DDR4-RAM_4.SchDoc	



FIDU-DOT - small



PM1 FIDU-DOT - small



PM3 FIDU-DOT - small

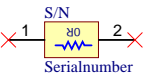
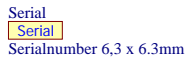


PM5

LOGO1

TE Logo PRINT Layer

LOGO PRINT



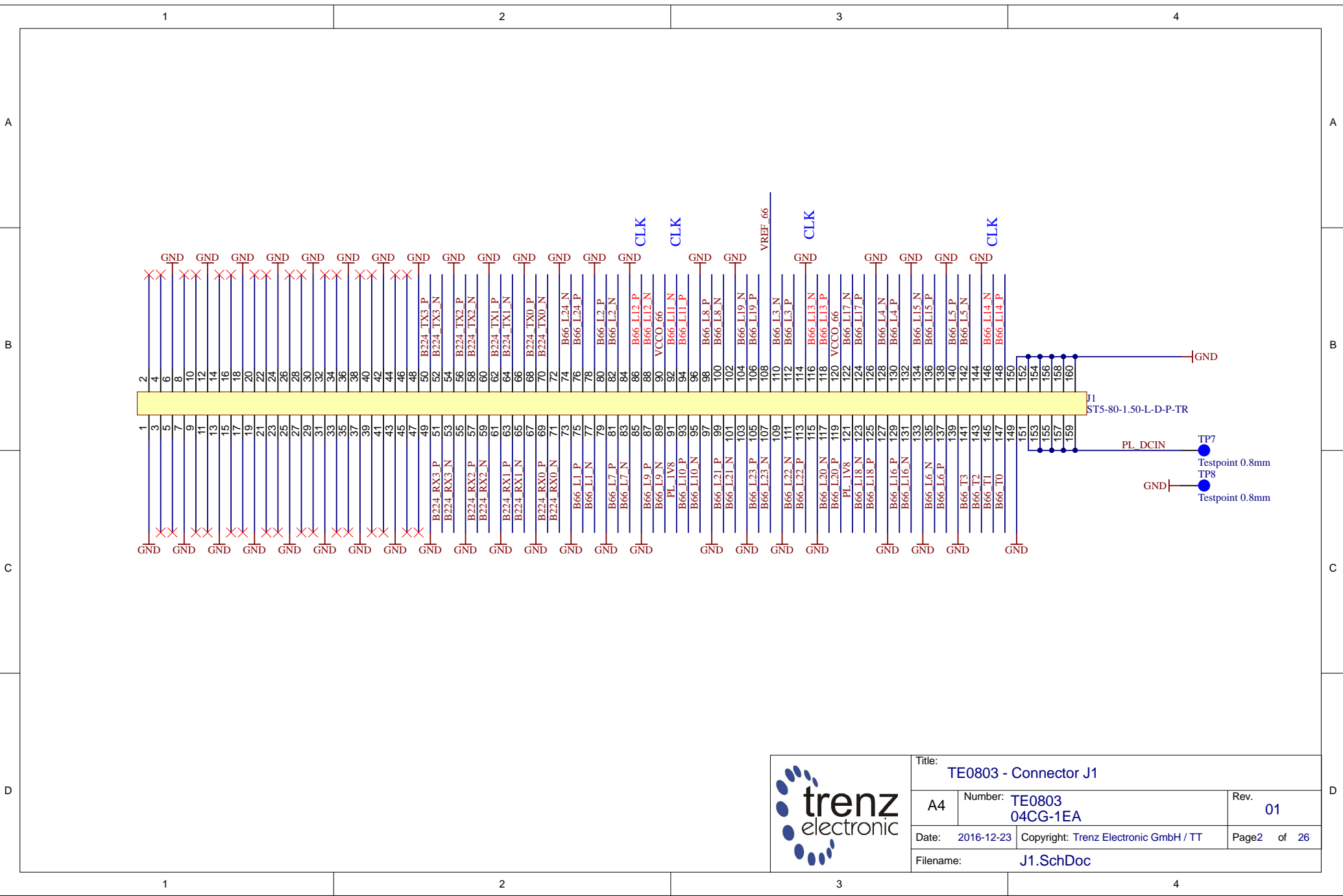
Title: TE0803		
A4	Number: TE0803 04CG-1EA	Rev. 01
Date: 2016-12-23	Copyright: Trenz Electronic GmbH / TT	Page1 of 26
Filename: TE0803.SchDoc		

1

2

3

4



Title: TE0803 - Connector J1		
A4	Number: TE0803 04CG-1EA	Rev. 01
Date: 2016-12-23	Copyright: Trenz Electronic GmbH / TT	Page2 of 26
Filename: J1.SchDoc		

1

2

3

4

A

A

B

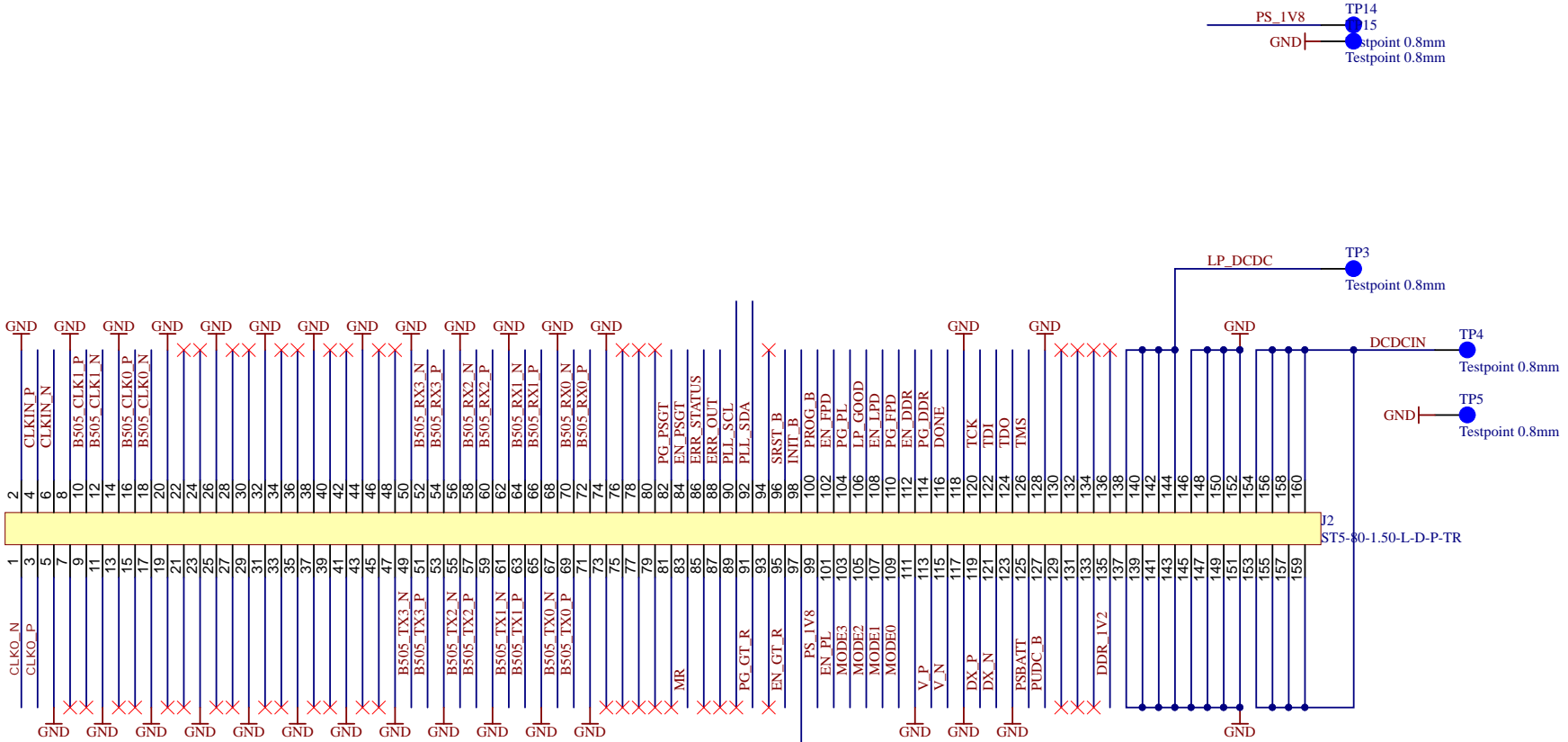
B

C

C

D

D



Title: TE0803 - Connector J2		
A4	Number: TE0803 04CG-1EA	Rev. 01
Date: 2016-12-23	Copyright: Trenz Electronic GmbH / TT	Page3 of 26
Filename: J2.SchDoc		

1

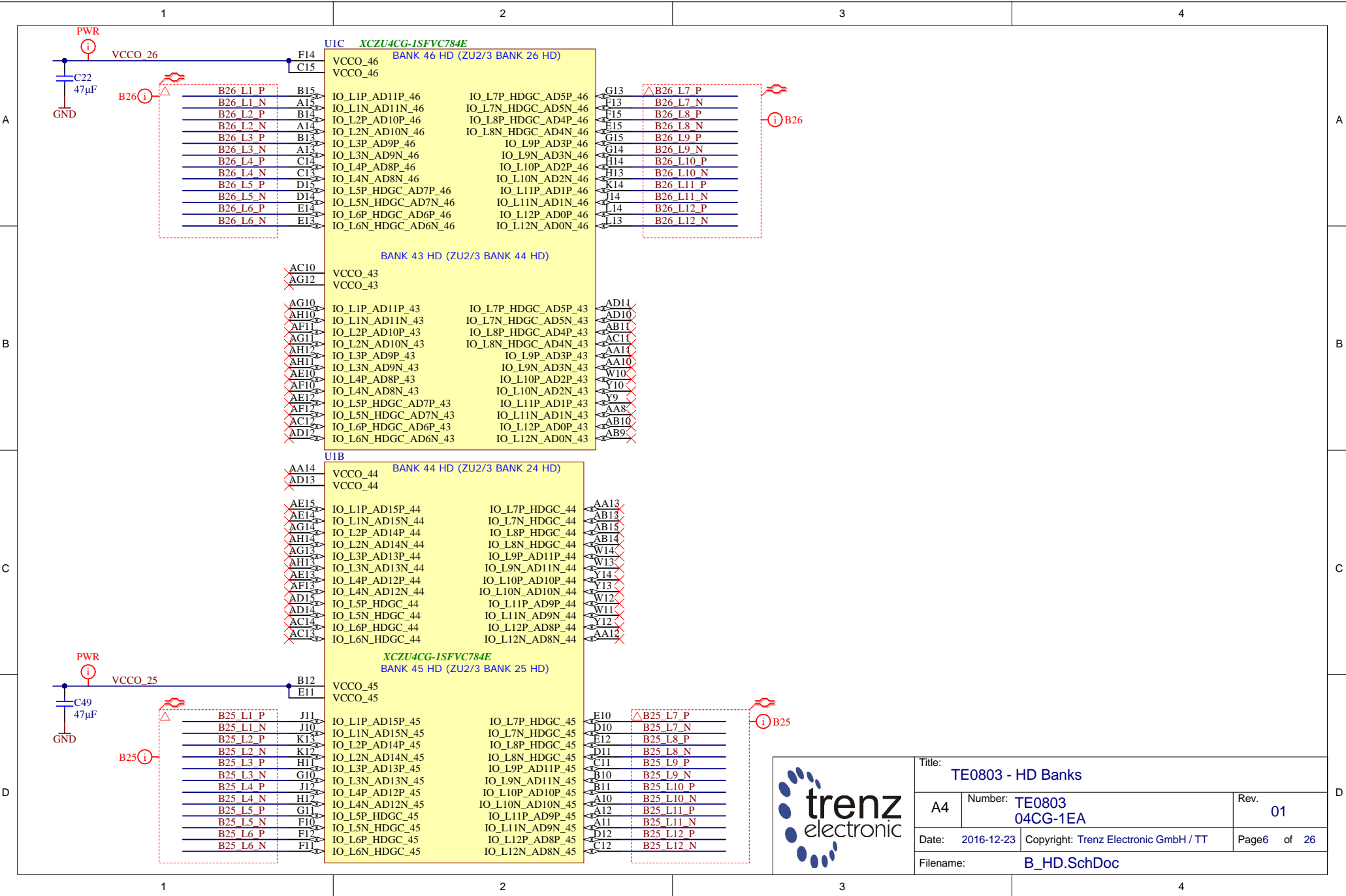
2

3

4







**UIC XCZU4CG-1SFVC784E**  
**BANK 46 HD (ZU2/3 BANK 26 HD)**

VCCO_46	BANK 46 HD (ZU2/3 BANK 26 HD)	VCCO_46
VCCO_46		VCCO_46
IO_L1P_AD11P_46	IO_L7P_HDGC_AD5P_46	G13
IO_L1N_AD11N_46	IO_L7N_HDGC_AD5N_46	F13
IO_L2P_AD10P_46	IO_L8P_HDGC_AD4P_46	F15
IO_L2N_AD10N_46	IO_L8N_HDGC_AD4N_46	F15
IO_L3P_AD9P_46	IO_L9P_AD3P_46	G15
IO_L3N_AD9N_46	IO_L9N_AD3N_46	G14
IO_L4P_AD8P_46	IO_L10P_AD2P_46	H14
IO_L4N_AD8N_46	IO_L10N_AD2N_46	H13
IO_L5P_HDGC_AD7P_46	IO_L11P_AD1P_46	K14
IO_L5N_HDGC_AD7N_46	IO_L11N_AD1N_46	J14
IO_L6P_HDGC_AD6P_46	IO_L12P_AD0P_46	L14
IO_L6N_HDGC_AD6N_46	IO_L12N_AD0N_46	L13

**BANK 43 HD (ZU2/3 BANK 44 HD)**

VCCO_43		VCCO_43
VCCO_43		VCCO_43
IO_L1P_AD11P_43	IO_L7P_HDGC_AD5P_43	AD11
IO_L1N_AD11N_43	IO_L7N_HDGC_AD5N_43	AD10
IO_L2P_AD10P_43	IO_L8P_HDGC_AD4P_43	AB11
IO_L2N_AD10N_43	IO_L8N_HDGC_AD4N_43	AC11
IO_L3P_AD9P_43	IO_L9P_AD3P_43	AA11
IO_L3N_AD9N_43	IO_L9N_AD3N_43	AA10
IO_L4P_AD8P_43	IO_L10P_AD2P_43	W10
IO_L4N_AD8N_43	IO_L10N_AD2N_43	Y10
IO_L5P_HDGC_AD7P_43	IO_L11P_AD1P_43	Y9
IO_L5N_HDGC_AD7N_43	IO_L11N_AD1N_43	AA8
IO_L6P_HDGC_AD6P_43	IO_L12P_AD0P_43	AB10
IO_L6N_HDGC_AD6N_43	IO_L12N_AD0N_43	AB9

**UIB**  
**BANK 44 HD (ZU2/3 BANK 24 HD)**

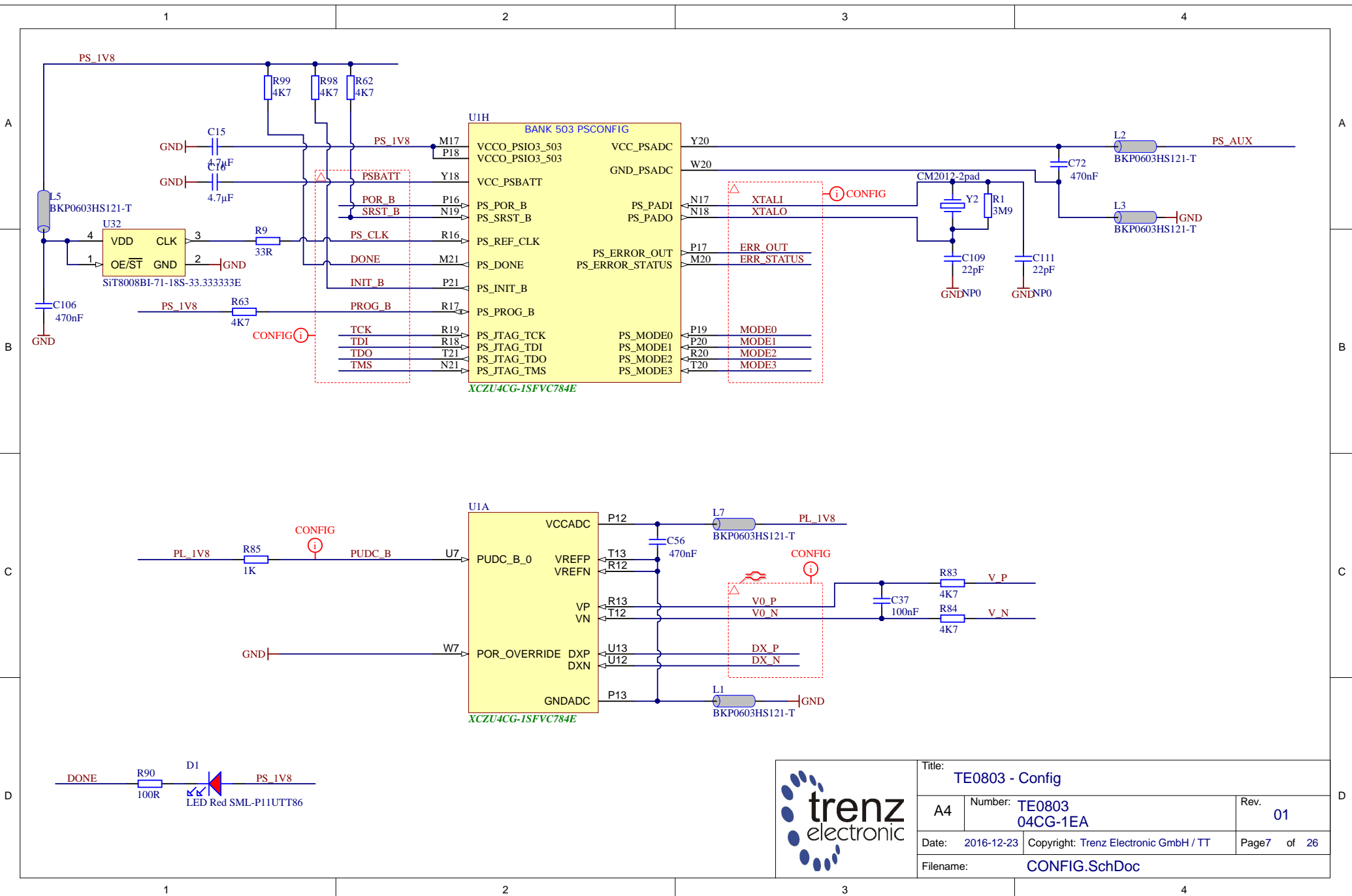
VCCO_44	BANK 44 HD (ZU2/3 BANK 24 HD)	VCCO_44
VCCO_44		VCCO_44
IO_L1P_AD15P_44	IO_L7P_HDGC_44	AA13
IO_L1N_AD15N_44	IO_L7N_HDGC_44	AB13
IO_L2P_AD14P_44	IO_L8P_HDGC_44	AB15
IO_L2N_AD14N_44	IO_L8N_HDGC_44	AB14
IO_L3P_AD13P_44	IO_L9P_AD11P_44	W14
IO_L3N_AD13N_44	IO_L9N_AD11N_44	W13
IO_L4P_AD12P_44	IO_L10P_AD10P_44	Y14
IO_L4N_AD12N_44	IO_L10N_AD10N_44	Y13
IO_L5P_HDGC_44	IO_L11P_AD9P_44	W12
IO_L5N_HDGC_44	IO_L11N_AD9N_44	W11
IO_L6P_HDGC_44	IO_L12P_AD8P_44	Y12
IO_L6N_HDGC_44	IO_L12N_AD8N_44	AA12

**XCZU4CG-1SFVC784E**  
**BANK 45 HD (ZU2/3 BANK 25 HD)**

VCCO_45	BANK 45 HD (ZU2/3 BANK 25 HD)	VCCO_45
VCCO_45		VCCO_45
IO_L1P_AD15P_45	IO_L7P_HDGC_45	E10
IO_L1N_AD15N_45	IO_L7N_HDGC_45	D10
IO_L2P_AD14P_45	IO_L8P_HDGC_45	E12
IO_L2N_AD14N_45	IO_L8N_HDGC_45	D11
IO_L3P_AD13P_45	IO_L9P_AD11P_45	C11
IO_L3N_AD13N_45	IO_L9N_AD11N_45	B10
IO_L4P_AD12P_45	IO_L10P_AD10P_45	B11
IO_L4N_AD12N_45	IO_L10N_AD10N_45	A10
IO_L5P_HDGC_45	IO_L11P_AD9P_45	A12
IO_L5N_HDGC_45	IO_L11N_AD9N_45	A11
IO_L6P_HDGC_45	IO_L12P_AD8P_45	D12
IO_L6N_HDGC_45	IO_L12N_AD8N_45	C12



Title: TE0803 - HD Banks		
A4	Number: TE0803 04CG-1EA	Rev. 01
Date: 2016-12-23	Copyright: Trenz Electronic GmbH / TT	Page6 of 26
Filename: B_HD.SchDoc		



Title: TE0803 - Config		
A4	Number: TE0803 04CG-1EA	Rev. 01
Date: 2016-12-23	Copyright: Trenz Electronic GmbH / TT	Page7 of 26
Filename: CONFIG.SchDoc		

1

2

3

4

A

A

B

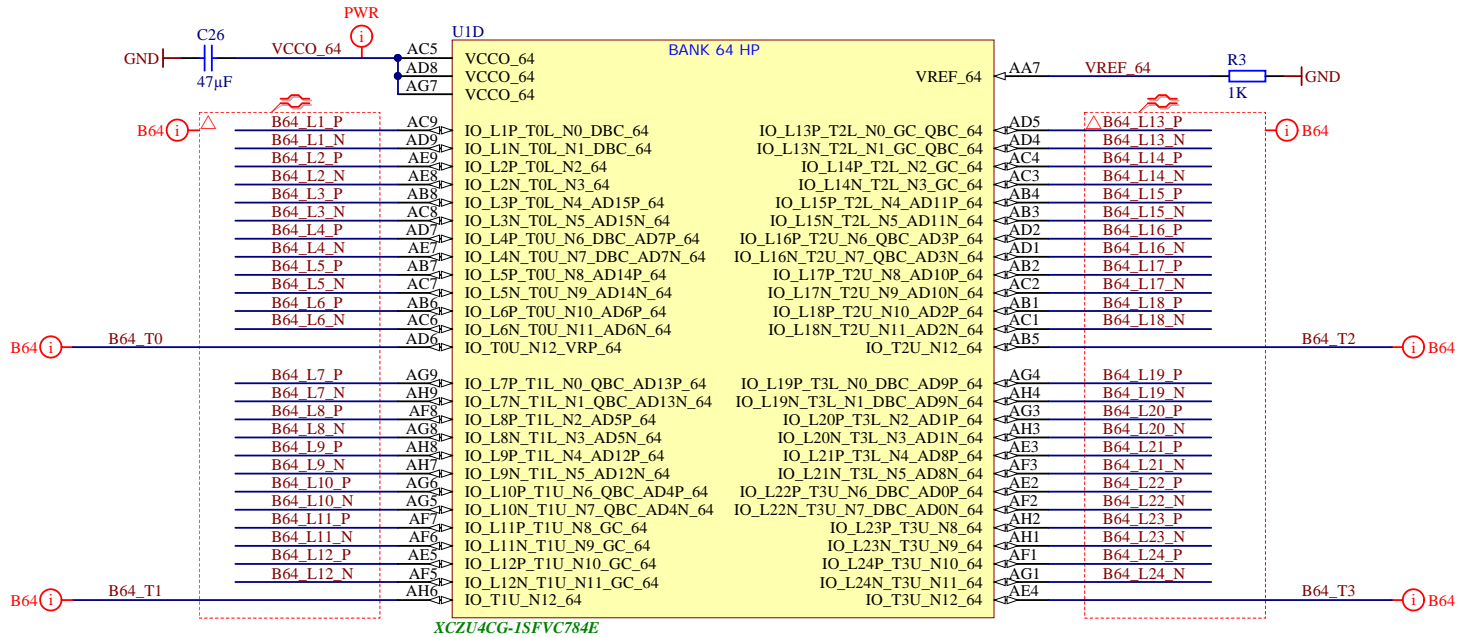
B

C

C

D

D



Title: TE0803 - B64		
A4	Number: TE0803 04CG-1EA	Rev. 01
Date: 2016-12-23	Copyright: Trenz Electronic GmbH / TT	Page8 of 26
Filename: B64.SchDoc		

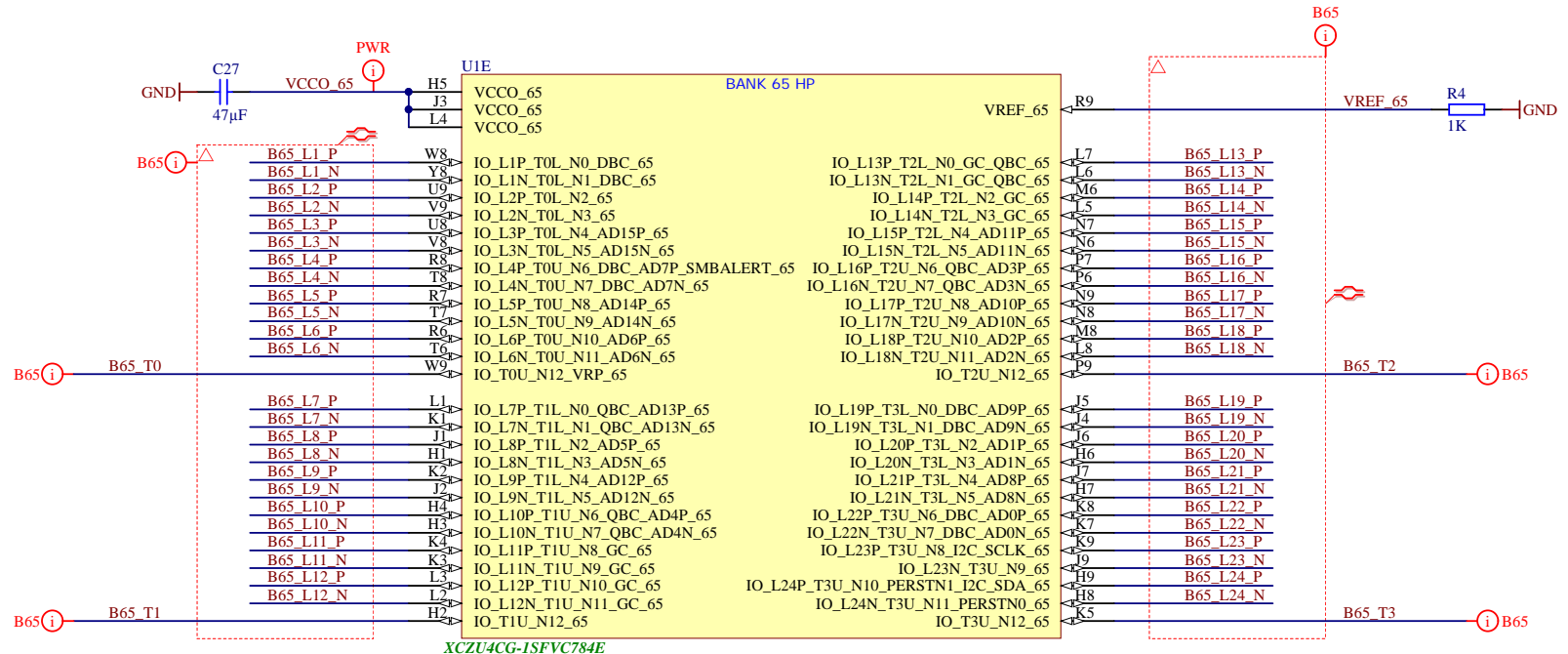
1

2

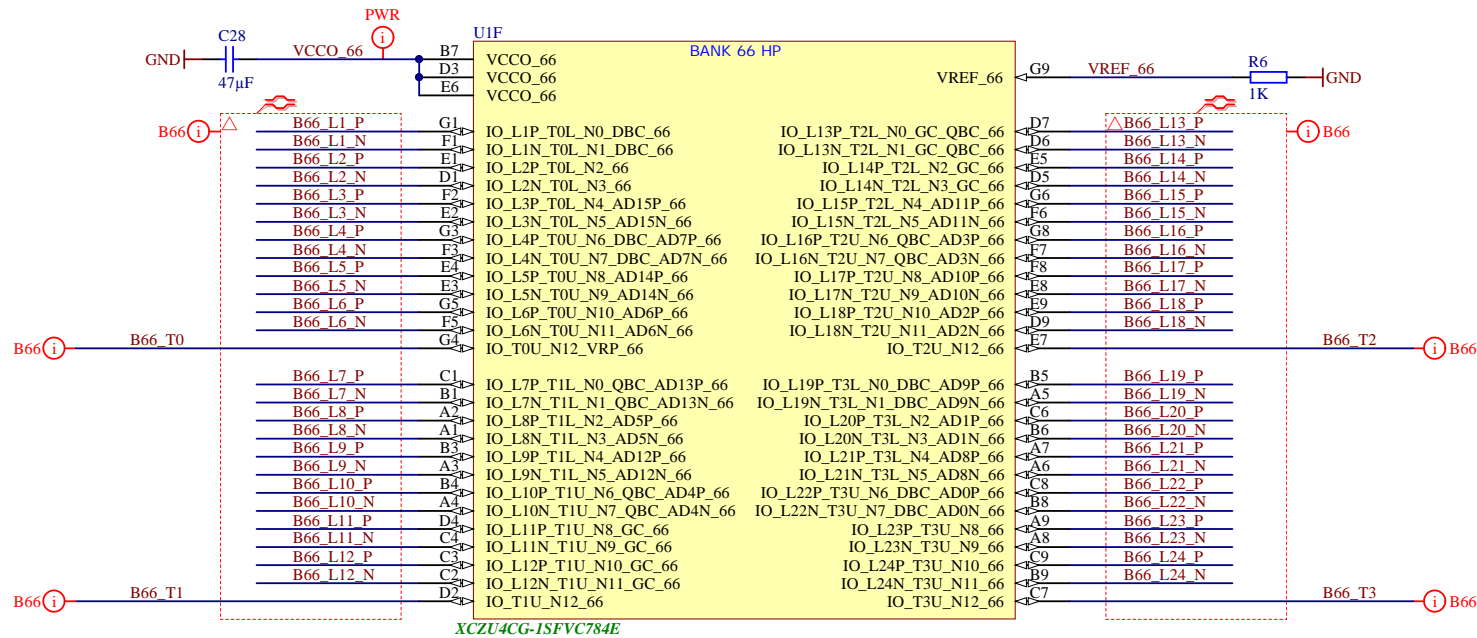
3

4

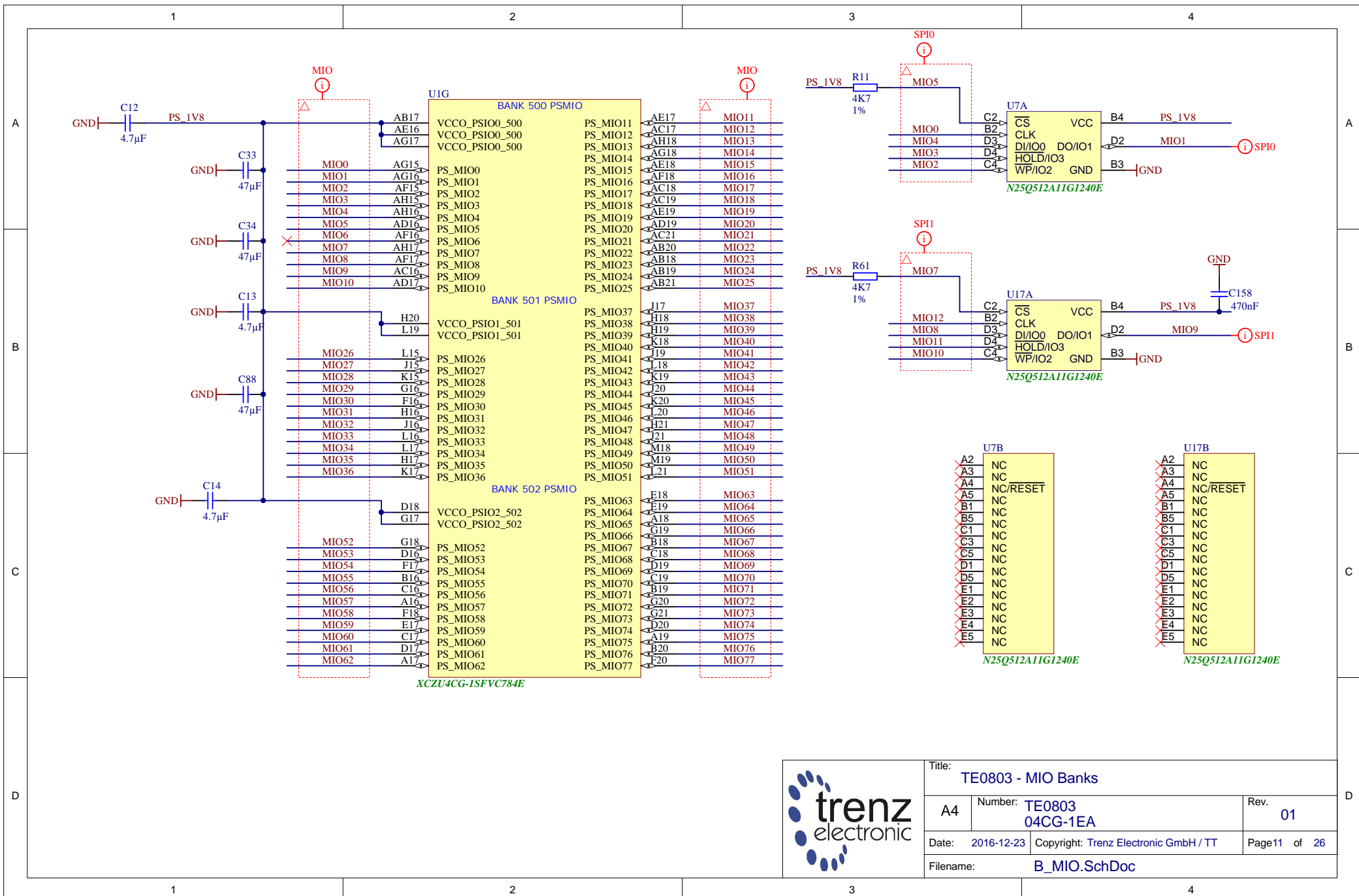




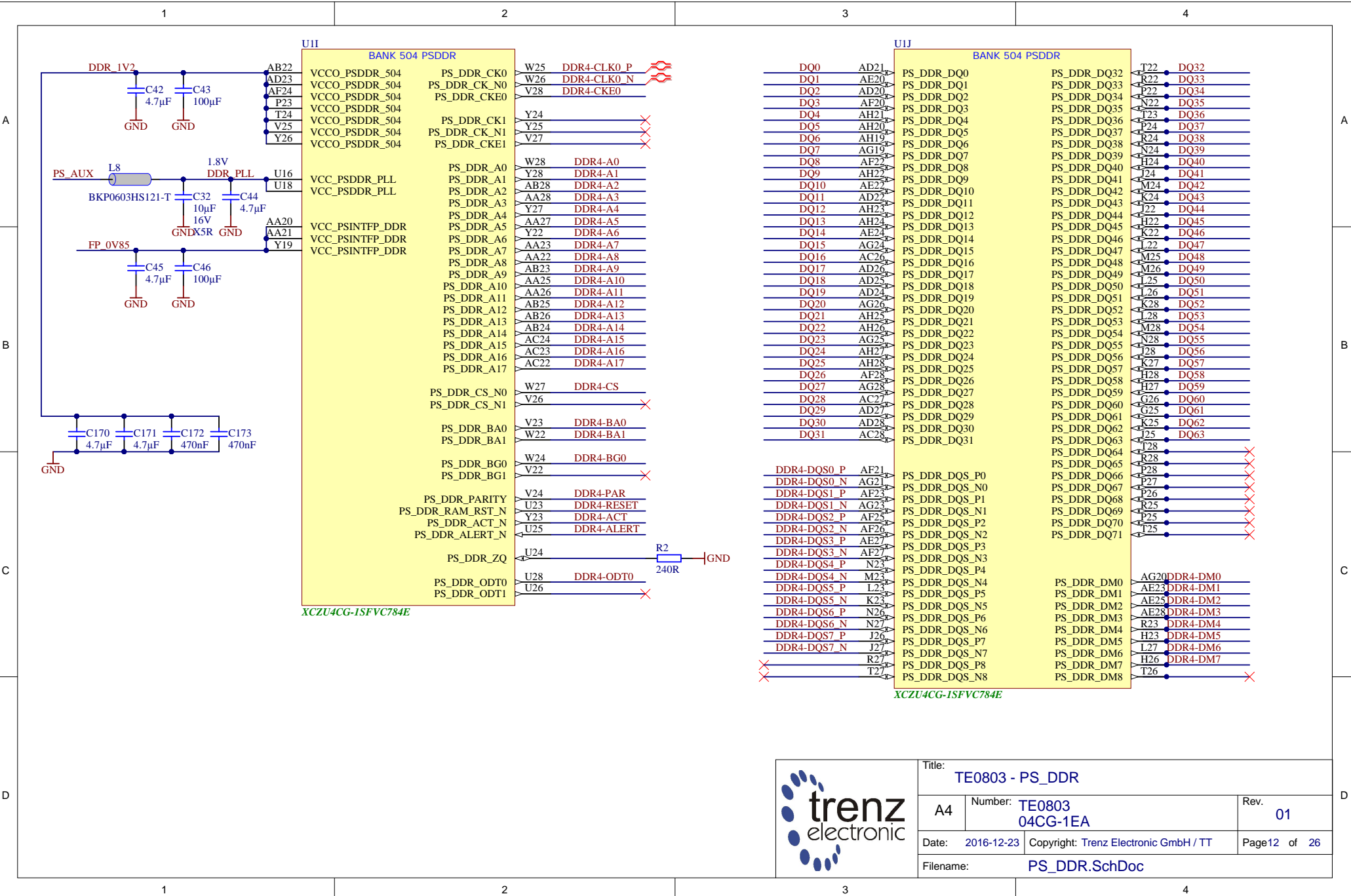
	Title: TE0803 - B65	
	A4	Number: TE0803 04CG-1EA
	Date: 2016-12-23	Copyright: Trenz Electronic GmbH / TT
	Rev. 01	Page9 of 26
Filename: B65.SchDoc		



Title: TE0803 - B66		
A4	Number: TE0803 04CG-1EA	Rev. 01
Date: 2016-12-23	Copyright: Trenz Electronic GmbH / TT	Page10 of 26
Filename: B66.SchDoc		

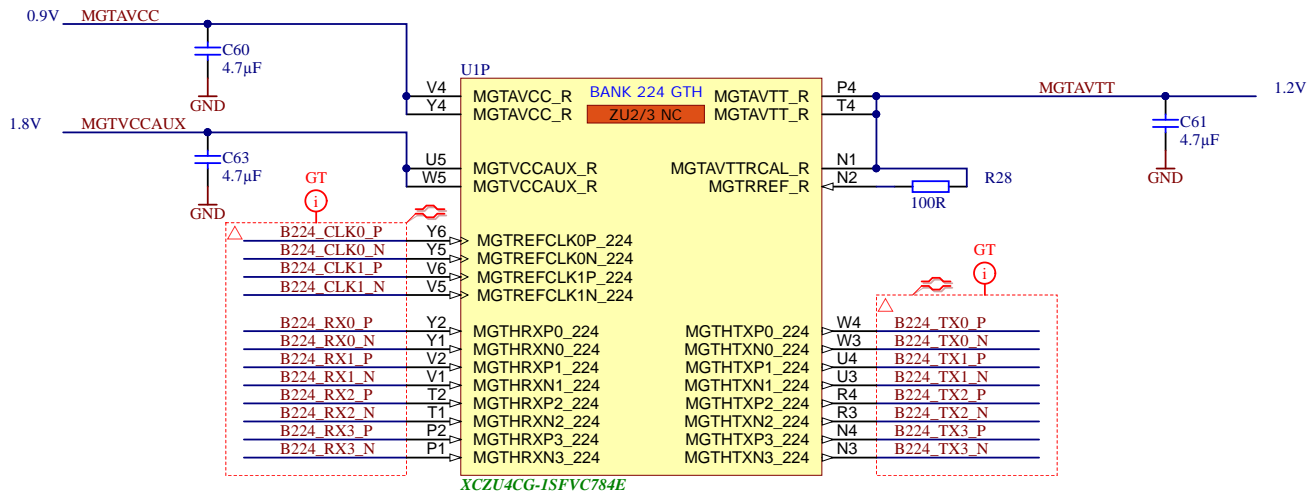


	Title: TE0803 - MIO Banks	
	A4	Number: TE0803 04CG-1EA
	Date: 2016-12-23	Copyright: Trenz Electronic GmbH / TT
	Filename: B_MIO.SchDoc	
	Rev. 01	Page 11 of 26



		Title: TE0803 - PS_DDR	
		A4	Number: TE0803 04CG-1EA
Date: 2016-12-23		Copyright: Trenz Electronic GmbH / TT	
Filename: PS_DDR.SchDoc		Page 12 of 26	

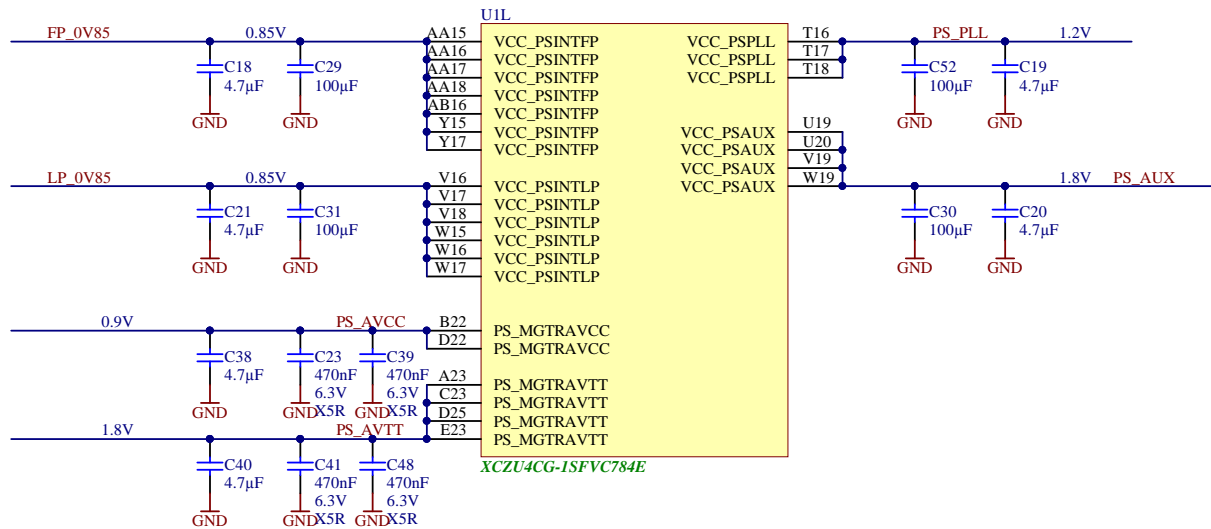




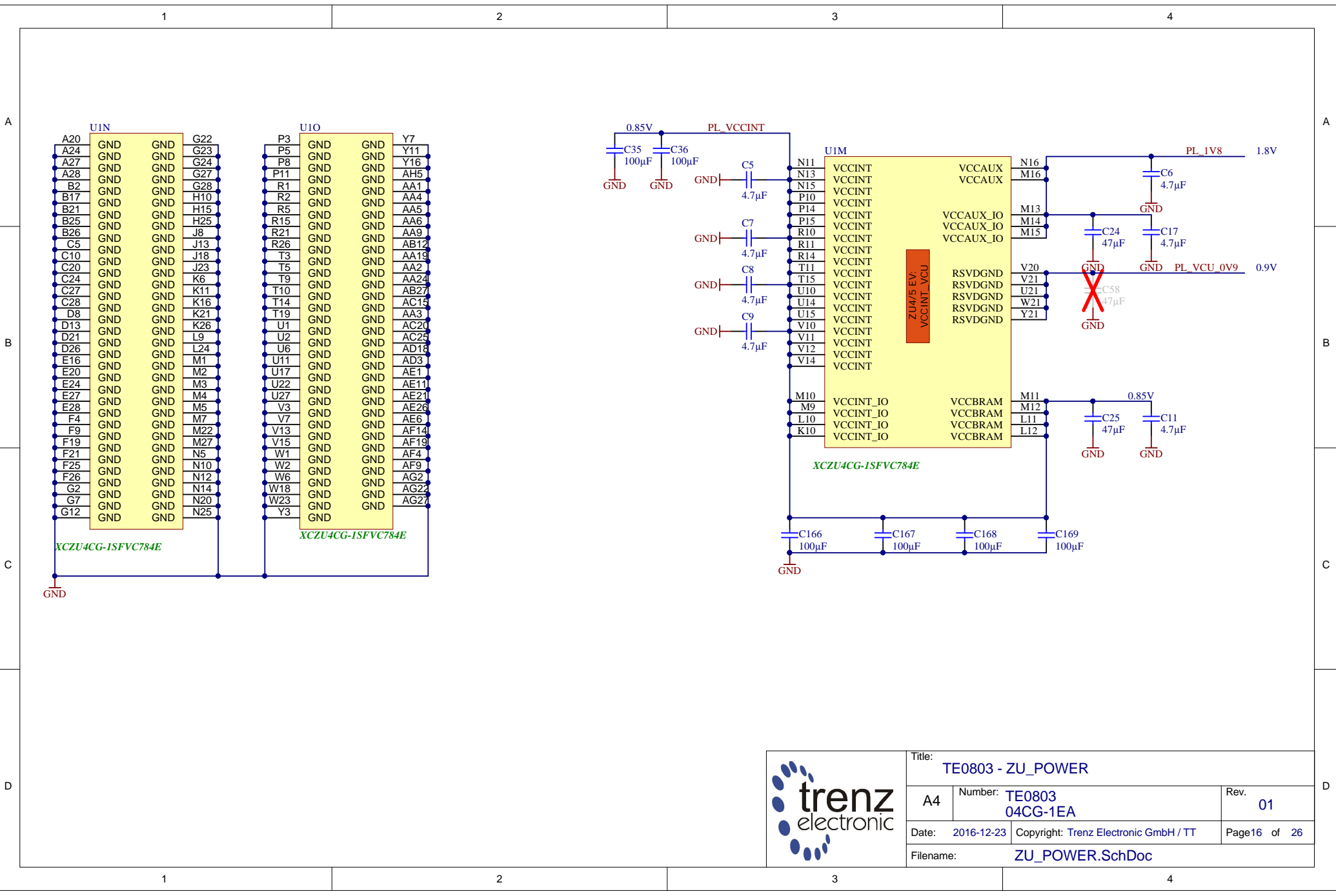
XZU4CG-1SFVC784E




Title: TE0803 - B224GTH		
A4	Number: TE0803 04CG-1EA	Rev. 01
Date: 2016-12-23	Copyright: Trenz Electronic GmbH / TT	Page 14 of 26
Filename: B_GT.SchDoc		



Title: TE0803 - ZU_PS_POWER		
A4	Number: TE0803 04CG-1EA	Rev. 01
Date: 2016-12-23	Copyright: Trenz Electronic GmbH / TT	Page 15 of 26
Filename: ZU_PS_POWER.SchDoc		



			Title: TE0803 - ZU_POWER	
			A4	Number: TE0803 04CG-1EA
Date: 2016-12-23		Copyright: Trenz Electronic GmbH / TT		Page16 of 26
Filename: ZU_POWER.SchDoc				



1

2

3

4

A

A

B

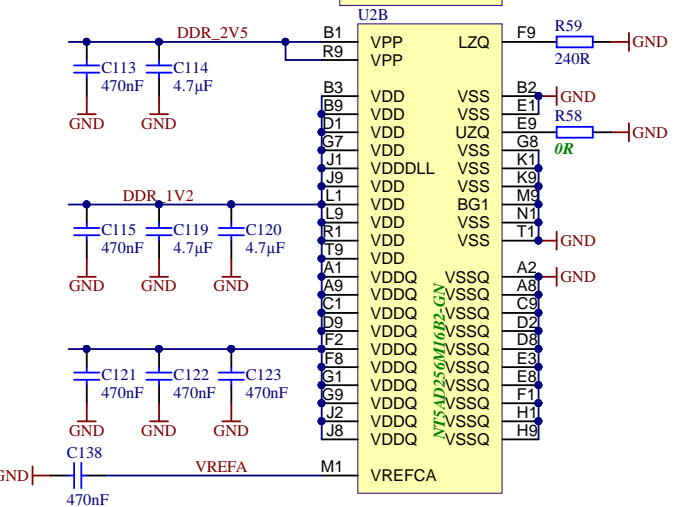
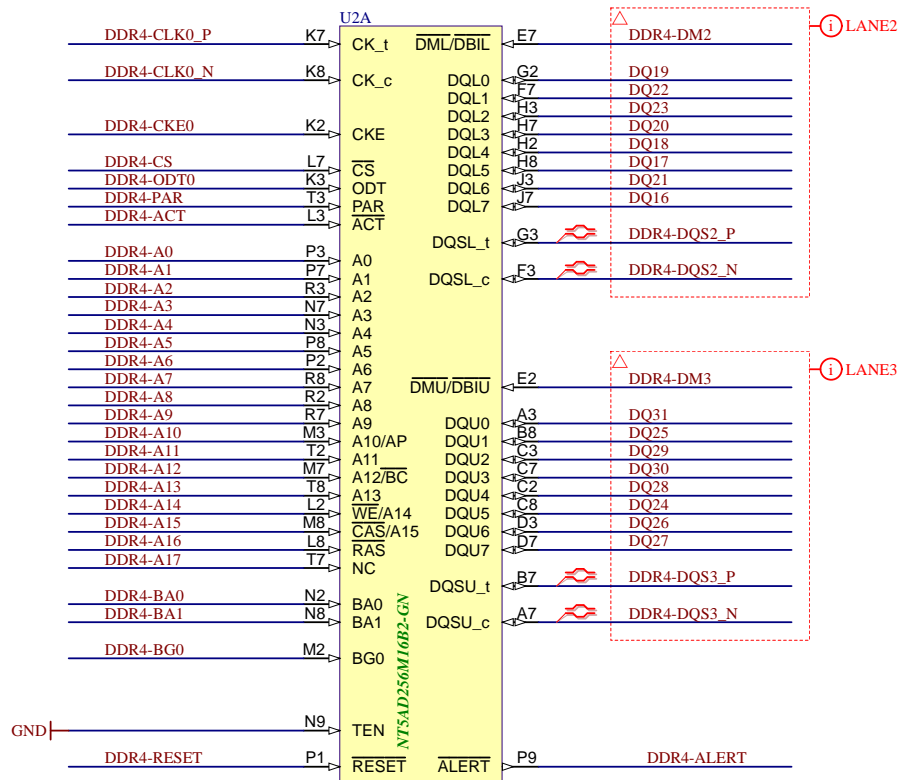

B

C

C

D

D

Title: TE0803 - DDR4_1_RAM		
A4	Number: TE0803 04CG-1EA	Rev. 01
Date: 2016-12-23	Copyright: Trenz Electronic GmbH / TT	Page 17 of 26
Filename: DDR4-RAM.SchDoc		

1

2

3

4

1

2

3

4

A

A

B

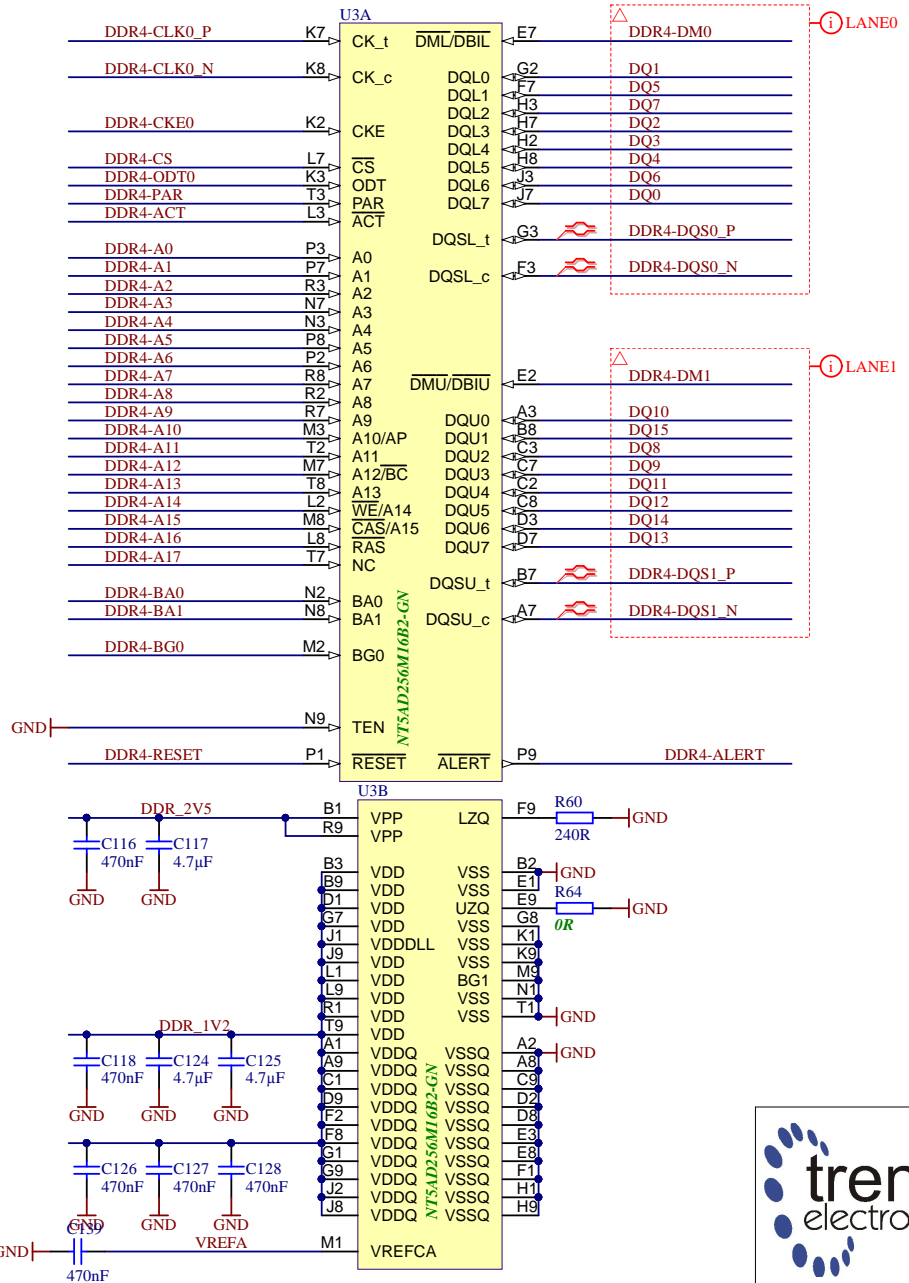
B

C

C

D

D



Title: TE0803 - DDR4_2_RAM		
A4	Number: TE0803 04CG-1EA	Rev. 01
Date: 2016-12-23	Copyright: Trenz Electronic GmbH / TT	Page 18 of 26
Filename: DDR4-RAM_2.SchDoc		

1

2

3

4

1

2

3

4

A

A

B

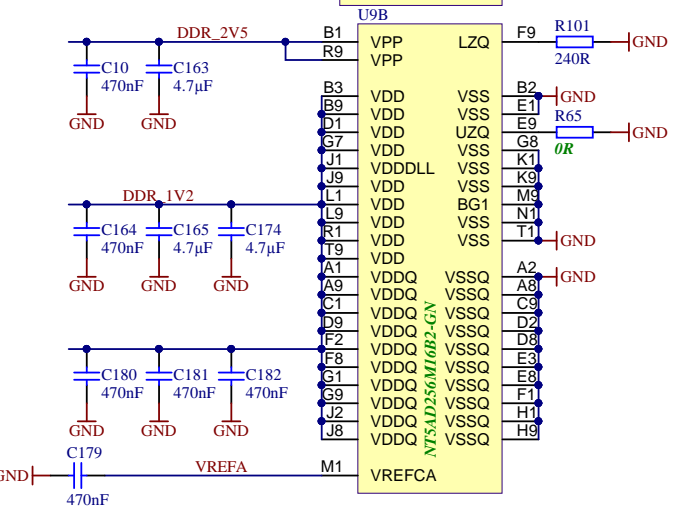
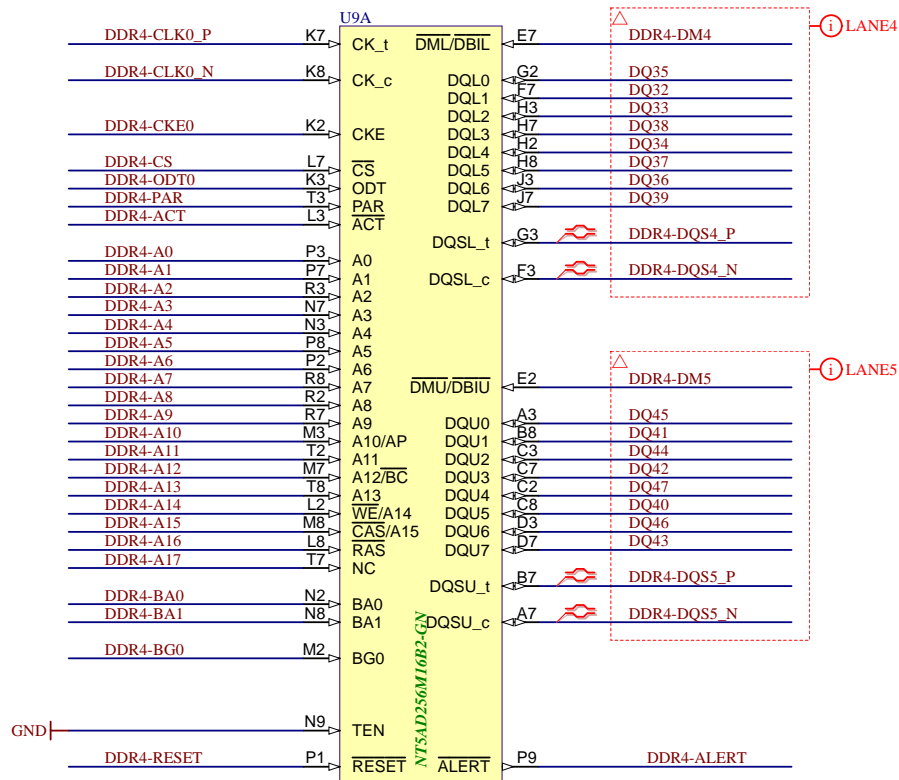
B

C

C

D

D



Title: TE0803 - DDR4_3_RAM		
A4	Number: TE0803 04CG-1EA	Rev. 01
Date: 2016-12-23	Copyright: Trenz Electronic GmbH / TT	Page19 of 26
Filename: DDR4-RAM_3.SchDoc		

1

2

3

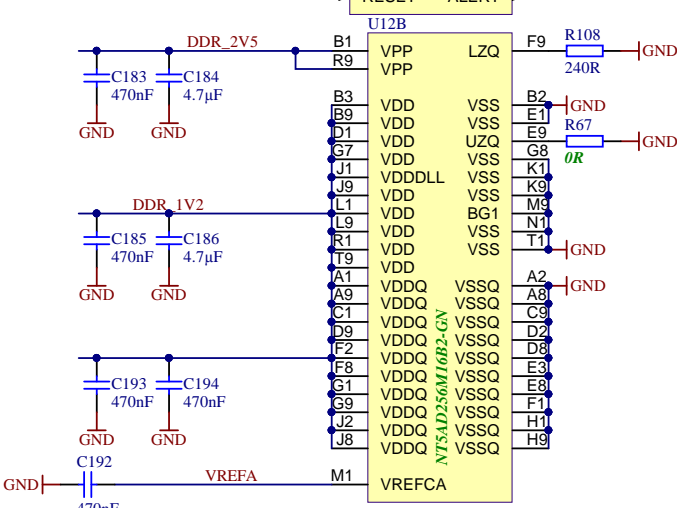
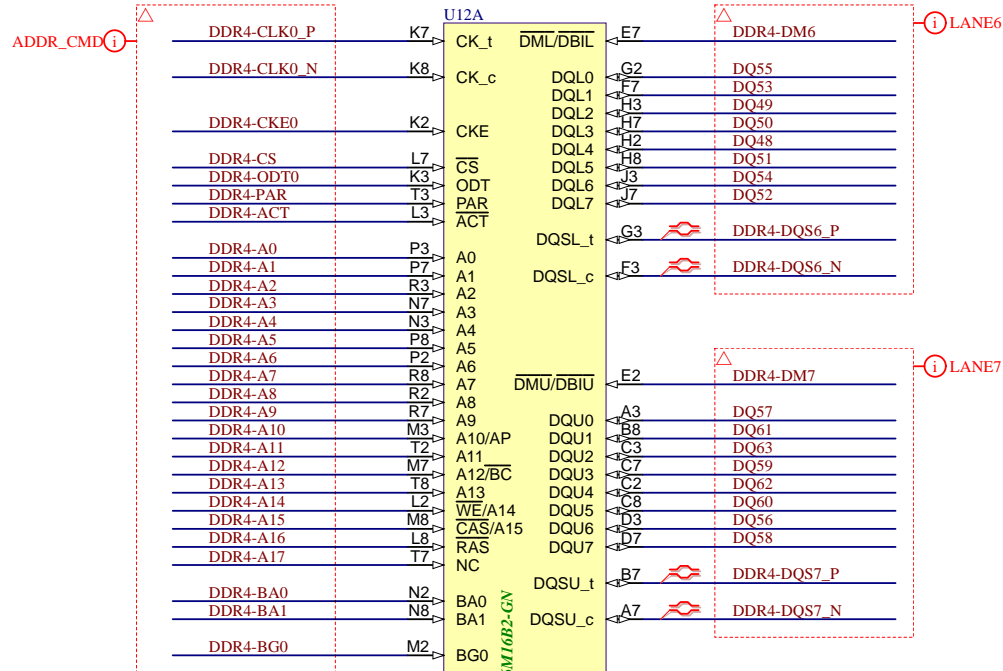

4

1

2

3

4

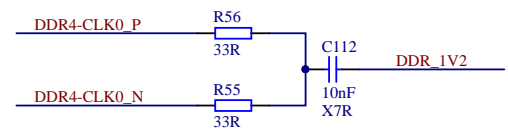
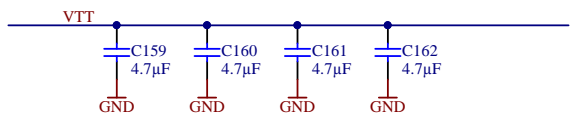
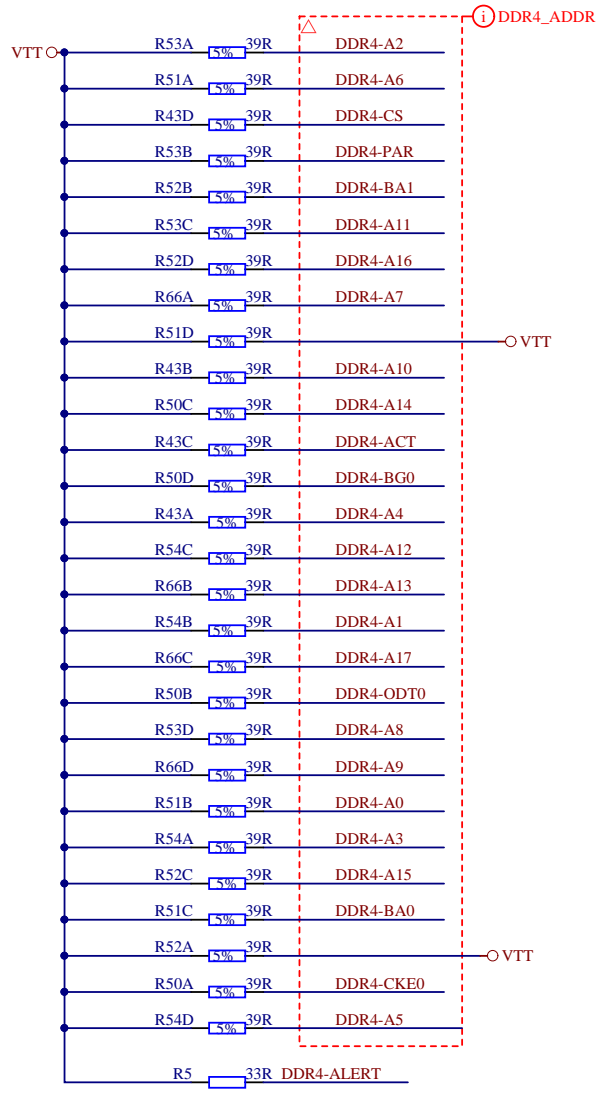

Title: TE0803 - DDR4_4_RAM		
A4	Number: TE0803 04CG-1EA	Rev. 01
Date: 2016-12-23	Copyright: Trenz Electronic GmbH / TT	Page20 of 26
Filename: DDR4-RAM_4.SchDoc		

1

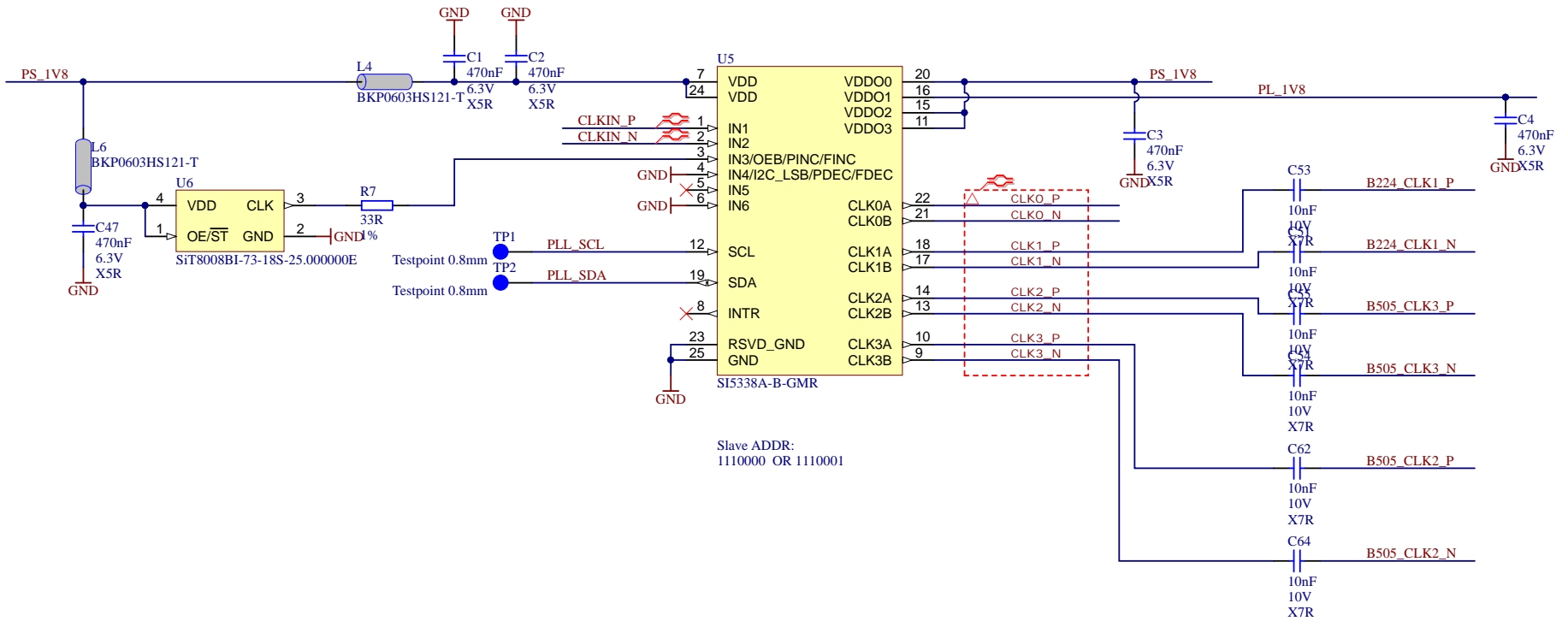
2

3

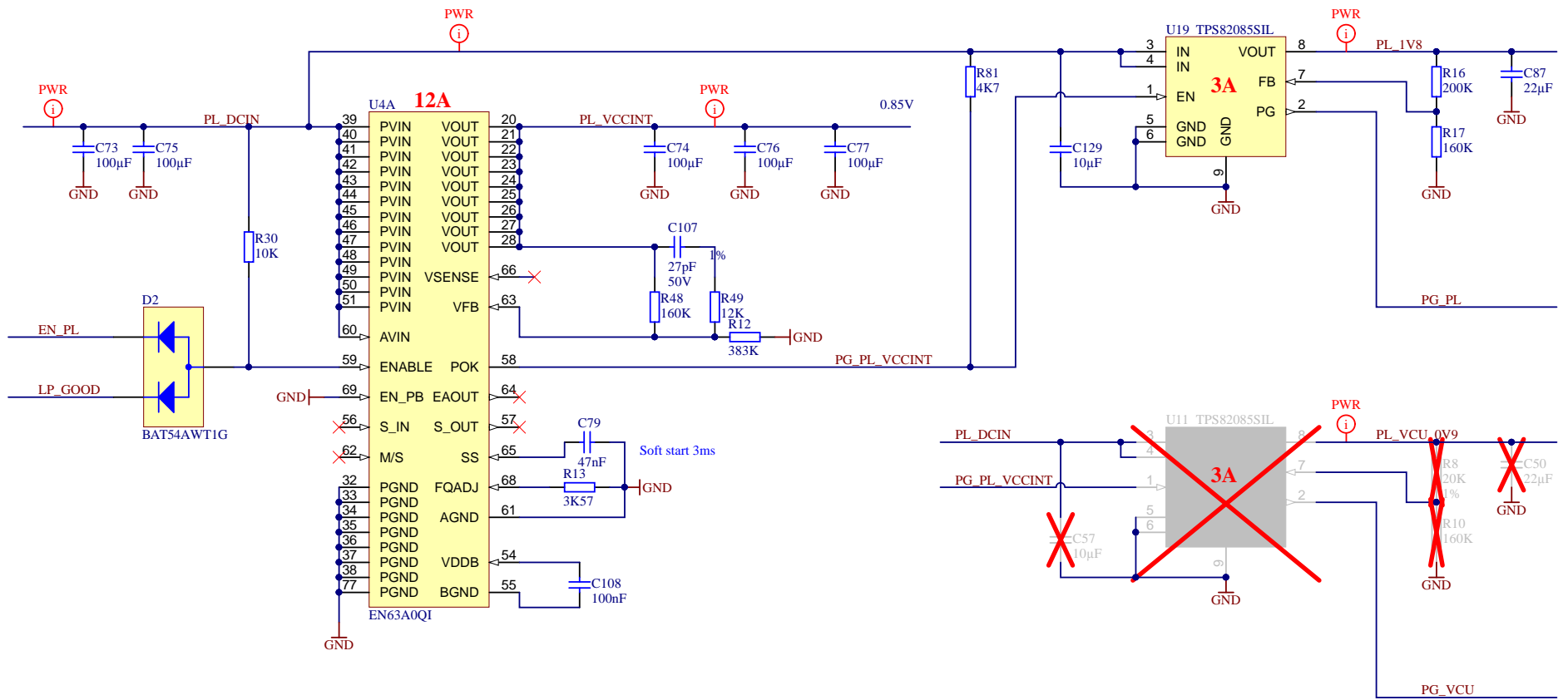
4

Title: TE0803 - DDR4_TERM		
A4	Number: TE0803 04CG-1EA	Rev. 01
Date: 2016-12-23	Copyright: Trenz Electronic GmbH / TT	Page21 of 26
Filename: DDR4-TERM.SchDoc		



Title: TE0803 - CLOCK		
A4	Number: TE0803 04CG-1EA	Rev. 01
Date: 2016-12-23	Copyright: Trenz Electronic GmbH / TT	Page22 of 26
Filename: Clock.SchDoc		



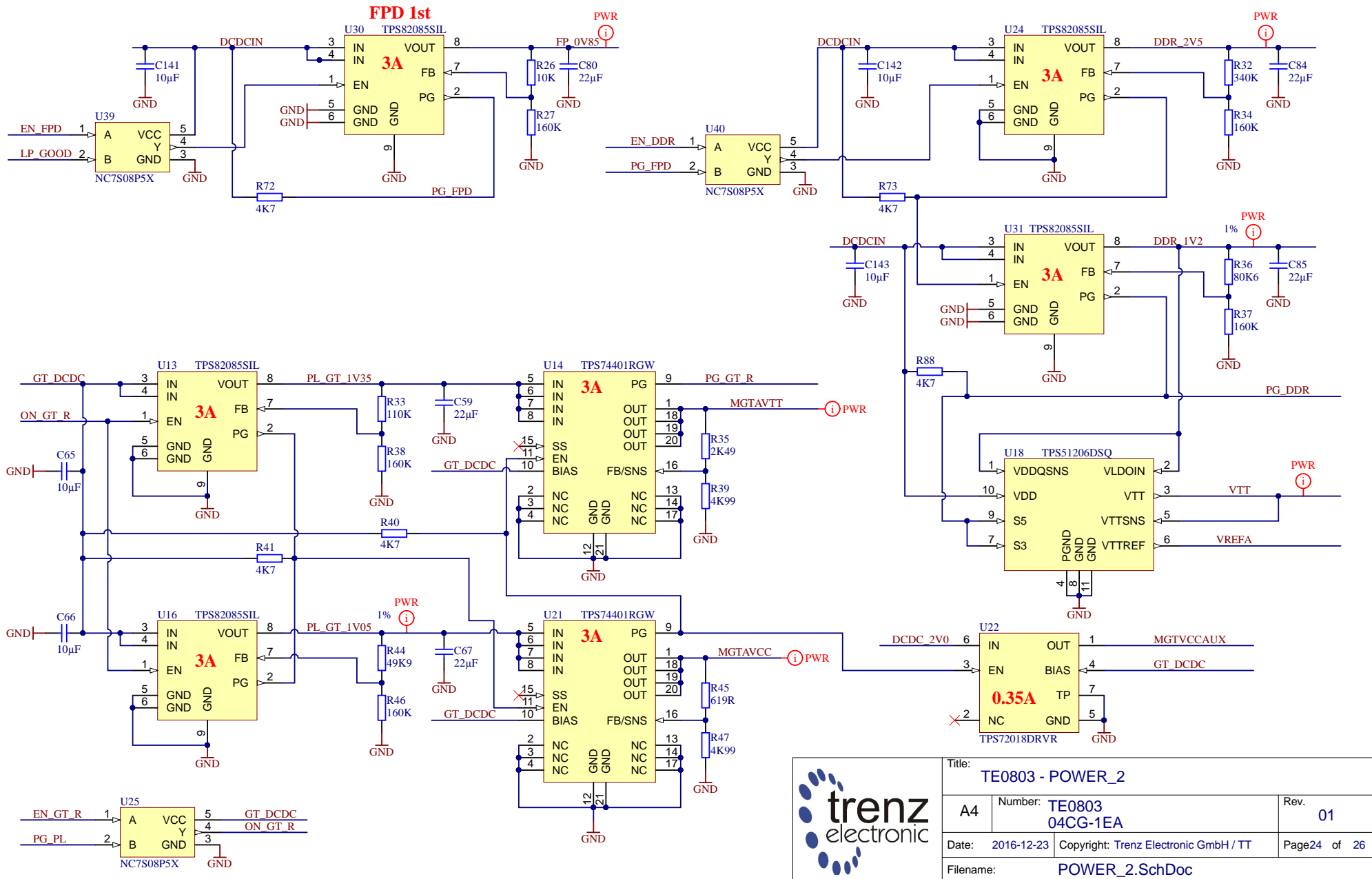
U4B

1	NC	NC	17
2	NC	NC	18
3	NC	NC	19
4	NC	NC	29
5	NC	NC	30
6	NC	NC(SW)	31
7	NC	NC(SW)	52
8	NC	NC	53
9	NC	NC	67
10	NC	NC(SW)	70
11	NC	NC(SW)	71
12	NC	NC(SW)	72
13	NC	NC	73
14	NC	NC	74
15	NC	NC	75
16	NC	NC	76

EN63A0QI

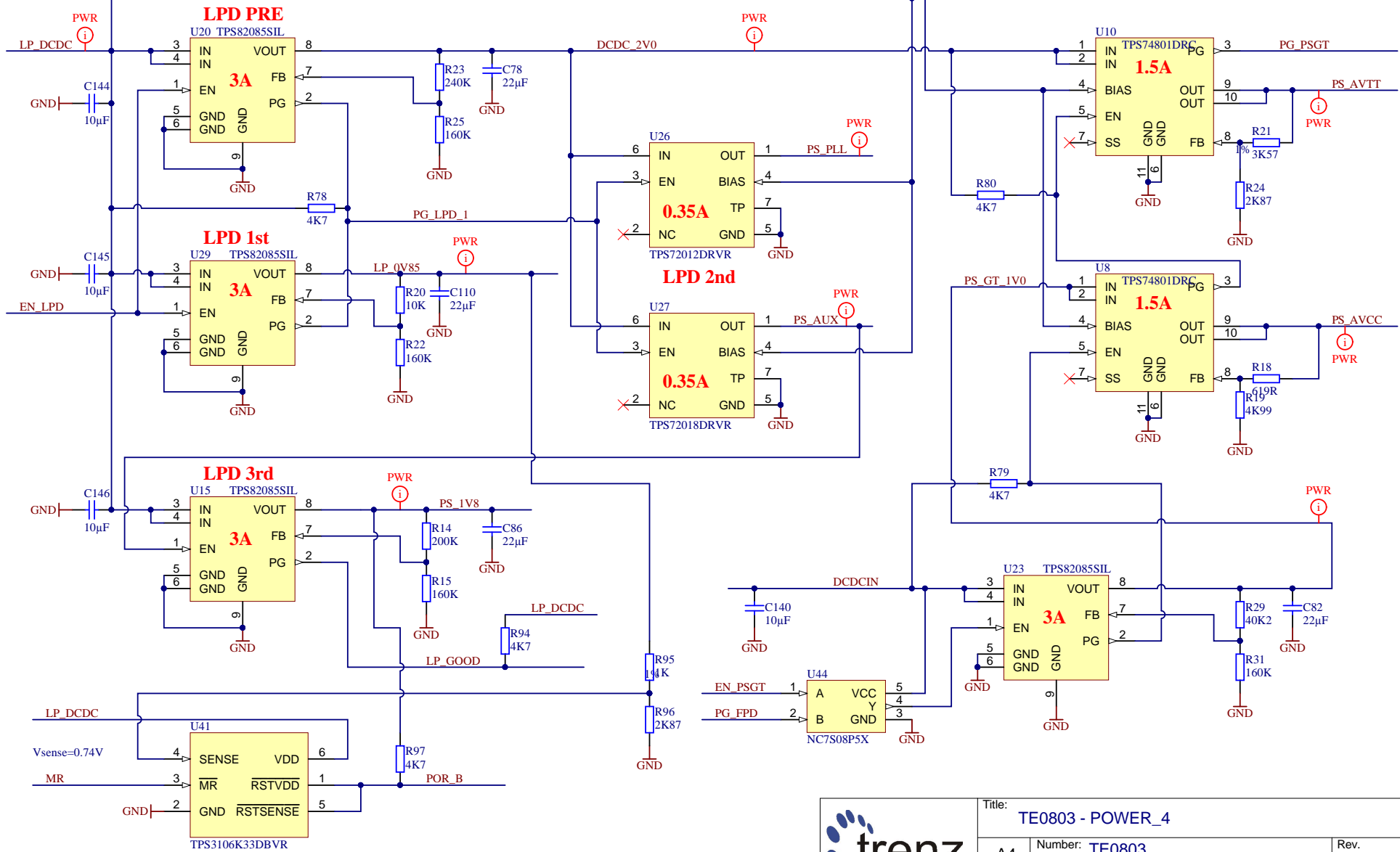


Title: TE0803 - POWER		
A4	Number: TE0803 04CG-1EA	Rev. 01
Date: 2016-12-23	Copyright: Trenz Electronic GmbH / TT	Page23 of 26
Filename: POWER.SchDoc		



Title: TE0803 - POWER_2		
A4	Number: TE0803 04CG-1EA	Rev. 01
Date: 2016-12-23	Copyright: Trenz Electronic GmbH / TT	Page24 of 26
Filename: POWER_2.SchDoc		





Title: TE0803 - POWER_4		
A4	Number: TE0803 04CG-1EA	Rev. 01
Date: 2016-12-23	Copyright: Trenz Electronic GmbH / TT	Page25 of 26
Filename: POWER_4.SchDoc		

1

2

3

4

CHANGES REV01a (20.11.2017):

1) VCU voltage set to 0.9V, R20 changed to 40K , PL\_VCU\_1V0 renamed to PL\_VCU\_0V9.

A

A

B

B

C

C

D

D



Title: TE0803 - Changes list		
A4	Number: TE0803 04CG-1EA	Rev. 01
Date: 2017-01-27	Copyright: Trenz Electronic GmbH	Page 26 of 26
Filename: Revision_Changes.SchDoc		

1

2

3

4