



October 23, 2019

Dear Valued Customer,

Vesper Technology is committed to provide our customers with the highest level of product quality and service. As such, we are notifying you of a change to the VM1000 part as detailed in Appendix A.

Vesper is updating the VM1000 microphone to enhance product performance and to help reduce manufacturing variability. These updates will consist of increasing the package height from 1.1mm to 1.3mm along with minor improvements to the product design to assure more predictable operations and improved manufacturing efficiencies. There will be no impact on function, quality or reliability. Details on the package change can be found in Appendix B as well as in an updated datasheet.

Please contact Vesper within 30 days of this notification with any questions or requests regarding this change. The first standard shipments with this change are planned for January 2020, however early shipments are possible.

With best regards,

David Woodilla

Director of Quality

quality@vespermems.com

Vespermems.com



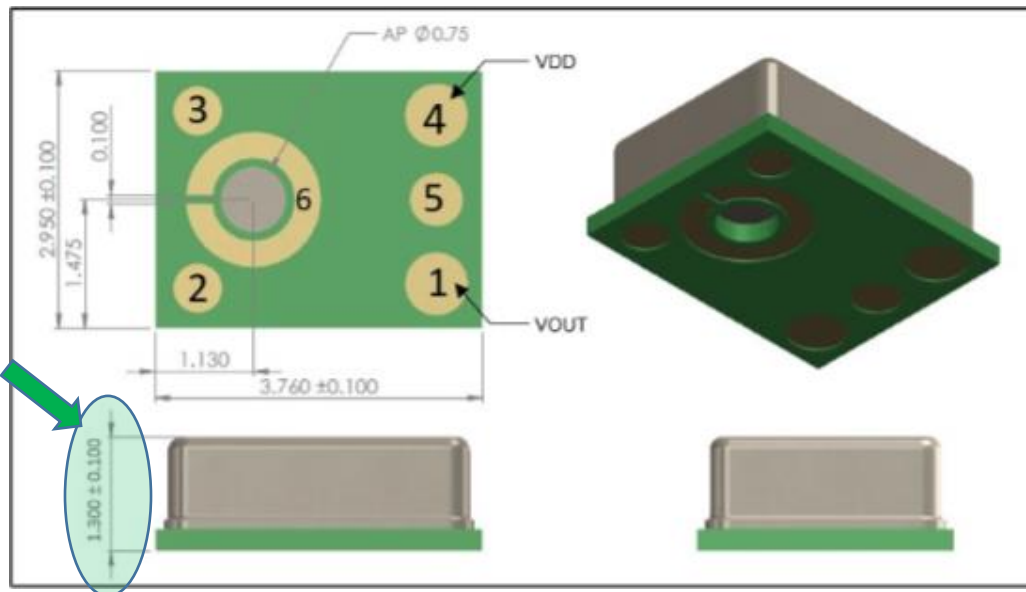
Appendix A: PCN Detail

PCN: 0001		Date: 23Oct19
Title: VM1000 - Product and Package Update		
Change Timing:		Last Order:
Samples: 01Nov19	Verification: 15Nov19	First Ship: 01Jan20
Change Classification:	<input checked="" type="checkbox"/> Major	<input type="checkbox"/> Minor
PCN Type:		
<input checked="" type="checkbox"/> Datasheet/Electrical Specification	<input type="checkbox"/> Foundry	<input type="checkbox"/> Packing
<input checked="" type="checkbox"/> Design / Product Revision	<input type="checkbox"/> Assembly	<input type="checkbox"/> Labeling
<input type="checkbox"/> Discontinuance	<input type="checkbox"/> Test	<input type="checkbox"/> Other
PCN Details		
<p>Description of Change: Vesper is updating the VM1000 microphone to enhance product performance and to help reduce manufacturing variability. These updates will consist of increasing the package height from 1.1mm to 1.3mm along with minor improvements to the product design to assure more predictable operations and improved manufacturing efficiencies.</p>		
<p>Reason for Change: Improved manufacturing efficiencies</p>		
<p>Affected Material: VM1000 - Low Noise Bottom Port Analog Single-Ended Piezoelectric MEMS Microphone</p>		
<p>Anticipated Impact: No change to the function, quality or reliability is expected with this product update. The package height will increase from 1.1mm to 1.3mm (see attached package drawing in Appendix B)</p>		
<p>Change Marking / Identification: New Marking: Package Brand line-2 will start with "9" Example: <u>9</u>4325M Old Marking: Package Brand line-2 starts with "A" Example: <u>A</u>92425</p>		



Appendix B: Package Height Change Detail

New Package Dimensions (Height = 1.3mm)



Old Package Dimensions (Height = 1.1mm)

