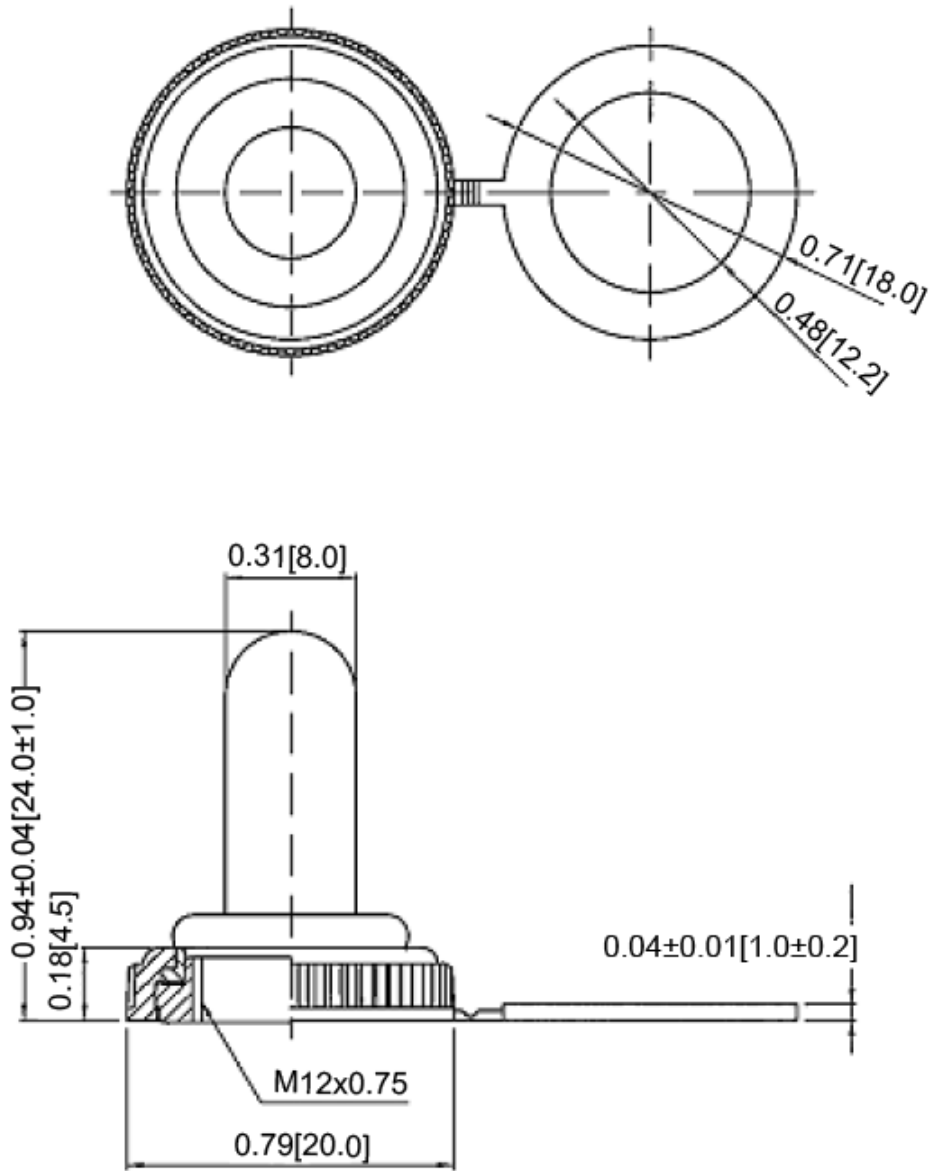


Mechanical Dimensions: Inches [mm]

Tolerances ± 0.012 [0.3] Unless Otherwise Specified



Material Specifications

Twisting Force (BBD: Screw Torque)	>10 Kg-cm
Drawing Force (BBD: Extraction Force)	>5 Kgf

Rev	Date of issue	Revision Notes	Designed	Approved
B	02-26-2020	Initial Drawing	RC	OF