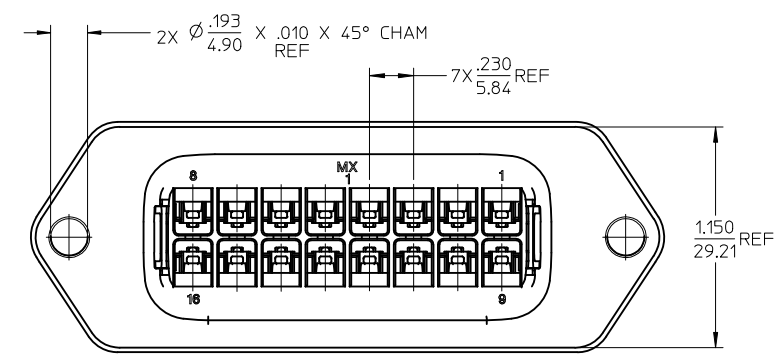
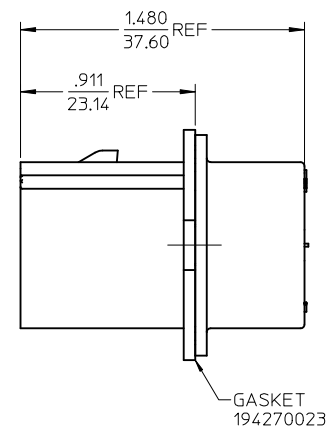
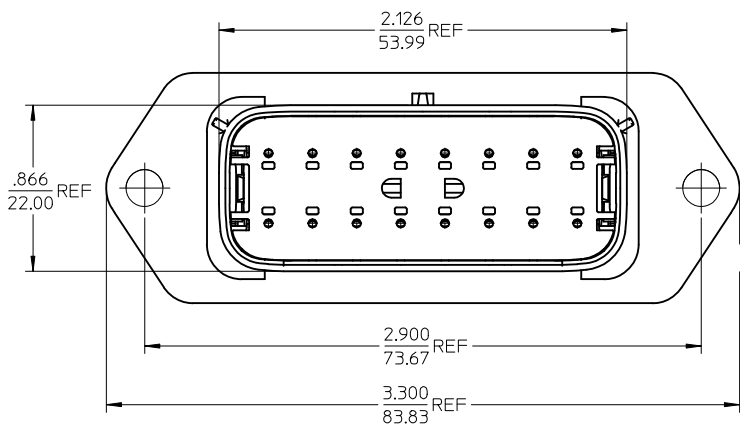
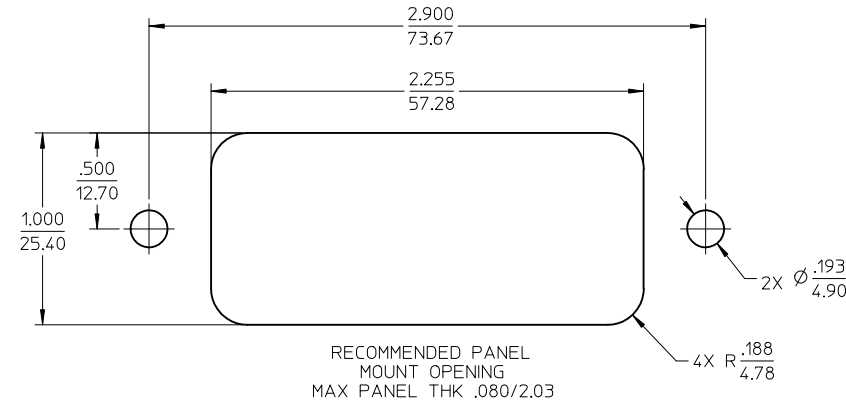
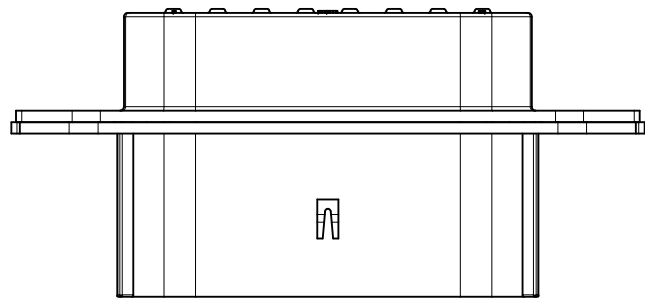


ASSEMBLED VIEW  
SCALE 1:1



- ②
- NOTES:
1. MATERIALS:  
HOUSING: POLYESTER (PBT), GLASS FILLED, UL94 V-0,COLOR: BLACK  
GASKET: EPDM RUBBER
  2. PRODUCT SPECIFICATION: PS-19417-001.
  3. PACKAGING SPECIFICATION: PK-19429-001.  
GASKETS, IF REQUIRED FOR THE ASSEMBLIES,  
ARE BULK PACKAGED IN A SEPARATE BAG.
  4. MATES WITH: 19418 SERIES RECEPTACLE ASSEMBLIES.
  5. USE CONNECTOR WITH MALE CRIMP TERMINAL: SERIES 19417.
  6. RECOMMENDED MOUNTING HARDWARE: (2) #10 X .62/15.8 LONG  
PLASTIC THREAD CUTTING SCREWS, RECOMMENDED TORQUE 15-17 IN-LBS.  
SUGGESTED SOURCE: ITW SHAKEPROOF INDUSTRIAL BOSSCREW OR EQUIVALENT.
  7. ASSEMBLY IS ROHS COMPLIANT.

194290048	YES
194290032	NO
MATERIAL NUMBER	GASKET

<b>REVISE NOTES</b> EC NO: IPG2012-0161 DRWN: WLEUNG 2012/02/10 CHKD: APPR: DITITUS 2012/02/28 REV	QUALITY SYMBOLS ▽ - 0 ▽ - 0	GENERAL TOLERANCES (UNLESS SPECIFIED) 4 PLACES ± --- ± --- 3 PLACES ± --- ± .015 2 PLACES ± 0.38 ± --- 1 PLACE ± --- ± --- ANGULAR ± 1 °	SCALE 2:1 DESIGN UNITS INCH DIMENSION STYLE IN/MM	TITLE 16 WAY PLUG PANEL MOUNT ASSEMBLY W/O BOSS 22-14 AWG	THIRD ANGLE PROJECTION REVISE ON CAD ONLY
	DRAFT WHERE APPLICABLE MUST REMAIN WITHIN DIMENSIONS	DRAWN BY DMYRICK DATE 04/07/21 CHECKED BY JPAWLICK DATE 04/07/21 APPROVED BY RDEROSS DATE 04/07/21	MATERIAL NO. SEE CHART DOCUMENT NO. SD-19429-016 SHEET NO. 1 OF 1	THIS DRAWING CONTAINS INFORMATION THAT IS PROPRIETARY TO MOLEX INCORPORATED AND SHOULD NOT BE USED WITHOUT WRITTEN PERMISSION	