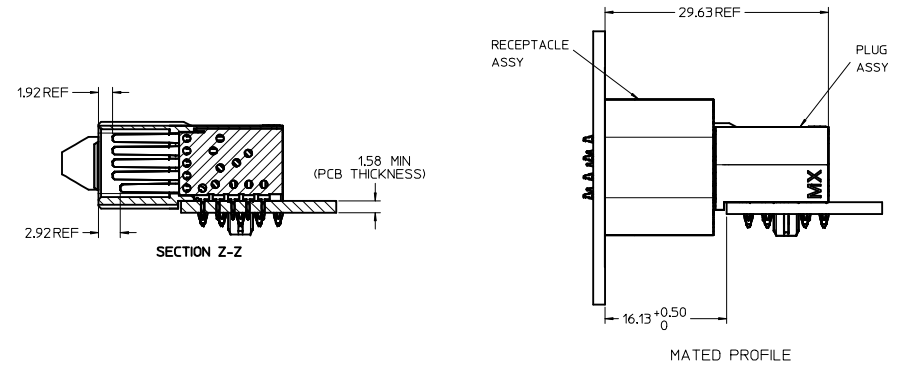
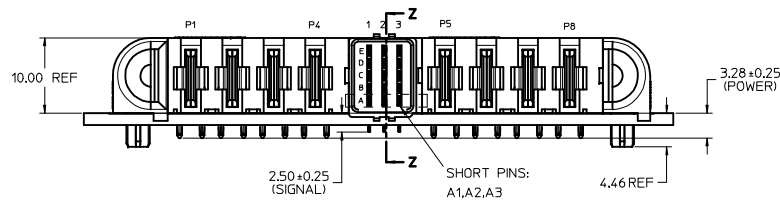


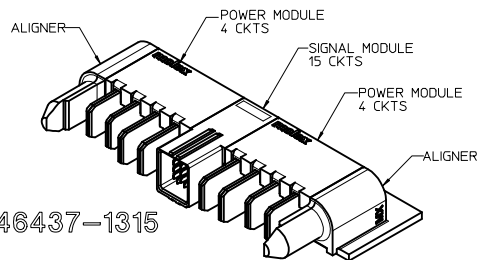
RECOMMENDED PCB LAYOUT AND KEEP-OUT ZONE



NOTES:

- MATERIAL:
  - HOUSINGS: LCP UL94 V-0, COLOR: BLACK.
  - TERMINALS: COPPER ALLOY.
  - PLATING: 0.00127 NICKEL OVERALL WITH 0.00254 SELECTIVE MATTE TIN ON TAILS, AND 0.000762 SELECTIVE GOLD ON CONTACT AREA.
- PACKAGING ASSEMBLIES TO BE TRAY PACKED, STD. QUANTITY: TBD.
- PC BOARD REQUIRES SOLDER THRU HOLES. REFER TO PS-46436-100 FOR DETAILS.
- PRODUCT SPEC.: PS-46436-100.
- APPLICATION SPEC.: AS-46436-100.
- SEE PRODUCT SPEC. FOR ROHS REQUIREMENTS.
- ASSEMBLY MATES WITH MOLEX RECEPTACLE ASSEMBLY, P/N 46562-1232.

P/N: 46437-1315



INITIAL RELEASE EC NO: UCP2013-0385 DRWNL:KCHEW CHKD: APPR:SHONG	2012/07/30	2012/11/06	QUALITY SYMBOLS	GENERAL TOLERANCES (UNLESS SPECIFIED)	DIMENSION STYLE MM ONLY	SCALE 3:1	DESIGN UNITS METRIC	THIRD ANGLE PROJECTION
			▽=0	4 PLACES ± --- ± ---	DRAWN BY DATE GB 2012/06/22			
			▽=0	3 PLACES ± --- ± ---	CHECKED BY DATE JESSIECHUA			
			▽=0	2 PLACES ± 0.25 ± ---	APPROVED BY DATE SHONG 2012/11/06			
			▽=0	1 PLACE ± 0.25 ± ---				
				0 PLACE ± --- ± ---				
				ANGULAR ±1/2°	MATERIAL NO. 46437-1315			
				DRAFT WHERE APPLICABLE MUST REMAIN WITHIN DIMENSIONS	SIZE A1			
							DOCUMENT NO. SD-46437-1315	SHEET NO. 1 OF 1

RA PLUG ASSY  
G-4P-15S-4P-G  
TEN60 POWER FAMILY

**molex**

THIS DRAWING CONTAINS INFORMATION THAT IS PROPRIETARY TO MOLEX INCORPORATED AND SHOULD NOT BE USED WITHOUT WRITTEN PERMISSION