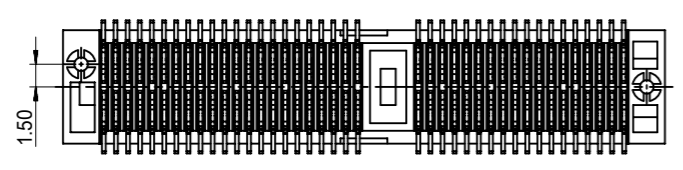
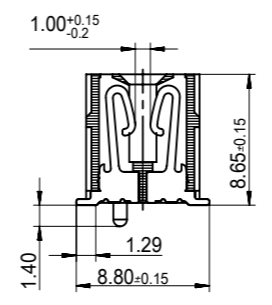
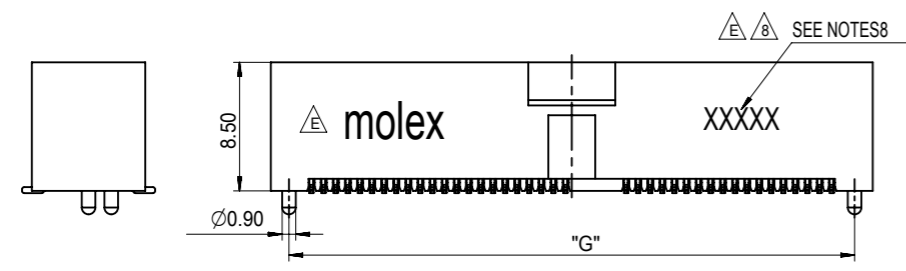


RECOMMENDED PCB LAYOUT



NOTES:

- MATERIAL:
HOUSING: LIQUID CRYSTAL POLYMER 30% GLASS FIBER UL 94V-0 RATED
COLOR: BLACK
CONTACT: PHOSPHOR BRONZE.
- PLATING:
TERMINAL :
CONTACT AREA: SEE TABLE
SOLDER TAIL AREA : 100 MICRONCH MIN. TIN OVER 50 MICRONCH MIN. NICKEL.OVERALL
- PRODUCT SPECIFICATION: PS-48191-001
- PACKAGING SPECIFICATION: PK-48191-001
- TEST SUMMARY : TS-48191-001
- COPLANARITY SHOULD BE 0.1mm MAX
7. LEAD FREE AND ROHS COMPLIANCE PRODUCT.
8. DATE CODE:XX<YEAR> XX<WEEK> X<LOCATION>

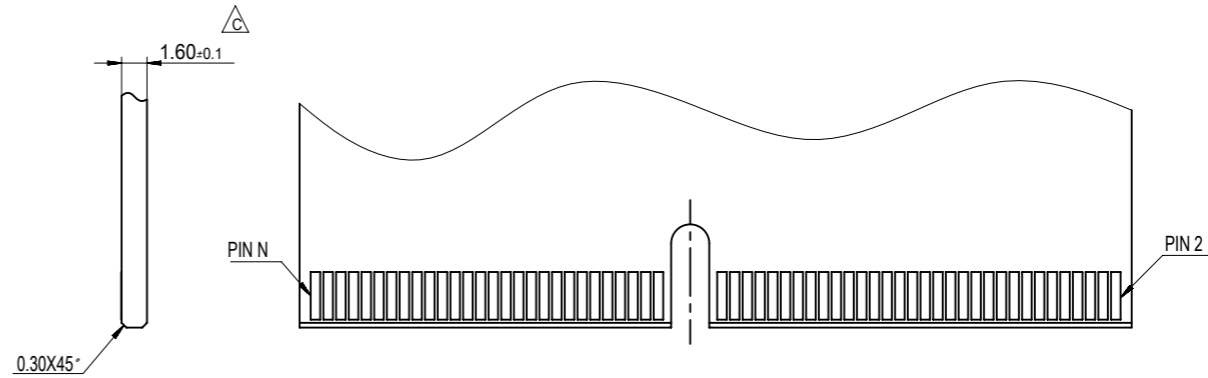
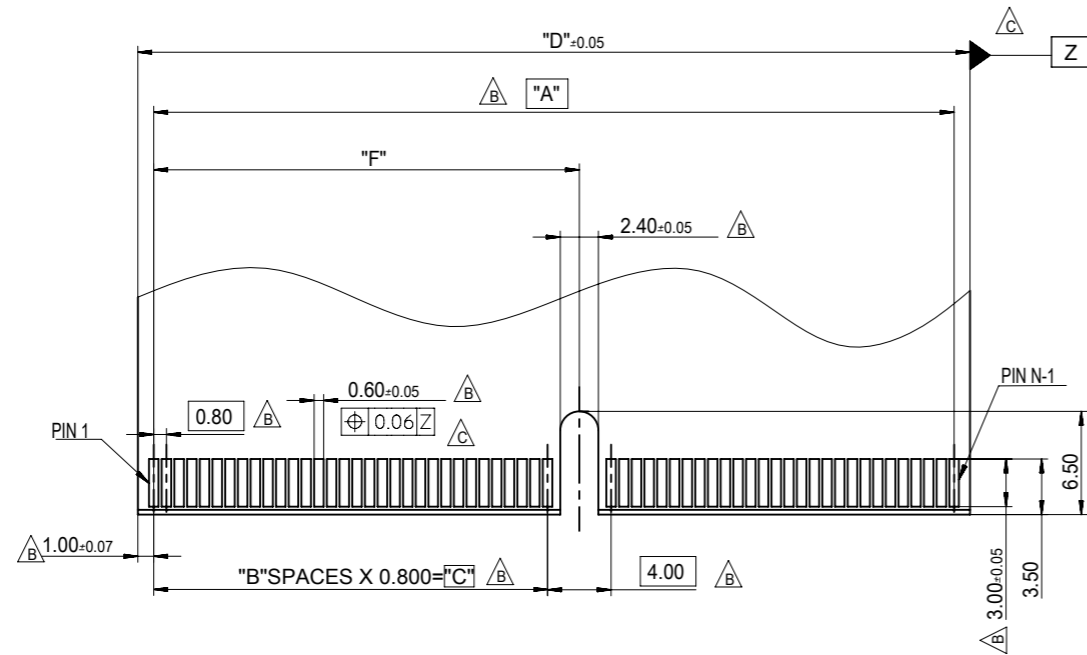
No OF POS	"A"	"B"	"C"	"D"	"E"	"F"	"G"
140ckt	30.80	36	28.80	60.55	63.80	58.40	61.40

THIS DRAWING CONTAINS INFORMATION THAT IS PROPRIETARY TO MOLEX ELECTRONIC TECHNOLOGIES, LLC AND SHOULD NOT BE USED WITHOUT WRITTEN PERMISSION

DIMENSION UNITS	SCALE	CURRENT REV DESC: OBSOLETE PART NUMBER	molex		
mm	1:1				
GENERAL TOLERANCES (UNLESS SPECIFIED)			0.8MM EDGE CARD CONNECTOR SMT TYPE		
			PRODUCT CUSTOMER DRAWING		
4 PLACES	±		EC NO: 638770	2020/03/11	
3 PLACES	±		DRWN: VLOKESHA	2020/07/21	
2 PLACES	±	0.25	CHK'D: GGA	2020/07/21	
1 PLACE	±	0.25	APPR: GGA	2020/07/21	
0 PLACES	±		INITIAL REVISION:		
ANGULAR TOL ± 3.0°			DRWN: TOM	2005/10/15	
			APPR: WILSON	2005/10/15	
DRAFT WHERE APPLICABLE MUST REMAIN WITHIN DIMENSIONS		THIRD ANGLE PROJECTION	DRAWING	SERIES	MATERIAL NUMBER
			A3-SIZE	48191	SEE TABLE
			CUSTOMER		
			GENERAL MARKET		
			SHEET NUMBER		
			1 OF 2		

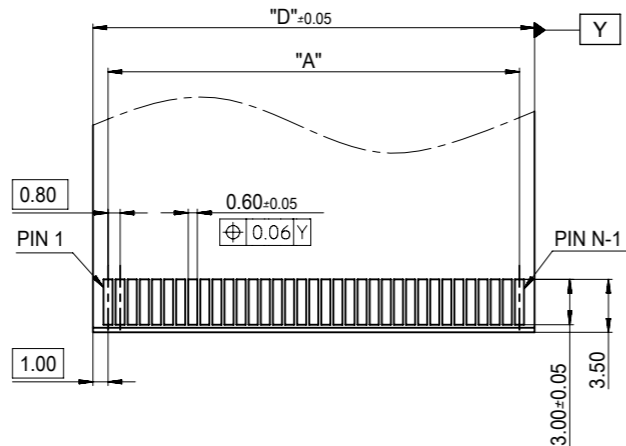
48191-4000	140	GOLD 15 MICROINCH
MOLEX P/N	CKT	CONTACT PLATING
DOCUMENT STATUS	P1	RELEASE DATE
		2020/07/21 04:43:00

RECOMMENDED PCB MODULE LAYOUT (FOR 80~200CKT)



POSITION	"A"	"B"	"C"	"D"	"F"
140ckt	58.400	36	28.800	60.400	30.800

RECOMMENDED PCB MODULE LAYOUT (FOR 40~70CKT)



THIS DRAWING CONTAINS INFORMATION THAT IS PROPRIETARY TO MOLEX ELECTRONIC TECHNOLOGIES, LLC AND SHOULD NOT BE USED WITHOUT WRITTEN PERMISSION

DIMENSION UNITS	SCALE	CURRENT REV DESC: OBSOLETE PART NUMBER		molex	
mm	1:1				
GENERAL TOLERANCES (UNLESS SPECIFIED)				0.8MM EDGE CARD CONNECTOR SMT TYPE	
				PRODUCT CUSTOMER DRAWING	
4 PLACES	±	EC NO: 638770	2020/03/11	DOCUMENT NUMBER	DOC TYPE
3 PLACES	±	DRWN: VLOKESHA	2020/07/21	SD-48191-001	PSD
2 PLACES	± 0.25	CHK'D: GGA	2020/07/21		
1 PLACE	± 0.25	APPR: GGA	2020/07/21	SERIES	MATERIAL NUMBER
0 PLACES	±	INITIAL REVISION:			
ANGULAR TOL ± 3.0°		DRWN: TOM	2005/10/15	A3-SIZE	48191
DRAFT WHERE APPLICABLE MUST REMAIN WITHIN DIMENSIONS		APPR: WILSON	2005/10/15		
		THIRD ANGLE PROJECTION			