

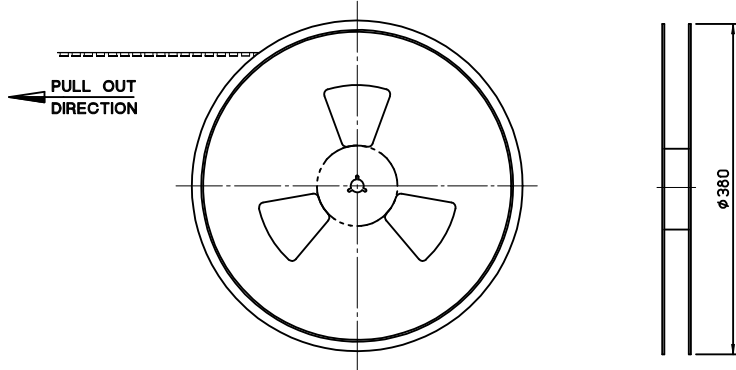


⑨	SPRING	49225-9001	STAINLESS STEEL	
⑧	PIN ROD	49225-9002	STAINLESS STEEL	
⑦	STOPPER TERMINAL	49772-8003	PHOS.-BRONZE	PURE-Sn over Ni
⑥	GND. TERMINAL	49771-8003	PHOS.-BRONZE	Selective-Au over Ni
⑤	SWITCH TERMINAL	49770-8003	PHOS.-BRONZE	Selective-Au over Ni
④	HEART CAM	49355-0001	LIQUID CRYSTAL POLYMER	Natural Color
③	HOUSING	49225-0891	LIQUID CRYSTAL POLYMER	
②	METAL SHELL	49769-5003	STAINLESS STEEL	Selective-Au over Ni
①	CONTACT TERMINAL 1,2,3	49768-8*30	PHOS.-BRONZE	Selective-Au over Ni
NO.	DESCRIPTION	ENGINEERING NO.	MATERIALS	FINISHES

REVISED EC NO: DRWN: SUNGHYUK JOO 2010/02/23 CHKD: YSOOK IM APPR:	DESCRIPTION REV	QUALITY SYMBOLS	GENERAL TOLERANCES (UNLESS SPECIFIED)	DIMENSION STYLE	SCALE	DESIGN UNITS	THIRD ANGLE PROJECTION	
		▽=0 ∇=0	mm      INCH 4 PLACES ± --- ± --- 3 PLACES ± --- ± --- 2 PLACES ± 0.15 ± --- 1 PLACE ± 0.20 ± --- ANGULAR ± 1 °	MM ONLY	5:1	METRIC	DRAWN BY: S.H. JOO      DATE: 2005/09/14 CHECKED BY:              DATE:	TITLE
							APPROVED BY: S.J. SEH      DATE: 2005/09/14 MATERIAL NO.	M-SD MEMORY CARD SOCKET P/P.REVERSE, WITH SWT LOW RETENTION FORCE
							SEE TABLE SIZE: A3	MOLEX INCORPORATED DOCUMENT NO. SD-49225-201 SHEET NO. 2 OF 3

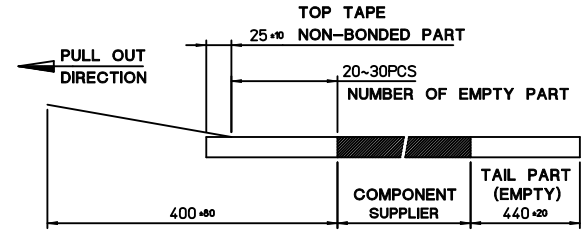
DRAFT WHERE APPLICABLE MUST REMAIN WITHIN DIMENSIONS

THIS DRAWING CONTAINS INFORMATION THAT IS PROPRIETARY TO MOLEX INCORPORATED AND SHOULD NOT BE USED WITHOUT WRITTEN PERMISSION



**NOTES**

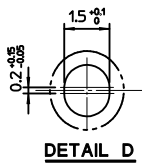
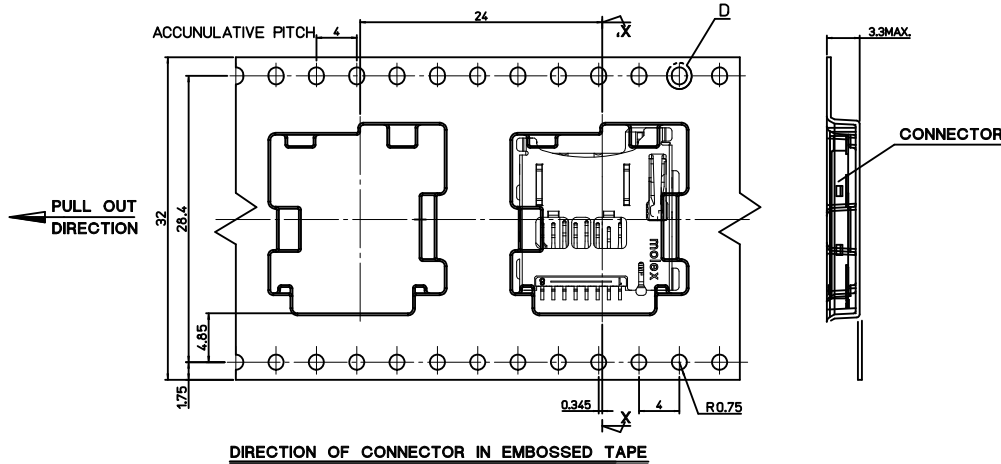
- 1. QUANTITY OF CONNECTORS : 1,100PCS/REEL
- 2. LEAD LENGTH



- 3. PEELING OFF FORCE OF COVER TAPE : 0.1N~0.59N(10.2GF~60GF)  
(PEELING DIRECTION AS SHOW IN FOLLOW FIG.)
- PEELING OFF SPEED : 300mm/MIn.(Ref.)



35902-1011	35908-1003	35902-2108	49225-0811	492250817	49225-0817	8
COVER TAPE	REEL	EMBOSSSED TAPE	CONNECTOR	MATERIAL NO.	ENG. NO.	CKT



REVISED	EC NO: DRWN: SUNGHYUK.00 2010/02/23 CHKD: YS00KIM APPR:	DESCRIPTION	QUALITY SYMBOLS	GENERAL TOLERANCES (UNLESS SPECIFIED)	DIMENSION STYLE	SCALE	DESIGN UNITS	THIRD ANGLE PROJECTION
			▽=0 ∠=0	mm INCH	MM ONLY	2:1	METRIC	⊙ □
REV	D		4 PLACES	± --- ± ---	DRAWN BY	DATE	TITLE	M-SD MEMORY CARD SOCKET P/P.REVERSE.WITH SWT LOW RETENTION FORCE
			3 PLACES	± --- ± ---	S. H. JOO	2005/09/14		
			2 PLACES	± 0.15 ± ---	CHECKED BY	DATE	MOLEX INCORPORATED	SD-49225-201
			1 PLACE	± 0.20 ± ---	APPROVED BY	DATE		
				ANGULAR ± 1 °	S. J. SEH	2005/09/14	DOCUMENT NO.	SHEET NO.
				DRAFT WHERE APPLICABLE MUST REMAIN WITHIN DIMENSIONS	MATERIAL NO.	SEE TABLE		3 OF 3
					SIZE	A3	THIS DRAWING CONTAINS INFORMATION THAT IS PROPRIETARY TO MOLEX INCORPORATED AND SHOULD NOT BE USED WITHOUT WRITTEN PERMISSION	

9	SPRING	49225-9001	STAINLESS STEEL	
8	PIN ROD	49225-9002	STAINLESS STEEL	
7	STOPPER TERMINAL	49772-8003	PHOS.-BRONZE	PURE-Sn over Ni
6	GND. TERMINAL	49771-8003	PHOS.-BRONZE	Selective-Au over Ni
5	SWITCH TERMINAL	49770-8003	PHOS.-BRONZE	Selective-Au over Ni
4	HEART CAM	49355-0001	LIQUID CRYSTAL POLYMER	Natural Color
3	HOUSING	49225-0891	LIQUID CRYSTAL POLYMER	
2	METAL SHELL	49769-5003	STAINLESS STEEL	Selective-Au over Ni
1	CONTACT TERMINAL 1,2,3	49768-8*30	PHOS.-BRONZE	Selective-Au over Ni
NO.	DESCRIPTION	ENGINEERING NO.	MATERIALS	FINISHES

DWG. NO. SD-49225-201  
 SIMILAR ITEM  
 PROJECT NO. C  
 B  
 DO NOT SCALE DRAWING DIMENSION IN METRIC

F  
 E  
 D  
 C  
 B  
 A

<b>NEW RELEASE</b> ECN NO. KOR2007-0077 DRWN: S.H.JOO 08/12/29 CHK: APPR: S.J.SEH	QUALITY SYMBOLS	GENERAL TOLERANCES: (UNLESS SPECIFIED)	SCALE 5 / 1	DESIGN UNITS <input checked="" type="checkbox"/> mm <input type="checkbox"/> INCH	THIRD ANGLE PROJECTION <input checked="" type="checkbox"/> <input type="checkbox"/>	DIMENSIONS: <input type="checkbox"/> mm <input type="checkbox"/> INCH <input checked="" type="checkbox"/> mm ONLY	TITLE: <b>microSD MEMORY CARD SOCKET</b> PUSH-PUSH / REVERSE TYPE / WITH SWITCH ( LOW RETENTION FORCE VERSION )
	MAJOR $\blacktriangledown = 0$ CRITICAL $\blacktriangledown C = 0$	4 PLACES $\pm 0.1$ mm $\pm$ INCH 3 PLACES $\pm 0.15$ mm $\pm$ INCH 2 PLACES $\pm 0.2$ mm $\pm$ INCH 1 PLACE $\pm 0.2$ mm $\pm$ INCH	DRAWN BY & DATE <b>S.H.JOO 05/09/14</b> CHECKED BY & DATE <b>S.H.JOO</b> APPROVED BY & DATE <b>S.J.SEH</b>	MATERIAL NO. <b>SEE TABLE</b>			
	REV	DESCRIPTION	ANGULAR: $\pm$ °	CAD FILENAME <b>SD49225002.MI</b>	MATERIAL NO.	DRAWING NO.	SHEET NO.
	A	DRAFT WHERE APPLICABLE MUST REMAIN WITHIN DIMENSIONS	THIS DRAWING CONTAINS INFORMATION THAT IS PROPRIETARY TO MOLEX INCORPORATED AND SHOULD NOT BE USED WITHOUT WRITTEN PERMISSION.	KOREA	SIZE B	MX-A3	

492250821	49225-0821
MATERIAL NO.	ENGINEERING NO.
SHT	REV
REVISE ON CAD ONLY	