

MATERIALS AND FINISHES

BODY
BRASS, GOLD PLATED

CENTER CONTACT
BRASS, GOLD PLATED
COMPONENT # 89665-2602

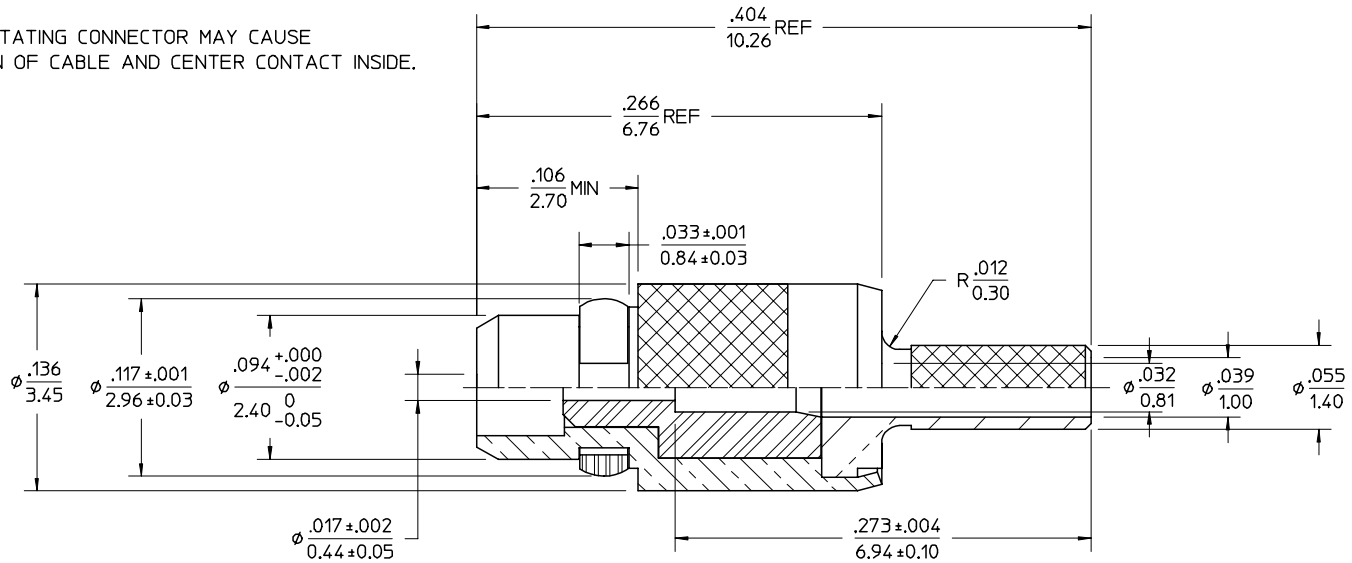
INSULATOR
TEFLON

SNAP RING
BERYLLIUM COPPER, GOLD PLATED

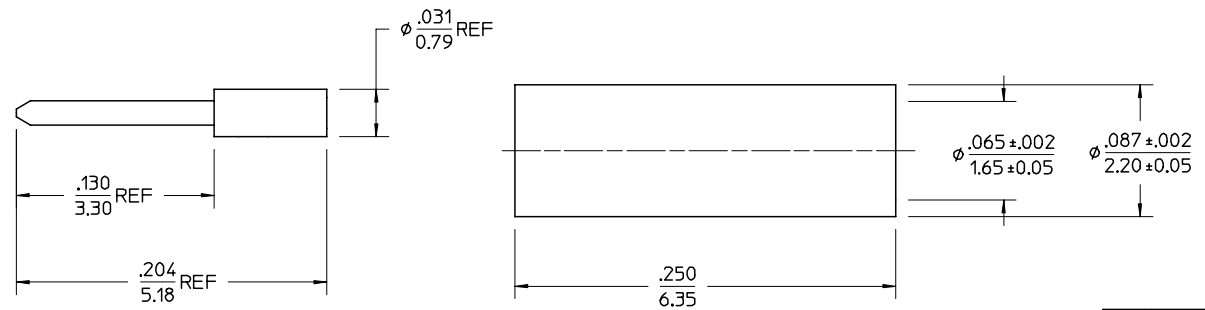
CRIMP TUBE
BRASS, GOLD OR BLACK ZINC PLATED
COMPONENT #89613-1004

MATING FORCE: 3.4 LBS MIN.
UNMATING FORCE: 1.0 TO 3.0 LBS

NOTE:
EXCESSIVE ROTATING CONNECTOR MAY CAUSE
DISCONNECTION OF CABLE AND CENTER CONTACT INSIDE.



73415-3401	BLACK ZINC PLATED
73415-3400	GOLD PLATED
PART NUMBER	PLATED FOR CRIMP TUBE



AS-73597-0140	CABLE ASSEMBLY INSTRUCTION
ES-73599-0000-0150	INTERFACE
PS-73598-0200	ELECTRO/MECH PERFORMANCE

SPECIFICATION	DESCRIPTION
CHG: ADD NEW CENTER CONTACT EC NO. RF04-103 DRWN: JOHN MAR/11/04 CHK: JOHNSON MAR/11/04 APPR: MISEN MAR/11/04	NEW CONTACT.
CHG: REDREW TO SHOW NEW CONTACT. EC NO. URF-2009 DRWN: AZR 02/16/04 CHK: SSS 02/16/04 APPR: JDW 02/16/04	CHG CENTER CONTACT LENGTH 5.18 WAS 5.08
EC NO. RF04-035 DRWN: JOHN OCT/20/03 CHK: JOHNSON CHENG APPR: MISEN HUANG	
CHGFS-73598-0200 WAS 89675-1900 EC NO. RF04-026 DRWN: CLAIRE 2003/09/26 CHK: KENNY SU APPR: MISEN HUANG	

UNLESS OTHERWISE SPECIFIED DIMS ARE INCHES AND ANGLES ARE DEGREES.

- ✓ 63 ALL OVER.
- NO CHATTER OR NON-UNIFORM SURFACE FINISH ALLOWED.
- PARTS TO BE FREE OF BURRS & SHARP EDGES .005 MAX BREAK.
- EXTERNAL THREADS TO BE ROLLED OR SINGLE POINT.
- DIAMETERS TO BE CONCENTRIC WITHIN .003 TIR.

QUALITY SYMBOLS	GENERAL TOLERANCES: (UNLESS SPECIFIED)	SCALE	DESIGN UNITS	THIRD ANGLE PROJECTION
MAJOR	mm INCH	DRAWN BY & DATE	mm INCH	THIRD ANGLE PROJECTION
CRITICAL	4 PLACES * * * * *	LYNN LIN 2001/06/13		
	3 PLACES * * * * *	CHECKED BY & DATE		
	2 PLACES * .10 * * * * *	JOHNSON MAR/15/04		
	1 PLACE * .25 * * * * *	APPROVED BY & DATE		
	ANGULAR: ±2°	MISEN MAR/15/04		
	DRAFT WHERE APPLICABLE MUST REMAIN WITHIN DIMENSIONS	CAD FILENAME		

DIMENSIONS:		1	K3
mm INCH	mm ONLY	SHT	REV
TITLE:		REVISE ON CAD ONLY	
50 OHM MMCX(P) STR. 1.13&1.37mm CABLE			
MMCX-PC			
MOLEX MOLEX INCORPORATED - TAIWAN (MXT)			
MATERIAL NO. SEE NOTE	DRAWING NO. SD-73415-340	SHEET NO. 1 of 1	
THIS DRAWING CONTAINS INFORMATION THAT IS PROPRIETARY TO MOLEX INCORPORATED AND SHOULD NOT BE USED WITHOUT WRITTEN PERMISSION.			SIZE B