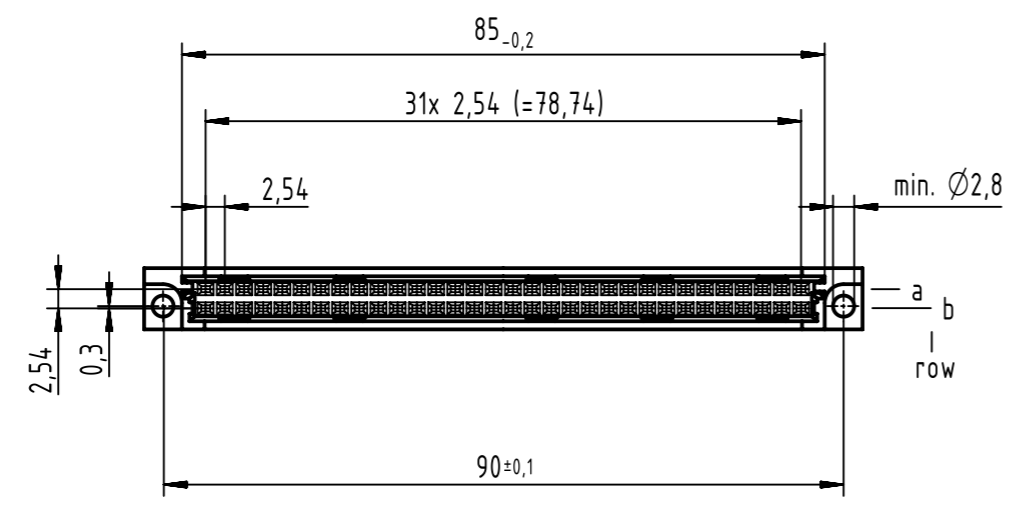
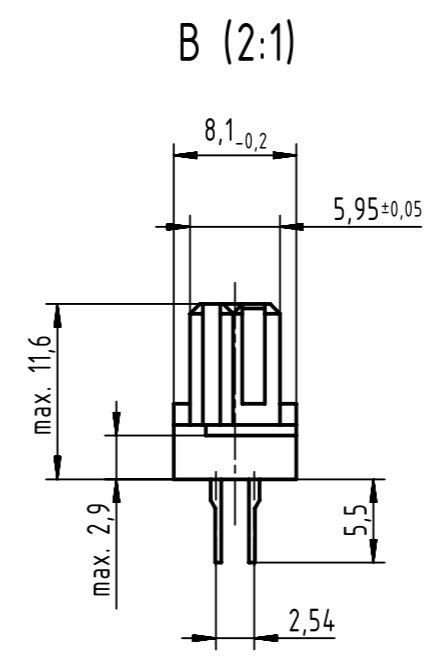
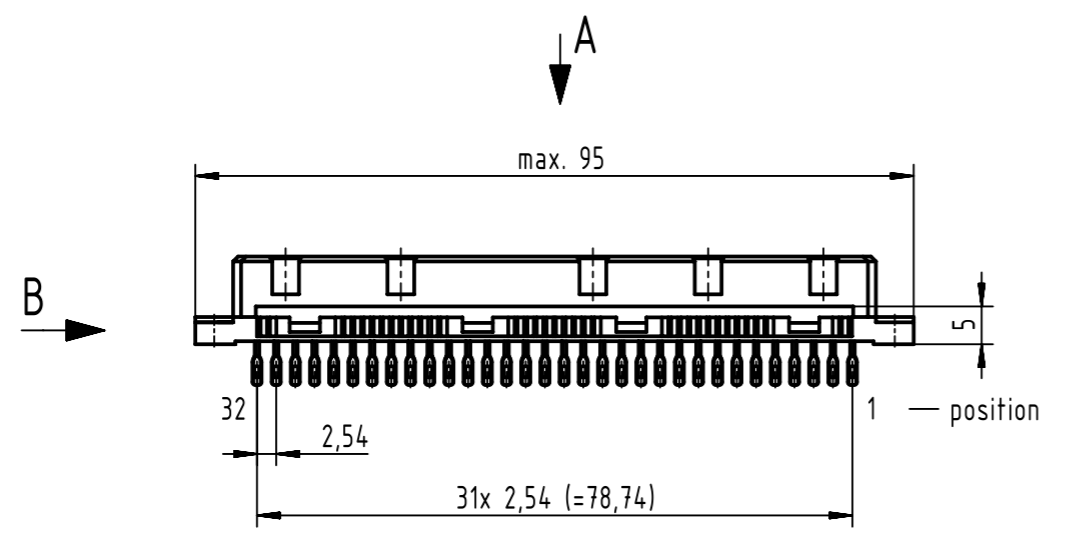


64 solder lug contacts
 ☒ = position with solder lug 5.5mm
 □ = position without contact



09 02 264 6823	2
part no.	performance level 1

1 further information see: DS 09032100007

	All Dimensions in mm Original Size DIN A3	Scale 1:1	Free size tol. IEC 60603-2	Ref.
	All rights reserved Department EC PD - DE	Created by ELLERMANN	Inspected by TADJE	Standardisation HOFFMANN
HARTING Electronics GmbH D-32339 Espelkamp	Title DIN Signal type B female solder lug 64-pole			Date 2017-01-02
	Type TB			State Final Release
Number 0902264X823				Doc-Key / ECM-Nr. 100083091/UGD/002/C 500000113162
				Rev. C
				Page 1/1