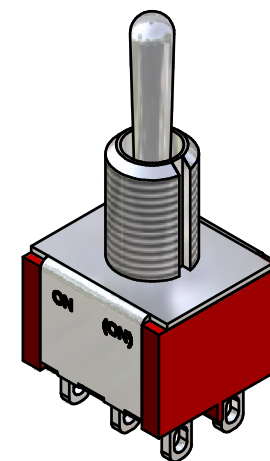
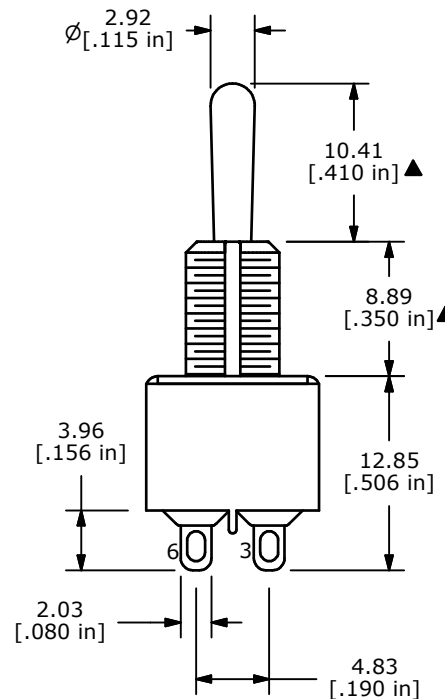
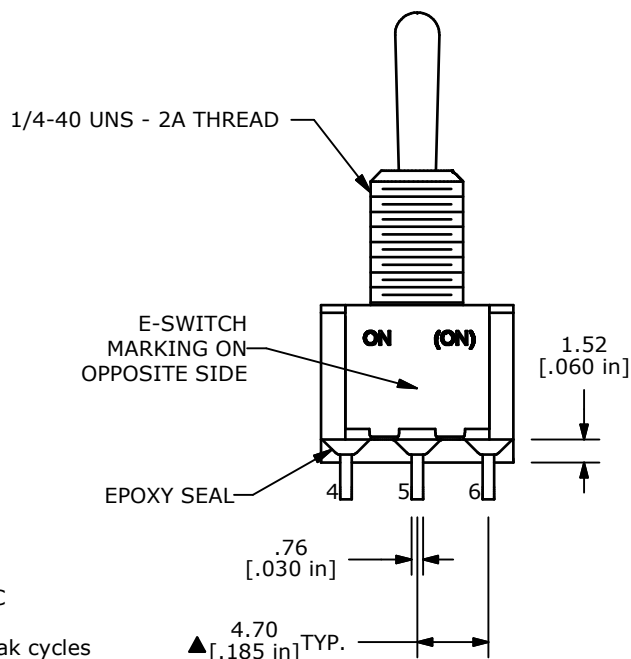
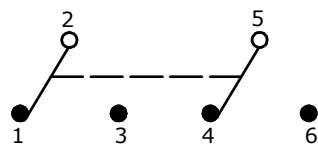


SWITCH FUNCTION		
POS. 1	POS. 2	POS. 3
ON	NONE	(ON)
2-3, 5-6	N/A	2-1, 5-4



ISOMETRIC

NOTE:

- ALL DIMENSIONS IN MM [INCH]
- GENERAL TOLERANCE: X.X=±0.4
X.XX=±0.25
- TERMINAL NUMBERS FOR REF ONLY
- PLATING MATERIAL: SILVER
- ▲ RATING: 5 AMPS @ 120VAC OR 28VDC
2 AMPS @ 250VAC
- ELECTRIC LIFE: 40,000 make-and-break cycles at full load.
- INSULATION RESISTANCE: 1,000 Mega-ohm min.
- DIELECTRIC STRENGTH: 1,000 V RMS @sea level.
- OPERATING TEMP.: -30°C to 85°C
- 2002/95/EC (ROHS) COMPLIANT
- ▲ DENOTES CRITICAL PARAMETER.
- ▲ 12. HARDWARE TO BE SUPPLIED IN BULK:
T100011-LOCK WASHER QTY-1
T100015-LOCK RING QTY-1
T100000-HEX NUT QTY-2



TITLE 100DP2T1B1M1QEH

A	17817	RELEASED FOR PRODUCTION	10/31/07	BF
REV	PCR NO	DESCRIPTION	DATE	BY

SCALE	DATE	DR	DWG	REV
2:1	10/31/2007	BF	ST122002	A

THE INFORMATION CONTAINED IN THIS DOCUMENT IS PROPRIETARY TO E-SWITCH AND IS NOT TO BE COPIED OR TRANSFERRED