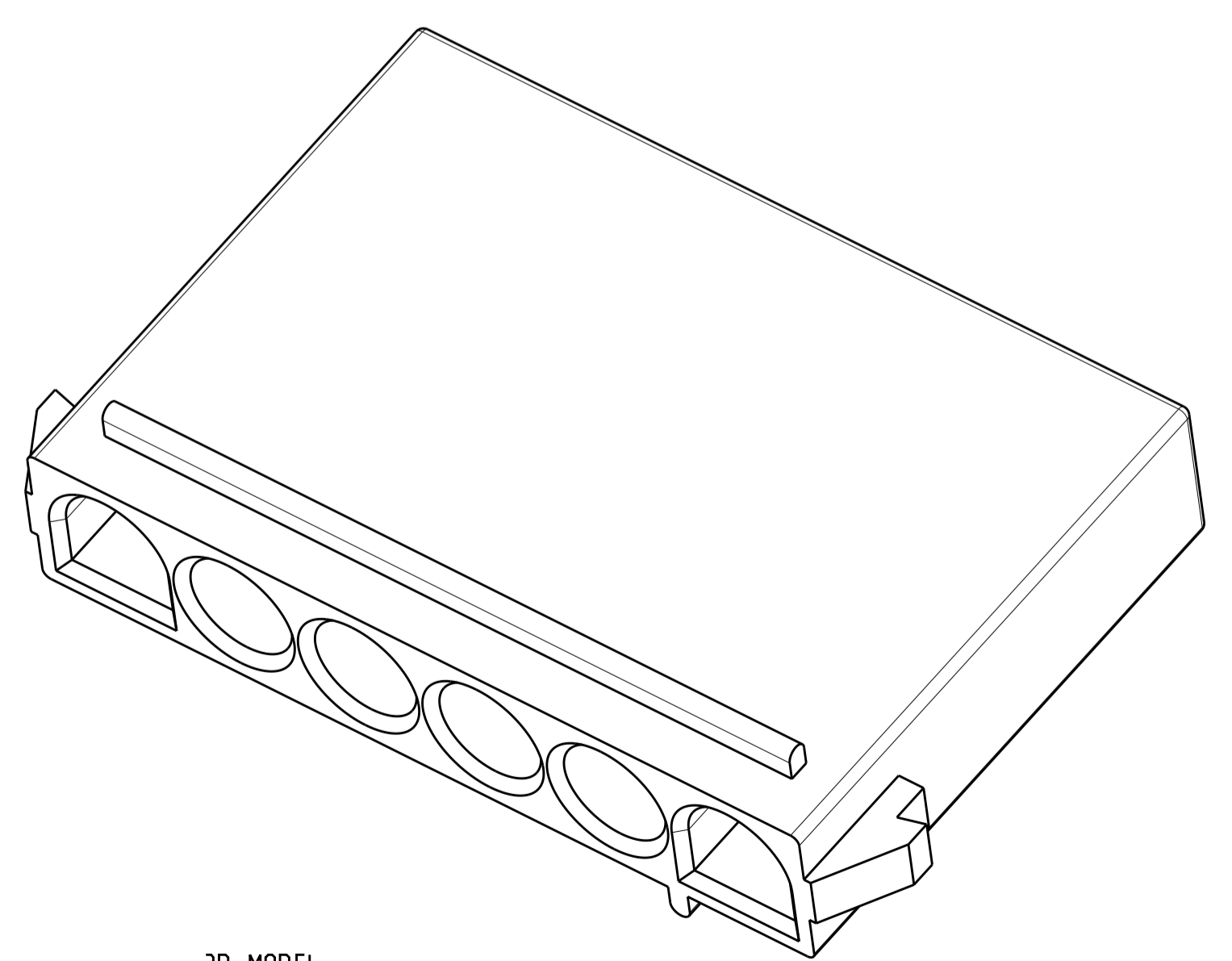
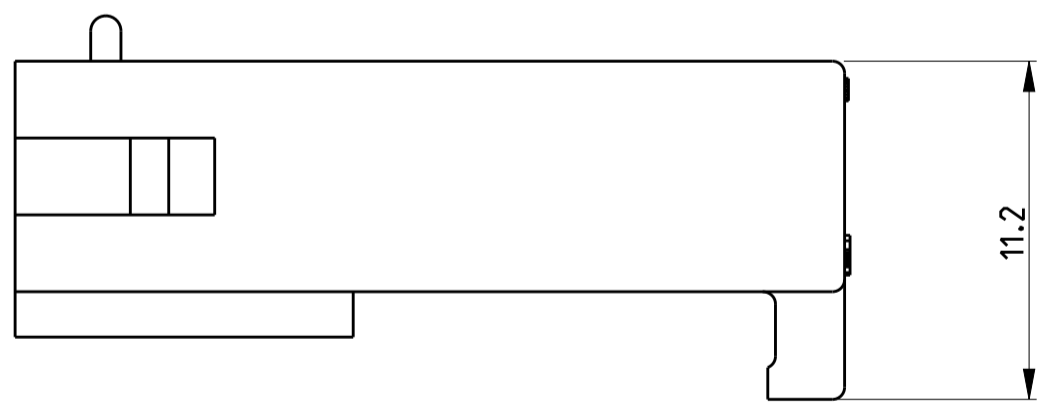
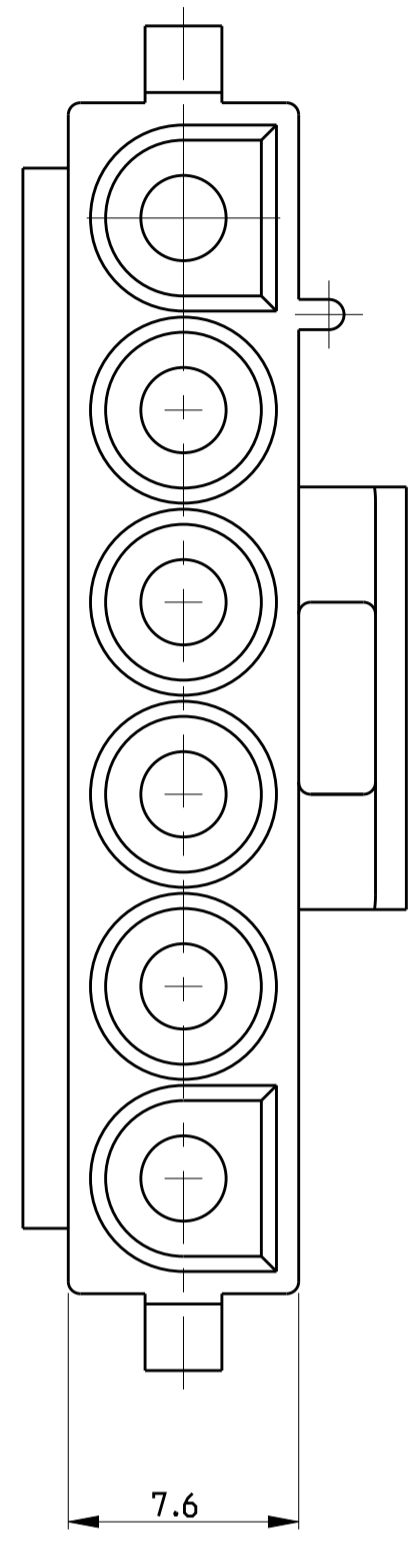
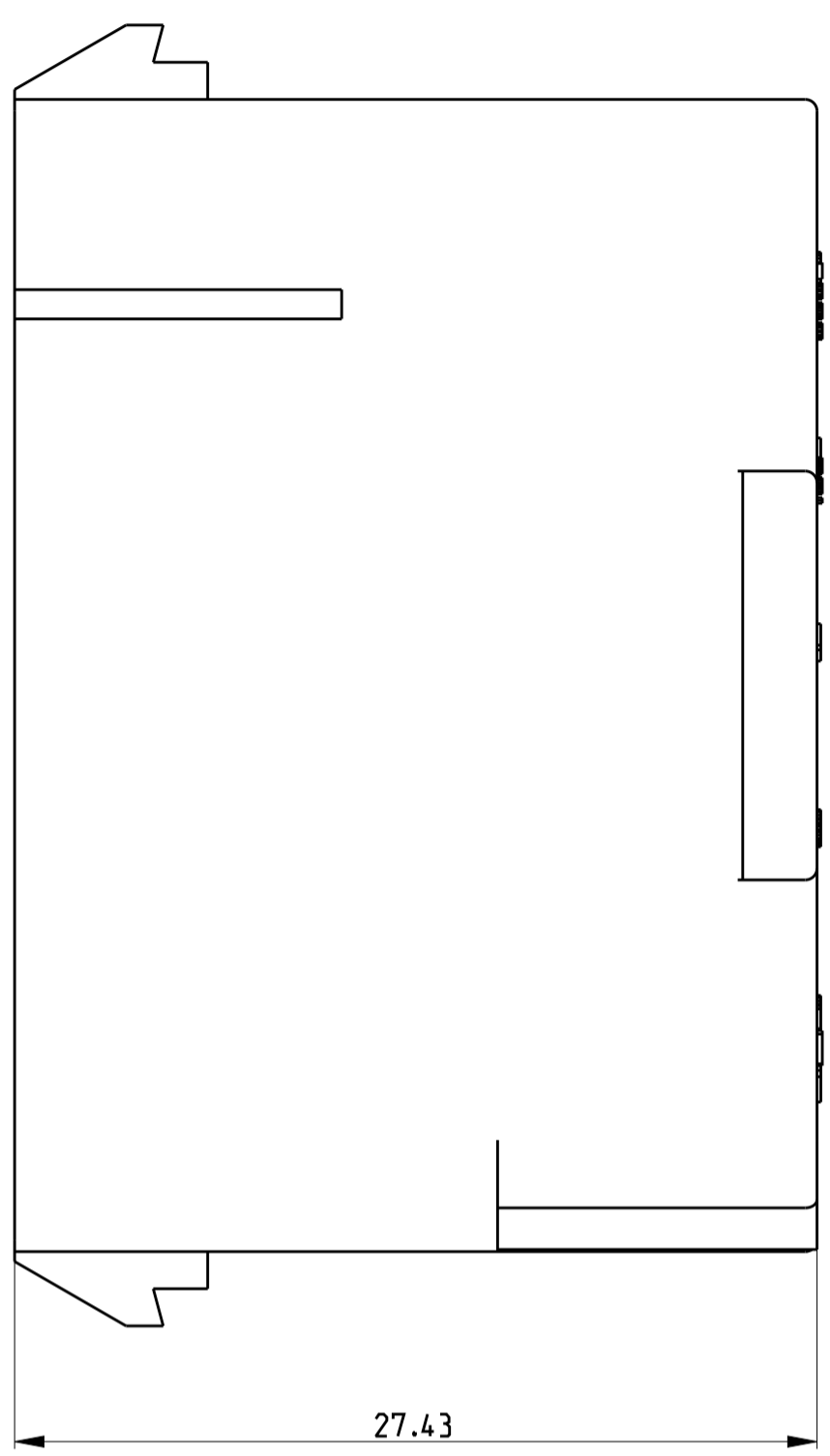
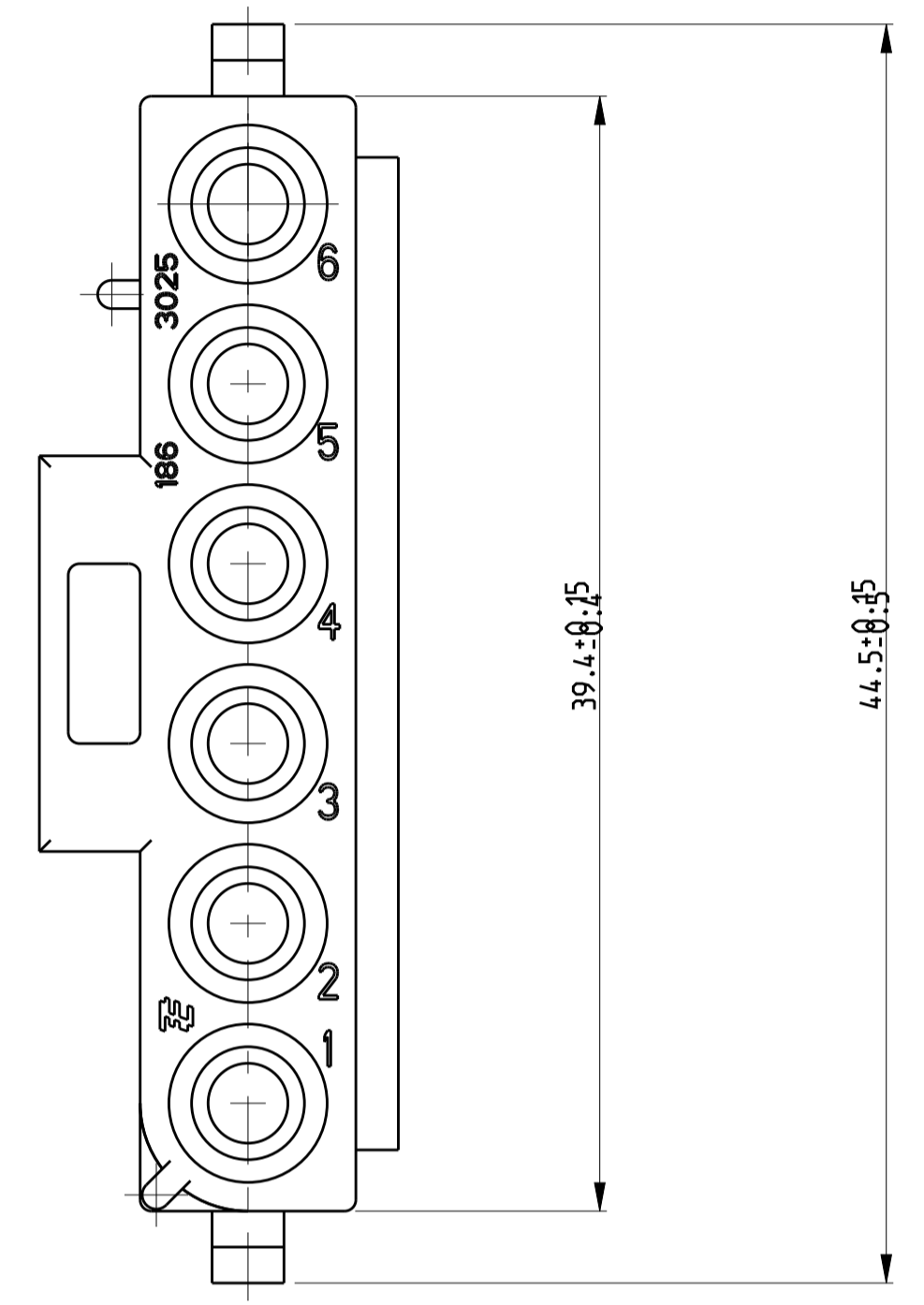


REVISIONS				
P	LTR	DESCRIPTION	DATE	DWN APVD
B2		REVISED PER ECR-17-014951	160C12017	BDA KR

1. DIMENSIONS SHOWN REPRESENT PRODUCT IN DRY, AS MOLDED, CONDITION. ADDITIONAL 2% GROWTH DUE TO SUBSEQUENT MOISTURE ABSORPTION MAY OCCUR AND SHOULD BE ACCOUNTED FOR.



3D MODEL

1863025-1	PA6.6 UL94 V0	NATURAL
PN	MATERIAL	COLOUR

THIS DRAWING IS A CONTROLLED DOCUMENT.		DWN	J. SALO	16-0c1-17	STE TE Connectivity NAME UNIVERSAL MNL 6-WAY CAP PRODUCT SPEC - APPLICATION SPEC - SIZE CAGE CODE DRAWING NO - RESTRICTED TO - WEIGHT - CUSTOMER DRAWING
DIMENSIONS:		CHK	R. SOLE	16-0c1-17	
mm		APVD	P. E. GRASSANO	16-0c1-17	
TOLERANCES UNLESS OTHERWISE SPECIFIED: 0 PLC ±0.13 1 PLC ±0.13 2 PLC ±0.2 3 PLC ±0.13 4 PLC ± ANGLES ±° FINISH -		PRODUCT SPEC			
MATERIAL SEE TABLE		SCALE 4:1 SHEET 1 OF 1 REV B2			