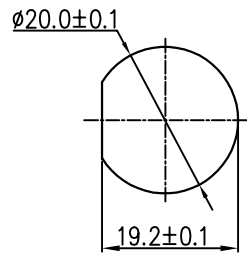
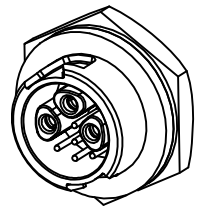
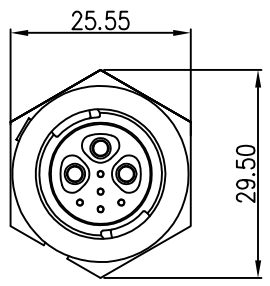
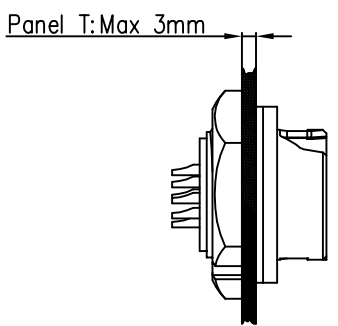
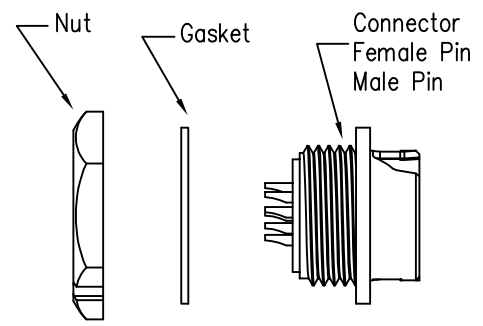
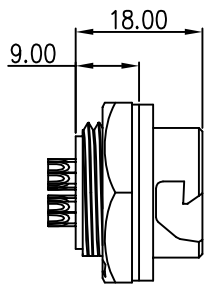


THIS INFORMATION IS CONFIDENTIAL AND IS DISCLOSED TO YOU ON CONDITION THAT NO FURTHER DISCLOSURE IS MADE BY YOU TO OTHER THAN CHOGORI PERSONNEL WITHOUT AUTHORIZATION FROM CHOGORI CORP.

REV.	ECN NO.	DESCRIPTION	SIGN	DATE
C1	N/A	INITIAL DRAWING	Liu	2020/05/16

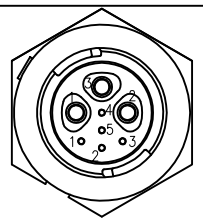


Recommended Panel Cut-Out



- Specification:
- 1.Operation Temperature: $-45^{\circ}\text{C} \sim 105^{\circ}\text{C}$.
 - 2.Insulation Resistance: $100\text{M}\Omega$ at DC500V.
 - 3.Contact Resistance: $<10\text{m}\Omega$.
 - 4.Withstand Voltage: 1000V AC
 - 5.Operating Current: 15A+2A
 - 6.Operating Voltage: DC 125V+30V
 - 7.Waterproof Rate: IP67 (Mated)
 - 8.Housing: Nylon, Black
 - 9.Female Pin: Copper Alloy, Gold Plated
 - 10.Male Pin: Copper Alloy, Gold Plated
 - 11.Gasket: Silicon Gray
 - 12.Panel Nut: Nylon, Blue
 - 13.Torque Rate: $0.8 \sim 1.0\text{N} \cdot \text{m}$
 - 14.RoHS Compliant.
 - 15.Mating Cap P/N: 806-00103-00

23XXX635-03
Pin Number



3F+5M
P/N: 23305635-03

Pin Assignments Front View

UNIT:mm	
TOLERANCE	
.X	± 0.25
.XX	± 0.15
.XXX	± 0.05
ANGLES	$\pm 1^{\circ}$

DESCRIPTION			
Middle Series 3F+5M Push Lock Rear Mount			
SCALE:	1:1	SHEET	1 OF 1
REV.	C1	SIZE	A4
* : Inspection Item			

CHOGORI

PART NO	23305635-03	DRAWN BY	Liu	DATE	2020/05/16
DWG NO		CHECKED BY	Mo	DATE	2020/05/16
CUSTOMER		APPROVED BY	Adley	DATE	2020/05/16