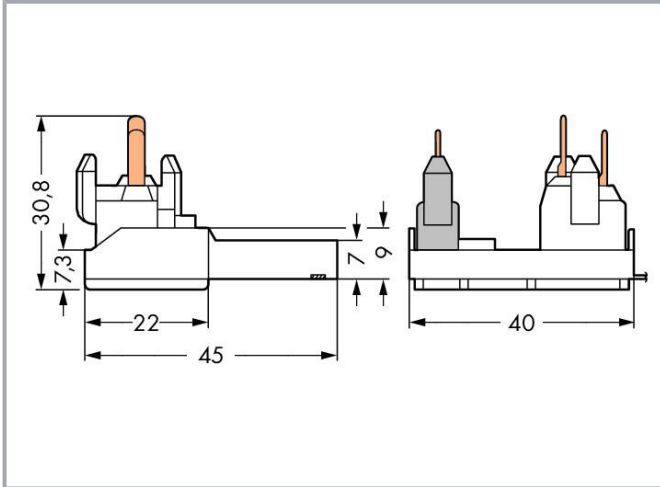
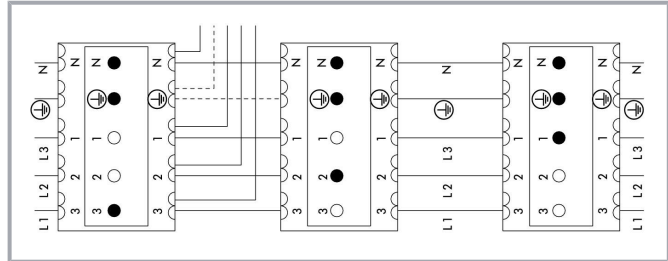
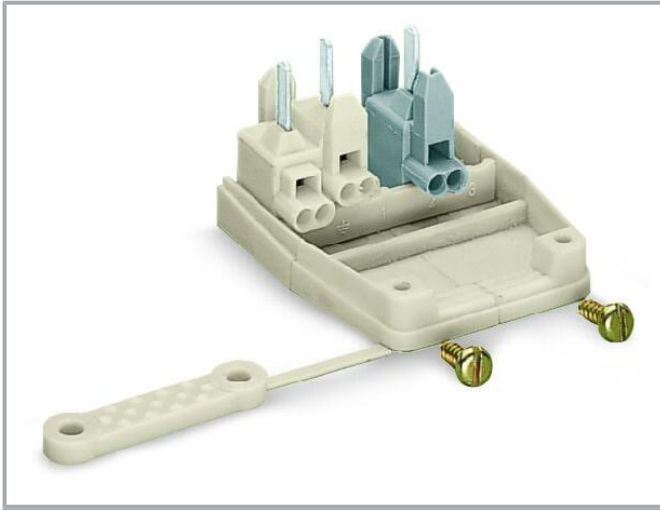


Data sheet | Item number: 277-126

Male connector; with strain relief; 3-pole; 1,00 mm²; white/gray

www.wago.com/277-126



Item description

- Flexible connection system with PUSH WIRE® connection
- Phase selection

Data

Electrical data

Subject to changes. Please also observe the further product documentation!

WAGO GmbH & Co. KG
Hansastr. 27
32423 Minden
Phone: +49571 887-0 | Fax: +49571 887-169
Email: info.de@wago.com | Web: www.wago.com

Do you have any questions about our products?
We are always happy to take your call at +49 (571) 887-44222.



Ratings per IEC/EN

Ratings per	IEC/EN 60664-1
Rated voltage (III/2)	400 V
Rated impulse voltage (III/2)	4 kV
Rated current	10 A
Legend (ratings)	(III / 2) ≙ Overvoltage category III / Pollution degree 2

Connection data

Number of connection types	1
----------------------------	---

Connection 1

Connection technology	PUSH WIRE®
Solid conductor	0.5 ... 1 mm ² / 20 ... 18 AWG
Strip length	10 ... 11 mm / 0.39 ... 0.43 inches
Pole number	3

Physical data

Width	45 mm / 1.772 inches
Height	30.8 mm / 1.213 inches
Depth	40 mm / 1.575 inches

Material Data

Note (material data)	Information on material specifications can be found here
Color	white/gray
Material group	I
Insulation material	Polyamide (PA66)
Flammability class per UL94	V2
Clamping spring material	Chrome-nickel spring steel (CrNi)
Contact material	Electrolytic copper (E _{Cu})
Contact plating	Tin
Fire load	0.212 MJ
Weight	12.7 g

Subject to changes. Please also observe the further product documentation!

Environmental requirements

Temperature stability	105 °C
-----------------------	--------

Commercial data




eCl@ss 10.0	27-44-03-14
eCl@ss 9.0	27-44-03-14
ETIM 8.0	EC000458
ETIM 7.0	EC000458
PU (SPU)	250 pcs
Packaging type	bag
Country of origin	DE
GTIN	4045454356255
Customs tariff number	85366990990

Environmental Product Compliance

RoHS Compliance Status	Compliant, No Exemption
------------------------	-------------------------

Approvals / Certificates

General approvals

Logo	Approval	Additional Approval Text	Certificate name
	CSA DEKRA Certification B.V.	C22.2	70048855
	UL UL International Germany GmbH	UL 1977	E45171
	VDE VDE Prüf- und Zertifizierungsinstitut	EN 61984	40029569

Subject to changes. Please also observe the further product documentation!



Downloads

Documentation

Additional Information

Technical Section	2019 Apr 3	pdf	Download
Technical explanations		2.0 MB	

CAD/CAE-Data

CAD data

2D/3D Models 277-126	URL	Download
----------------------	-----	----------

CAE data

EPLAN Data Portal 277-126	URL	Download
---------------------------	-----	----------

WSCAD Universe 277-126	URL	Download
------------------------	-----	----------

ZUKEN Portal 277-126	URL	Download
----------------------	-----	----------

Environmental Product Compliance

Compliance Search

Environmental Product Compliance 277-126	URL	Download
Male connector; with strain relief; 3-pole; 1,00 mm ² ; white/gray		

Installation Notes

Subject to changes. Please also observe the further product documentation!