

Type 2 surge protection device - VAL-CP-2C-175 - 2859482

Please be informed that the data shown in this PDF Document is generated from our Online Catalog. Please find the complete data in the user's documentation. Our General Terms of Use for Downloads are valid (<http://download.phoenixcontact.com>)



Pluggable type 2 arrester (surge arrester) for 2-phase current supply networks with N and PE in a common conductor (3-conductor system: L1, L2, PEN), with remote indication contact. Overall width: 24 mm.

Why buy this product

- With or without floating remote indication contact
- Plugs can be checked with CHECKMASTER
- High continuous voltage of 350 V AC for 230/400 V AC networks with high voltage fluctuations
- Mechanical keying of all slots
- Optical, mechanical status indication for the individual arresters
- Disconnect device on each individual plug
- Type 2 consistent plug-in surge arresters
- Modular arrester blocks with ultra-narrow design
- Use of varistors that are free of leakage current



Key commercial data

| | |
|------------------------|---|
| Packing unit | 1 |
| Minimum order quantity | 1 |
| Catalog page | Page 33 (TT-2011) |
| GTIN |  4 046356 045483 |
| Custom tariff number | 85369010 |
| Country of origin | GERMANY |

Technical data

Standards

| | |
|--|----------------|
| Housing material | PBT |
| Inflammability class according to UL 94 | V0 |
| Color | gray |
| Standards for air and creepage distances | DIN VDE 0110-1 |
| Standards for air and creepage distances | IEC 60664-1 |
| Standards for air and creepage distances | IEC 61643-1 |
| Surge voltage category | III |

Type 2 surge protection device - VAL-CP-2C-175 - 2859482

Technical data

Standards

| | |
|---------------------------------|---|
| Pollution degree | 2 |
| Degree of protection | IP20 |
| Mounting type | DIN rail: 35 mm |
| Design | DIN rail module, two-section, divisible |
| Number of positions | 2 |
| Ambient temperature (operation) | -40 °C ... 80 °C |
| Message: Surge protection fault | Optical, remote indicator contact |
| Direction of action | 2L-N/PE |
| Width | 25.3 mm |
| Height | 98.5 mm |
| Depth | 70 mm |

Protective circuit

| | |
|---|------------------------------|
| IEC category | II |
| IEC category | T2 |
| EN type | T2 |
| Nominal voltage UN | 120 V AC (2P/PEN) |
| Nominal voltage UN | 208 V AC (Phase - Phase) |
| Arrester rated voltage UC | 175 V AC |
| Arrester rated voltage UC (L-PEN) | 175 V AC |
| UT (TOV-proof) | 240 V AC (5 s) |
| Nominal frequency fN | 50 Hz |
| Nominal frequency fN | 60 Hz |
| Nominal load current IL | 40 A (40 A ... 63 A) |
| Nominal load current IL | 63 A (10 mm ²) |
| Ground conductor current IPE | ≤ 300 µA |
| Standby power consumption PC | ≤ 17.5 mW |
| Max. discharge surge current I _{max} (8/20) µs maximum (L-PEN) | 80 kA (all channels) |
| Nominal discharge surge current I _n (8/20) µs (L-PEN) | 40 kA (all channels) |
| Nominal discharge surge current I _n (8/20) µs (L-PEN) | 20 kA (1 channel) |
| Protection level UP (L-PEN) | ≤ 850 V (at I _n) |
| Residual voltage (L-PEN) | ≤ 700 V (at 10 kA) |
| Residual voltage (L-PEN) | ≤ 600 V (at 5 kA) |
| Residual voltage (L-PEN) | ≤ 550 V (at 3 kA) |
| Residual voltage (L-PEN) | ≤ 850 V |
| Response time (L-N) | ≤ 25 ns |
| Max. required backup fuse with branch wiring | 125 A (gL/gG) |
| Max. required backup fuse with V-type through wiring | 40 A (gL/gG) |
| Short-circuit resistance IP with max. backup fuse (effective) | 25 kA |

Connection, protective circuit

| | |
|---------------------|--------------------------------|
| Connection method | Screw connection |
| Connection type IN | Biconnect screw terminal block |
| Connection type OUT | Biconnect screw terminal block |

Type 2 surge protection device - VAL-CP-2C-175 - 2859482

Technical data

Connection, protective circuit

| | |
|--|--------------------------|
| Connection method | Biconnect terminal block |
| Screw thread | M5 |
| Tightening torque | 4.5 Nm |
| Stripping length | 16 mm |
| Conductor cross section stranded min. | 2.5 mm ² |
| Conductor cross section stranded max. | 16 mm ² |
| Conductor cross section solid min. | 2.5 mm ² |
| Conductor cross section solid max. | 25 mm ² |
| Conductor cross section AWG/kcmil min. | 12 |
| Conductor cross section AWG/kcmil max | 4 |

Remote indicator contact

| | |
|---|--------------------------------|
| Connection name | Remote fault indicator contact |
| Switching function | PDT contact |
| Connection method | Pluggable screw connection |
| Screw thread | M2 |
| Tightening torque | 0.25 Nm |
| Stripping length | 7 mm |
| Conductor cross section stranded min. | 0.14 mm ² |
| Conductor cross section stranded max. | 1.5 mm ² |
| Conductor cross section solid min. | 0.14 mm ² |
| Conductor cross section solid max. | 1.5 mm ² |
| Conductor cross section AWG/kcmil min. | 28 |
| Conductor cross section AWG/kcmil max | 16 |
| Maximum operating voltage U _{max} AC | 250 V AC |
| Maximum operating voltage U _{max} DC | 125 V DC |
| Max. operating current I _{max} | 1 A AC (inductive) |
| Max. operating current I _{max} | 1 A AC (ohmic) |
| Max. operating current I _{max} | 30 mA DC (inductive) |
| Max. operating current I _{max} | 200 mA DC (ohmic) |
| Min. permissible switching capacity | 0.12 VA (12 V, 10 mA) |

Standards

| | |
|-----------------------|------------------------------|
| Standards/regulations | IEC 61643-1 1998 |
| Standards/regulations | DIN EN 61643-11 2002 |
| Standards/regulations | UL 1449 |
| Standards/regulations | IEEE C62.1 / C62.34 / C62.45 |

Classifications

eclass

| | |
|------------|----------|
| eCl@ss 4.0 | 27140201 |
| eCl@ss 4.1 | 27130801 |
| eCl@ss 5.0 | 27130801 |

Type 2 surge protection device - VAL-CP-2C-175 - 2859482

Classifications

eclass

| | |
|------------|----------|
| eCl@ss 5.1 | 27130801 |
| eCl@ss 6.0 | 27130805 |
| eCl@ss 7.0 | 27130805 |

etim

| | |
|----------|----------|
| ETIM 2.0 | EC000941 |
| ETIM 3.0 | EC000941 |
| ETIM 4.0 | EC000941 |

unspsc

| | |
|---------------|----------|
| UNSPSC 6.01 | 30212010 |
| UNSPSC 7.0901 | 39121610 |
| UNSPSC 11 | 39121610 |
| UNSPSC 12.01 | 39121610 |
| UNSPSC 13.2 | 39121620 |

Approvals

Approvals

Approvals

UL Recognized / KEMA-KEUR / cUL Recognized / GOST / IECCEB Scheme / cULus Recognized

Ex Approvals

Approvals submitted

Approval details

UL Recognized

KEMA-KEUR

cUL Recognized

Type 2 surge protection device - VAL-CP-2C-175 - 2859482

Approvals



Accessories

Accessories

Bridges

Wiring bridge - MPB SET VAL-CP-3S - 2880684



Wiring bridge set, consisting of three flexible bridges 15 cm black, 1 bridge 27 cm blue.

Marking

Zack Marker strip, flat - ZBF 12:UNBEDRUCKT - 0809735



Zack Marker strip, flat, Strip, white, Unlabeled, Can be labeled with: Plotter, Mounting type: Snap into flat marker groove, For terminal block width: 12 mm, Lettering field: 5.15 x 12.15 mm

Marker pen - X-PEN 0,35 - 0811228



Marker pen without ink cartridge, for manual labeling of markers, labeling extremely wipe-proof, line thickness 0.35 mm

Type 2 surge protection device - VAL-CP-2C-175 - 2859482

Accessories

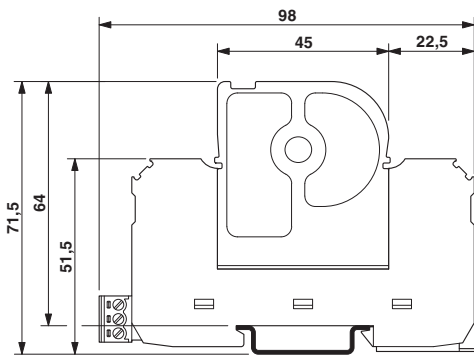
Flat zack marker sheet - ZBFM 5/WH:UNBEDRUCKT - 0803595

Flat zack marker sheet, Sheet, white, Unlabeled, Can be labeled with: Plotter, Mounting type: Snap into flat marker groove, For terminal block width: 5.2 mm, Lettering field: 5 x 4.5 mm



Drawings

Dimensioned drawing



Circuit diagram

