

# Central<sup>TM</sup> Semiconductor Corp.

145 Adams Ave., Hauppauge, NY 11788 USA  
Phone (631) 435-1110 FAX (631) 435-1824

Manufacturers of World Class Discrete Semiconductors

www.centrasemi.com

2N3506  
2N3507

NPN SILICON TRANSISTOR

JEDEC TO-39 CASE

## DESCRIPTION:

The CENTRAL SEMICONDUCTOR 2N3506, 2N3507 types are Silicon NPN Epitaxial Planar Transistors designed for general purpose switching applications.

## MAXIMUM RATINGS (T<sub>A</sub>=25°C unless otherwise noted)

	SYMBOL	2N3506	2N3507	UNITS
Collector-Base Voltage	V <sub>CBO</sub>	60	80	V
Collector-Emitter Voltage	V <sub>CEO</sub>	40	50	V
Emitter-Base Voltage	V <sub>EBO</sub>		5.0	V
Collector Current	I <sub>C</sub>		3.0	A
Power Dissipation	P <sub>D</sub>		1.0	W
Power Dissipation (T <sub>C</sub> =25°C)	P <sub>D</sub>		5.0	W
Operating and Storage Junction Temperature	T <sub>J</sub> , T <sub>stg</sub>	-65 to +200		°C
Thermal Resistance	θ <sub>JA</sub>		175	°C/W
Thermal Resistance	θ <sub>JC</sub>		35	°C/W

## ELECTRICAL CHARACTERISTICS (T<sub>A</sub>=25°C unless otherwise noted)

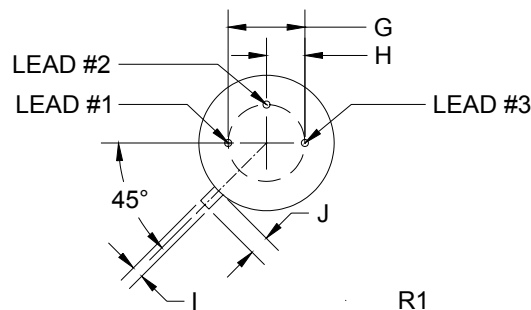
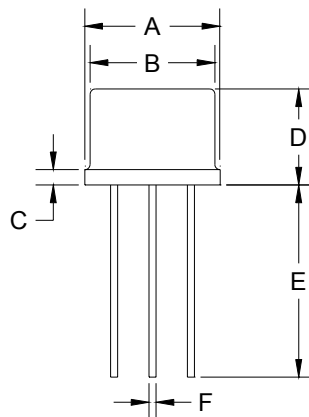
SYMBOL	TEST CONDITIONS	2N3506		2N3507		UNITS
		MIN	MAX	MIN	MAX	
I <sub>CEV</sub>	V <sub>CE</sub> =40V, V <sub>EB(off)</sub> =4.0V		1.0			μA
I <sub>CEV</sub>	V <sub>CE</sub> =40V, V <sub>EB(off)</sub> =4.0V, T <sub>A</sub> =100°C		150			μA
I <sub>CEV</sub>	V <sub>CE</sub> =60V, V <sub>EB(off)</sub> =4.0V				1.0	μA
I <sub>CEV</sub>	V <sub>CE</sub> =60V, V <sub>EB(off)</sub> =4.0V, T <sub>A</sub> =100°C				150	μA
BV <sub>CBO</sub>	I <sub>C</sub> =100μA	60		80		V
BV <sub>CEO</sub>	I <sub>C</sub> =10mA	40		50		V
BV <sub>EBO</sub>	I <sub>E</sub> =10μA	5.0		5.0		V
V <sub>CE(SAT)</sub>	I <sub>C</sub> =500mA, I <sub>B</sub> =50mA		0.5		0.5	V
V <sub>CE(SAT)</sub>	I <sub>C</sub> =1.5A, I <sub>B</sub> =150mA		1.0		1.0	V
V <sub>CE(SAT)</sub>	I <sub>C</sub> =2.5A, I <sub>B</sub> =250mA		1.5		1.5	V
V <sub>BE(SAT)</sub>	I <sub>C</sub> =500mA, I <sub>B</sub> =50mA		1.0		1.0	V
V <sub>BE(SAT)</sub>	I <sub>C</sub> =1.5A, I <sub>B</sub> =150mA	0.9	1.4	0.9	1.4	V
V <sub>BE(SAT)</sub>	I <sub>C</sub> =2.5A, I <sub>B</sub> =250mA		2.0		2.0	V

(Continued)

ELECTRICAL CHARACTERISTICS CONTINUED ( $T_A=25^{\circ}\text{C}$  unless otherwise noted)

SYMBOL	TEST CONDITIONS	2N3506		2N3507		UNITS
		MIN	MAX	MIN	MAX	
$h_{FE}$	$V_{CE}=1.0\text{V}, I_C=500\text{mA}$	50		35		
$h_{FE}$	$V_{CE}=2.0\text{V}, I_C=1.5\text{A}$	40	200	30	150	
$h_{FE}$	$V_{CE}=3.0\text{V}, I_C=2.5\text{A}$	30		25		
$h_{FE}$	$V_{CE}=5.0\text{V}, I_C=3.0\text{A}$	25		20		
$f_T$	$V_{CE}=5.0\text{V}, I_C=100\text{mA}, f=20\text{MHz}$	60		60		MHz
$C_{ob}$	$V_{CB}=10\text{V}, I_E=0, f=100\text{kHz}$		40		40	pF
$C_{ib}$	$V_{BE}=3.0\text{V}, I_C=0, f=100\text{kHz}$		300		300	pF
$t_d$	$V_{CC}=30\text{V}, I_C=1.5\text{A}, I_{B1}=150\text{mA}$		15		15	ns
$t_r$	$V_{CC}=30\text{V}, I_C=1.5\text{A}, I_{B1}=150\text{mA}$		30		30	ns
$t_s$	$V_{CC}=30\text{V}, I_C=1.5\text{A}, I_{B1}=I_{B2}=150\text{mA}$		55		55	ns
$t_f$	$V_{CC}=30\text{V}, I_C=1.5\text{A}, I_{B1}=I_{B2}=150\text{mA}$		35		35	ns

TO-39 PACKAGE - MECHANICAL OUTLINE



SYMBOL	DIMENSIONS			
	INCHES		MILLIMETERS	
	MIN	MAX	MIN	MAX
A (DIA)	0.335	0.370	8.51	9.40
B (DIA)	0.315	0.335	8.00	8.51
C	-	0.040	-	1.02
D	0.240	0.260	6.10	6.60
E	0.500	-	12.70	-
F (DIA)	0.016	0.021	0.41	0.53
G (DIA)	0.200		5.08	
H	0.100		2.54	
I	0.028	0.034	0.71	0.86
J	0.029	0.045	0.74	1.14

TO-39 (REV: R1)

LEAD CODE:

- 1) Emitter
- 2) Base
- 3) Collector

**Central**<sup>TM</sup>  
**Semiconductor Corp.**

145 Adams Ave., Hauppauge, NY 11788 USA  
Phone (631) 435-1110 FAX (631) 435-1824

Manufacturers of World Class Discrete Semiconductors

www.centrasemi.com

## OUTSTANDING SUPPORT AND SUPERIOR SERVICES



---

### PRODUCT SUPPORT

Central's operations team provides the highest level of support to insure product is delivered on-time.

- Supply management (Customer portals)
- Inventory bonding
- Consolidated shipping options
- Custom bar coding for shipments
- Custom product packing

---

### DESIGNER SUPPORT/SERVICES

Central's applications engineering team is ready to discuss your design challenges. Just ask.

- Free quick ship samples (2<sup>nd</sup> day air)
- Online technical data and parametric search
- SPICE models
- Custom electrical curves
- Environmental regulation compliance
- Customer specific screening
- Up-screening capabilities
- Special wafer diffusions
- PbSn plating options
- Package details
- Application notes
- Application and design sample kits
- Custom product and package development

---

### REQUESTING PRODUCT PLATING

1. If requesting Tin/Lead plated devices, add the suffix "TIN/LEAD" to the part number when ordering (example: 2N2222A TIN/LEAD).
2. If requesting Lead (Pb) Free plated devices, add the suffix "PBFREE" to the part number when ordering (example: 2N2222A PBFREE).

---

### CONTACT US

#### Corporate Headquarters & Customer Support Team

Central Semiconductor Corp.  
145 Adams Avenue  
Hauppauge, NY 11788 USA  
Main Tel: (631) 435-1110  
Main Fax: (631) 435-1824  
Support Team Fax: (631) 435-3388  
[www.centrasemi.com](http://www.centrasemi.com)

**Worldwide Field Representatives:**  
[www.centrasemi.com/wwreps](http://www.centrasemi.com/wwreps)

**Worldwide Distributors:**  
[www.centrasemi.com/wwdistributors](http://www.centrasemi.com/wwdistributors)

---

For the latest version of Central Semiconductor's **LIMITATIONS AND DAMAGES DISCLAIMER**, which is part of Central's Standard Terms and Conditions of sale, visit: [www.centrasemi.com/terms](http://www.centrasemi.com/terms)

# Product End of Life Notification

<b>PDN ID:</b>	PDN01239
<b>Notification Date:</b>	7/29/22
<b>Last Buy Date:</b>	1/29/23
<b>Last Shipment Date</b>	7/29/23

Summary: The following NPN high current transistors in the TO-39 package are discontinued now classified as of End of Life (EOL).

Although Central Semiconductor Corp. makes every effort to continue to produce devices that have been proclaimed EOL (End of Life) by other manufacturers, it is an accepted industry practice to discontinue certain devices when customer demand falls below a minimum level of sustainability. Accordingly, the following product(s) have been transitioned to End of Life status as part of Central's ongoing Product Portfolio Management. Any replacement products are noted below. The effective date for placing last purchase orders will be six (6) months from the date of this notice and twelve (12) months from the notice date for final shipments, and minimum order quantities may apply. The last purchase and shipment dates may be extended if inventory is available.

**\* All Plating types (PBFREE, TIN/LEAD) for each item listed are included in this notice.**

<b>Central Part Number</b>	<b>Suggested Replacement</b>
BFX34	N/A
BSX62-10	N/A
BSX63-10	N/A
2N3420	N/A
2N3421	N/A
2N3507	N/A
2N4237	N/A
2N4238	N/A
2N4239	N/A
2N4895	N/A
2N5784	N/A
2N5785	N/A

Central would be happy to assist you by providing additional information or technical data to help locate an alternate source if we have no replacement available. If you would like assistance, please visit <https://my.centralsemi.com/submit-inquiry?type=ER> to submit an online inquiry.

DISCLAIMER: This End of Life (EOL) notification is in accordance with JEDEC standard JESD48 - Product Discontinuance. Central Semiconductor Corp. will make every effort to offer life-time buy (LTB) opportunities and/or offer replacement devices to existing customers for discontinued devices, however, one or both may not be possible for all devices. Please contact your local Central Semiconductor sales representative for LTB opportunities/additional information.