

THIS DRAWING IS UNPUBLISHED.

RELEASED FOR PUBLICATION

ALL RIGHTS RESERVED.

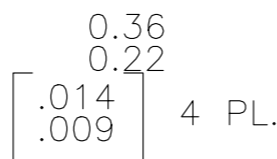
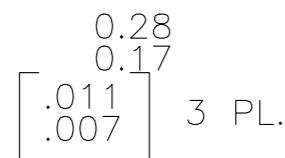
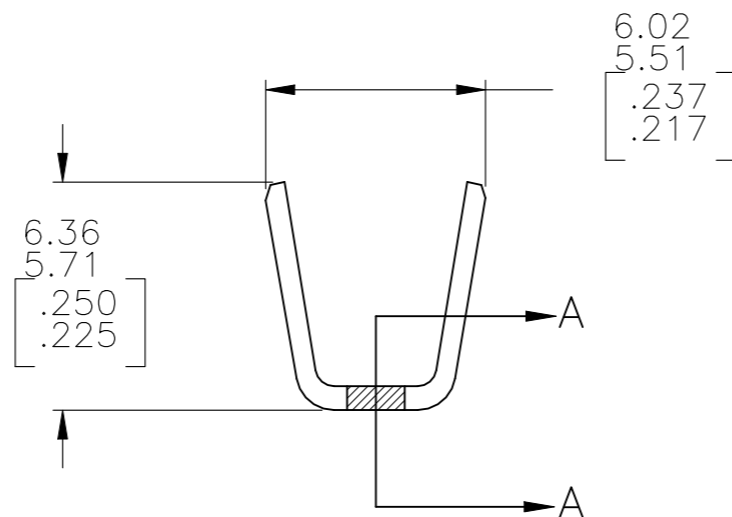
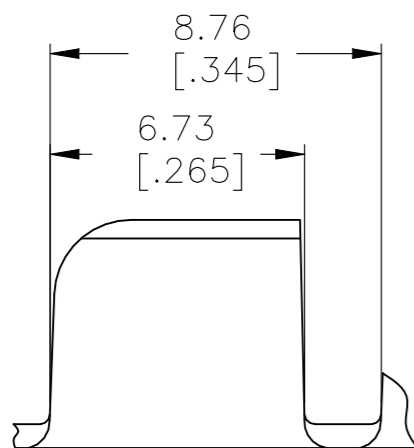
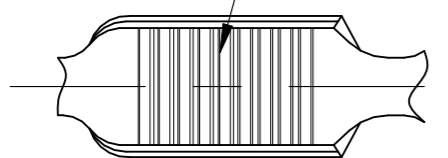
© COPYRIGHT - By -

LOC AF DIST 50

REVISIONS

P	LTR	DESCRIPTION	DATE	DWN	APVD
	F5	REVISED PER ECR-21-103112	11MAY2021	JA	TD

9 AMPLIVAR SERRATIONS



SECTION A-A
SCALE : 10:1

- PRODUCT PROVIDED IN STRIP FORM ON REELS; BREAKS MAY BE PRESENT.
 - DIMENSIONS IN BRACKETS ARE IN INCHES.
 - CRIMP WIDTH: .180 F
CRIMP HEIGHT (±.002)=(TOTAL CMA+23,000)/312,500
CRIMP WIDTH: .220 F
CRIMP HEIGHT (±.002)=(TOTAL CMA+25,000)/375,000
GENERAL APPLICATION GUIDELINES MUST BE FOLLOWED AS SPECIFIED IN CATALOG #82221
FOR APPLICATOR INFORMATION CALL : 1-800-722-1111
FOR PRODUCT INFORMATION CALL : 1-800-522-6752
 - WIRE RANGE 7000-14000 CMA
- △5 SPLICE FREE VERSION
 - △6 PRELIMINARY NOT FOR PRODUCTION

OBSOLETE	△6 △5 STANDARD	62310-4
	△6 △5 REVERSE	62310-3
	STANDARD	62310-2
	REELING	PART NO

THIS DRAWING IS A CONTROLLED DOCUMENT.		DWN RAGHAVENDRA 31JAN06	STE TE Connectivity	
DIMENSIONS: mm [INCHES]		CHK G.D.PORTA		
TOLERANCES UNLESS OTHERWISE SPECIFIED:		APVD G.D.PORTA	NAME	
0 PLC ± -		PRODUCT SPEC	SPLICE, AMPLIVAR	
1 PLC ± -		APPLICATION SPEC	7000-14000 CMA	
2 PLC ± 0.38[.015]		114-2003	SIZE	CAGE CODE
3 PLC ± -		WEIGHT -	A3	00779
4 PLC ± -		CUSTOMER DRAWING	DRAWING NO	C-62310
ANGLES ± 1°		SCALE 5:1	SHEET 1 OF 1	REV F5
FINISH TIN PL.		RESTRICTED TO -		
MATERIAL REF 0.64±0.03 [.025±.001] BRASS				