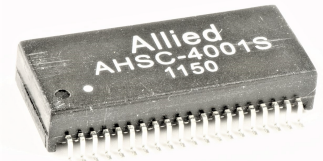




10/100 Base T Quad Port LAN Filter Module

AHSC-4001S

- Ethernet based LAN, WAN and other networking applications
- Polarity: 1-40, 4-37, 6-35, 9-32, 11-30, 14-27, 16-25, 19-22, In-Phase
- Cw/w 50PF Typ @100KHz, 0.2V
- LL: 0.5μH Max @ 100KHz, 0.2V
- DCR: 0.9Ω Max
- Operating Temp: 0°C to 70°C



Electrical Specifications @ 25°C

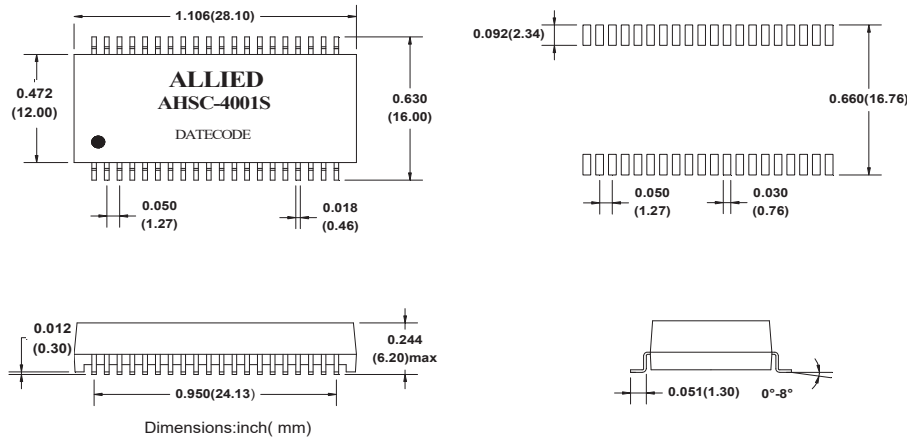
Part Number	OCL(μH Min) @ 100kHz, 200mV	Turns Ratio chip: cable (±5%)	Insertion Loss (dB Max)	Return Loss (dB Min)			
	With 8mA DC Bias			0.3-30MHz	40MHz	50MHz	60-80MHz
AHSC-4001S	350	1CT:1CT	-1.1	-18	-14.4	-13.1	-12

Electrical Specifications @ 25°C

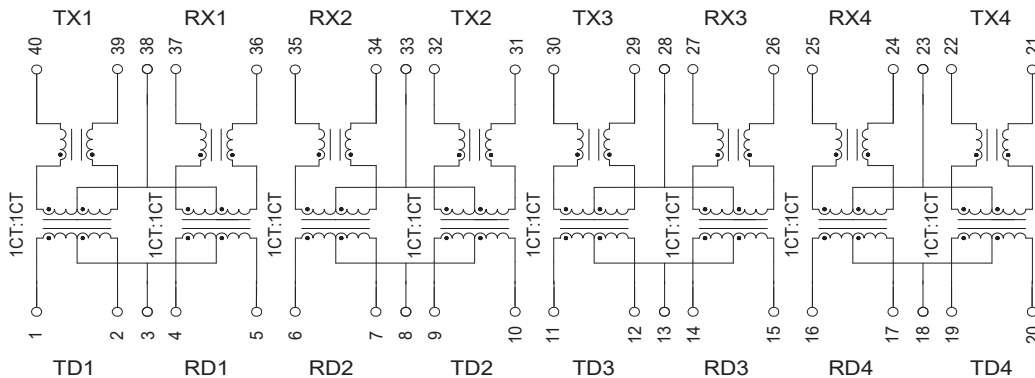
Part Number	Common Mode Rejection (dB Min)			Cross Talk (dB Min)		Isolation HI-POT (Vrms)
	0.3-30MHz	60MHz	80-100MHz	0.3-60MHz	60-100MHz	
AHSC-4001S	-40	-35	-30	-42	-33	1500

All specifications subject to change without notice.

MECHANICAL

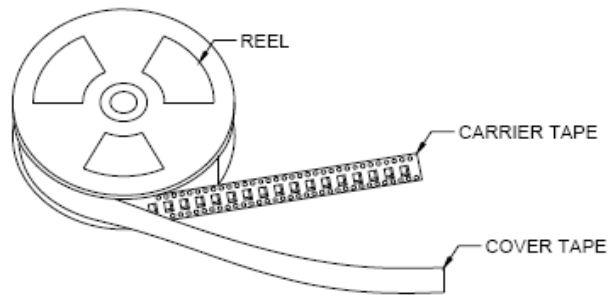


SCHEMATICS





Packaging Specifications



350PCS/REEL

350PCS/BOX

1750PCS/CARTON

N/W: 2.55g/ea

