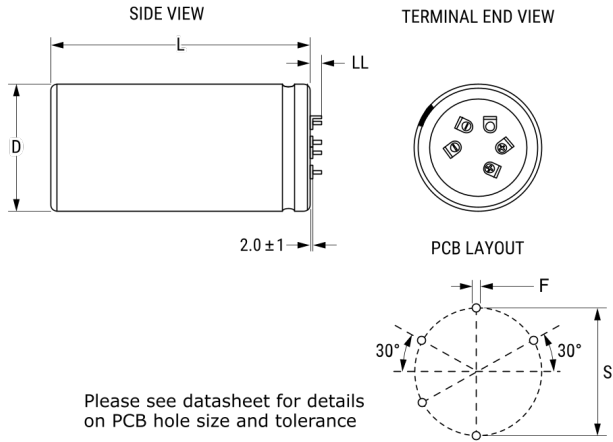


ALF70G102EL500

Aliases (A556HP102M500G)

ALF70, Aluminum Electrolytic, 1,000 uF, 20%, 500 VDC, -40/+85°C



Please see datasheet for details on PCB hole size and tolerance

Click [here](#) for the 3D model.

Dimensions

| | |
|----|--------------------|
| D | 40mm +1mm |
| L | 80mm +/-2mm |
| S | 25mm +/-0.1mm |
| LL | 5.5mm +/-1mm |
| F | 1.486mm +/-0.076mm |

Packaging Specifications

| | |
|-----------|------|
| Sleeving | Yes |
| Packaging | Bulk |

General Information

| | |
|------------------|--------------------------------------|
| Series | ALF70 |
| Dielectric | Aluminum Electrolytic |
| Style | Press-Fit |
| Description | Press-Fit, Aluminum Electrolytic |
| RoHS | Yes |
| Lead | 5 Pin Press-Fit |
| AEC-Q200 | No |
| Halogen Free | Yes |
| Component Weight | 165 g |
| Notes | Dimensions D And L Include Sleeving. |
| Shelf Life | 156 Weeks |

Specifications

| | |
|-----------------------|---|
| Capacitance | 1,000 uF |
| Capacitance Tolerance | 20% |
| Voltage DC | 500 VDC, 550 VDC (Surge) |
| Temperature Range | -40/+85°C |
| Rated Temperature | 85°C |
| Life | 18000 Hrs (Rated Voltage and Ripple Current at 85C), 29000 Hrs (Rated Voltage at 85C) |
| Resistance | 209.2 mOhms (100Hz 20C), 149.7 mOhms (10kHz 20C) |
| Ripple Current | 4.418 Amps (100Hz 85C), 8.53 Amps (10kHz 85C) |
| Leakage Current | 3000 uA (5min 20°C) |