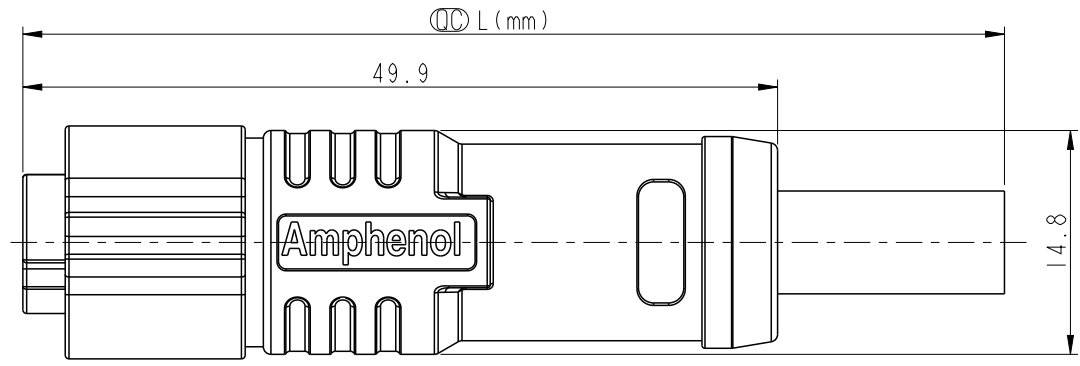
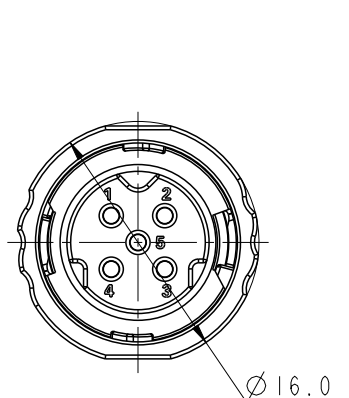


THIS DOCUMENT IS SUBJECT TO CHANGE WITHOUT NOTICE. IT IS CONFIDENTIAL AND A PROPERTY OF Amphenol LTW. DISCLOSURE TO THIRD PARTY HAS TO BE AUTHORIZED BY Amphenol LTW.

REV.	ECN NO.	DATE	SIGN	DESCRIPTION
A		2022-01-03	Sam Ho	Rev.01 to A, Initial Released

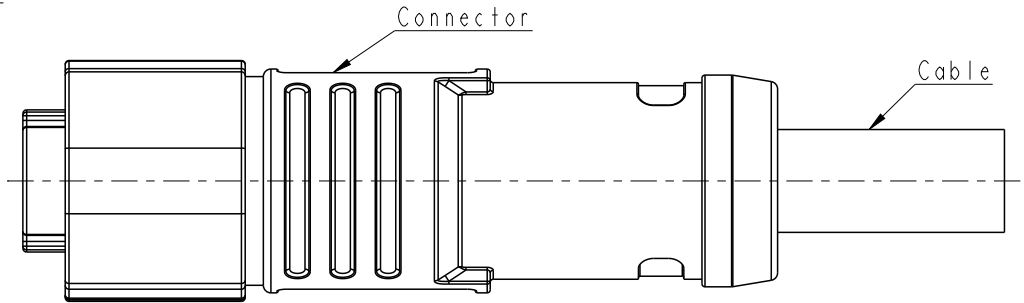
5P	PVC	6.8	20	ASD-05BFFM-QL8FXX
Contacts	Cable Jacket	Cable OD	AWG	Item No.



ASD-XXBFFM-QL8FXX

XX: L=0~99Meters
 01: L=1Meters
 02: L=2Meters
 :
 99: L=99Meters

XX: No. Of Pin

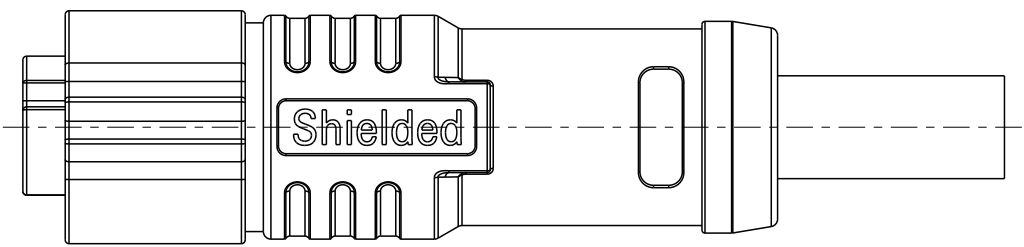
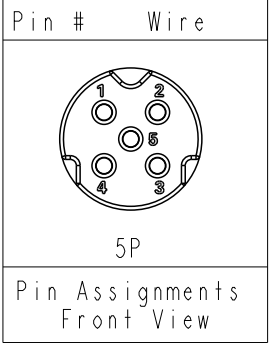


Note:

- * RoHS Compliant
- * \varnothing Important dimension
- * Waterproof rate: IPX8, mated 1m/24h
- * Connector
- Housing: Thermoplastic, Black
- Pin: Copper alloy, Gold plated
- Shield: Metal
- Nut: Metal
- Outer mold: Thermoplastic, Black
- * Cable: UL21996, PVC Jacket, Black
- * Cable length tolerance:

1M	+50/-0 mm
1M < L ≤ 3M	+100/-0 mm
3M < L ≤ 5M	+150/-0 mm
5M < L ≤ 10M	±100 mm
10M < L ≤ 20M	±200 mm
20M < L ≤ 30M	±300 mm
30M < L ≤ 99M	±500 mm

Shield Braid	編織
5 Yellow	黃
4 Orange	橘
3 Red	紅
2 Brown	棕
1 Black	黑



UNIT:mm

TOLERANCE

±0.50mm

TITLE

XLOK, A SHLD-5A, 05P, CABLE W/O SR

SCALE	2:1	SIZE	A4	SHEET	1	OF	1
REV.	A	WC-REV.		\varnothing : Inspection item			

Amphenol LTW

安費諾亮泰企業股份有限公司

ITEM NO	DRAWN BY	DATE
	Sam Ho	2021-09-15
DWG NO	CHECKED BY	DATE
ASD-XXBFFM-QL8FXX	Fred Lee	2021-09-15
CUSTOMER	APPROVED BY	DATE
ALTW	Fred Lee	2021-09-15