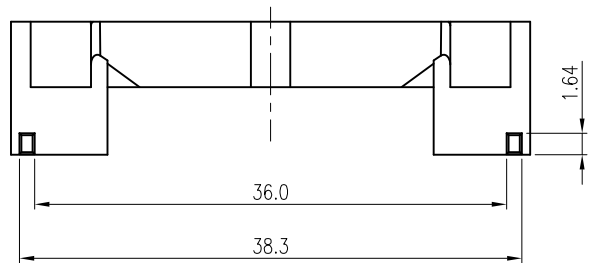
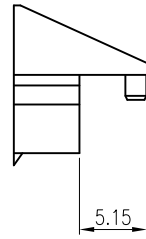
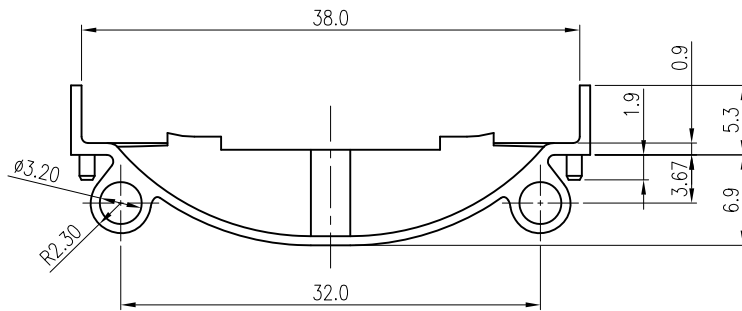
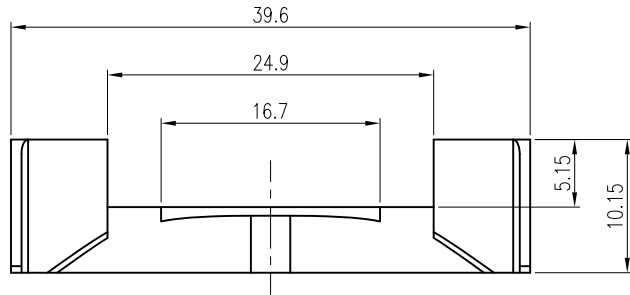


This document is the property of Amphenol Corporation and is delivered on the express condition that is not to be disclosed, reproduced or used, in whole or in part, for manufacture or sale by anyone other than Amphenol Corporation without its prior consent, and that no right is granted to disclose or to use any information in this document.

The marking on this product doesn't contain environmental hazardous materials per Material Specification SS-00259 for Sony GP compliant or per directive 2011/65/EU for RoHS compliant or per IEC 61249-2-21 for Halogen-Free compliant.

REVISIONS				
SYM	ECN No.	DESCRIPTION	DATE	BY
AX1	NE-XXXXX	UNRELEASED REVISION	2017.6.16	Joseph Jiang
AX2	NE-XXXXX	UNRELEASED REVISION	2018.4.12	Joseph Jiang



NOTES:
 1. MATERIAL: HIGH TEMPERATURE THERMAL PLASTIC, UL94V-0, COLOR: BLACK.
 2. PRODUCT SPECIFICATION : PS-7617
 3. THIS PRODUCT DOESN'T CONTAIN ENVIRONMENTAL HAZARDOUS MATERIALS PER DIRECTIVE 2011/65/EU FOR RoHS AND PER IEC 61249-2-21 FOR HALOGEN FREE COMPLIANT.

TOLERANCE X.X ±0.3 X.XX ±0.2 X.XXX ±0.1 ANGULAR ±2° UNLESS OTHERWISE SPECIFIED	DRAWN	APPROVALS	DATE	TITLE	Amphenol® Amphenol Corporation Amphenol Taiwan Corporation PART No. GFMF02C01R0000HR DWG No. GFMF02C01R0000HR
	DESIGNED	Hank Hsu	2018.4.12	EDGE CARD CONNECTOR FOR SMART FAN MODULE	
	CHECKED	Hank Hsu	2018.4.12		
	APPROVED	Hank Hsu	2018.4.12		
	DWG TYPE	CUST DWG	PROJECT CODE	TXXX	UNIT mm SCALE NA SIZE A3 SHEET 1 OF 1