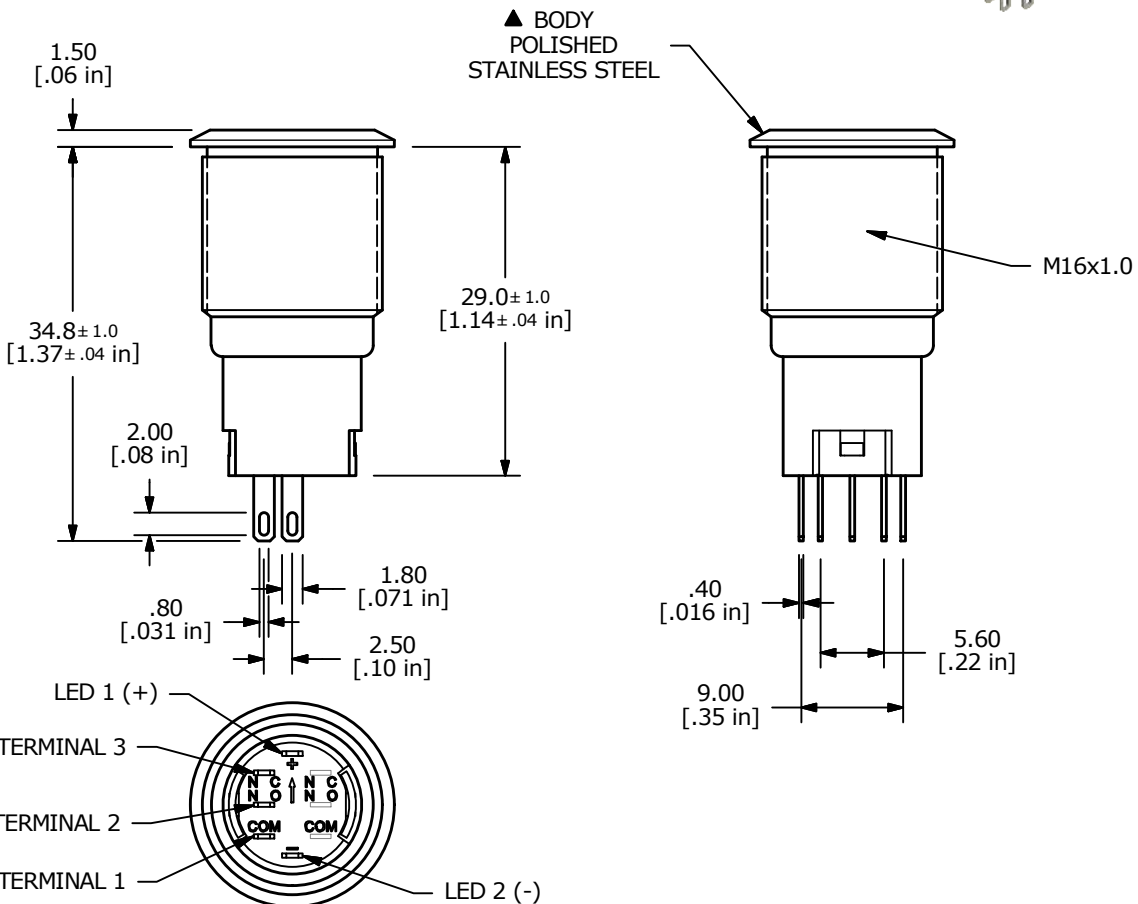
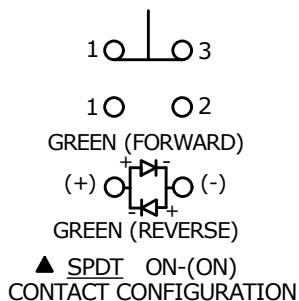


| SWITCH FUNCTION |        |
|-----------------|--------|
| POS. 1          | POS. 2 |
|                 |        |
| ON              | (ON)   |
| 1-3             | 1-2    |

(ON) = MOMENTARY



- NOTE:
- ALL DIMENSIONS IN MM [INCH]
  - GENERAL TOLERANCE: X.X = ±0.4  
X.XX = ±0.25
  - TERMINAL NUMBERS FOR REF ONLY
  - CONTACT MATERIAL: SILVER
  - RATING: 2A 48VDC
  - ELECTRIC LIFE: 50,000 MAKE-AND-BREAK CYCLES AT FULL LOAD.
  - INSULATION RESISTANCE: 1,000 MΩ MIN.
  - DIELECTRIC STRENGTH: 2,000 VAC MIN. FOR 1 MINUTE
  - CONTACT RESISTANCE: 50mΩ MAX. @ 1A 12VDC
  - OPERATING TEMP.: -20°C to 55°C
  - ▲ DENOTES CRITICAL PARAMETER.
  - HARDWARE SUPPLIED: O-RING AND HEXNUT
  - INGRESS RATING: IP67
  - LAMP VOLTAGE: 24V

| REV | PCR NO | DESCRIPTION                | DATE    | BY  |
|-----|--------|----------------------------|---------|-----|
| D   | 23617  | update +/- Terminals       | 4/17/19 | MW  |
| C   | 23360  | UPDATED RATING TO 2A 48VDC | 5/14/18 | MJR |
| B   | 22883  | UPDATED RATING TO 1A 24VDC | 6/9/17  | MJR |



|                      |               |        |                      |       |
|----------------------|---------------|--------|----------------------|-------|
| TITLE PV3WF2B0SS-335 |               |        |                      |       |
| SCALE 3:2            | DATE 8/8/2014 | DR EBP | DWG 52-PV3WF2B0SS335 | REV D |

THE INFORMATION CONTAINED IN THIS DOCUMENT IS PROPRIETARY TO E-SWITCH AND IS NOT TO BE COPIED OR TRANSFERRED