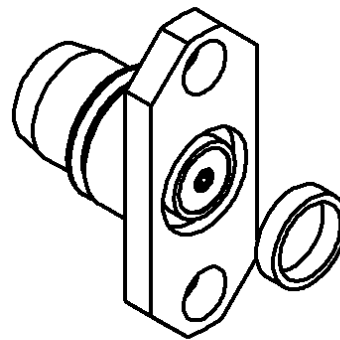
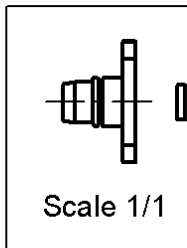
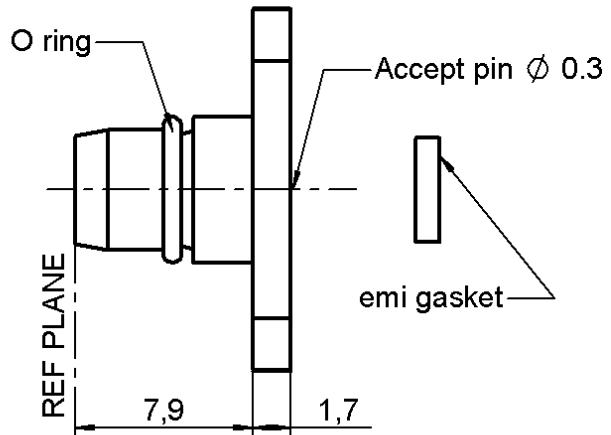
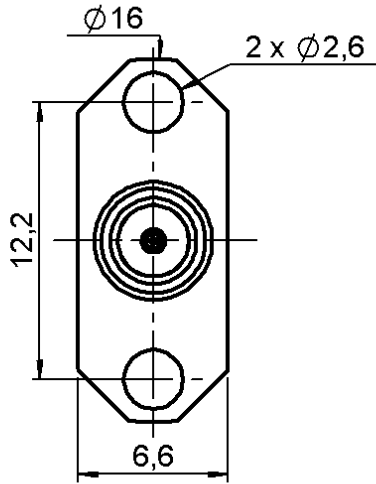


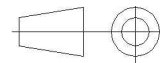
**2 HOLES FLANGE MALE RECEPTACLE
FOR 0.3MM AXIS WITH EMI GASKET**

R128.481.001

Series : BMA



All dimensions are in mm.



COMPONENTS	MATERIALS	PLATINGS (µm)
BODY	STAINLESS STEEL	PASSIVATED .
CENTER CONTACT	BERYLLIUM COPPER	GOLD 1.3 OVER NICKEL 2
OUTER CONTACT	-	-
INSULATOR	PTFE	-
GASKET	SILICONE CuAg(conductor)	-
OTHERS PARTS	-	-
-	-	-
-	-	-

Issue : 0448 A

In the effort to improve our products, we reserve the right to make changes judged to be necessary.



**2 HOLES FLANGE MALE RECEPTACLE
FOR 0.3MM AXIS WITH EMI GASKET**

R128.481.001

Series : **BMA**

PACKAGING

Standard	Unit	Other
1	-	Contact us

SPECIFICATION

ELECTRICAL CHARACTERISTICS

Impedance		50 Ω
Frequency		0-22 GHz
VSWR	1.06 +	0.010 x F(GHz) Maxi
Insertion loss		0.03 √F(GHz) dB Maxi
RF leakage	- (NA - F(GHz)) dB Maxi
Voltage rating		350 Veff Maxi
Dielectric withstanding voltage		1000 Veff mini
Insulation resistance		5000 MΩ mini

ENVIRONMENTAL

Operating temperature	-65/+105 ° C
Hermetic seal	NA Atm.cm3/s
Panel leakage	NA

OTHERS CHARACTERISTICS

Assembly instruction **NA**

Others :
Mount it with R280.751.000 glass bead
for hermetic application (see page 3&4)

MECHANICAL CHARACTERISTICS

Center contact retention		
Axial force – Mating end	27	N mini
Axial force – Opposite end	27	N mini
Torque	NA	N.cm mini
Recommended torque		
Mating	NA	N.cm
Panel nut	NA	N.cm
Mating life	1000	Cycles mini
Weight	0.000	g

Issue : 0448 A

In the effort to improve our products, we reserve the right to make changes judged to be necessary.

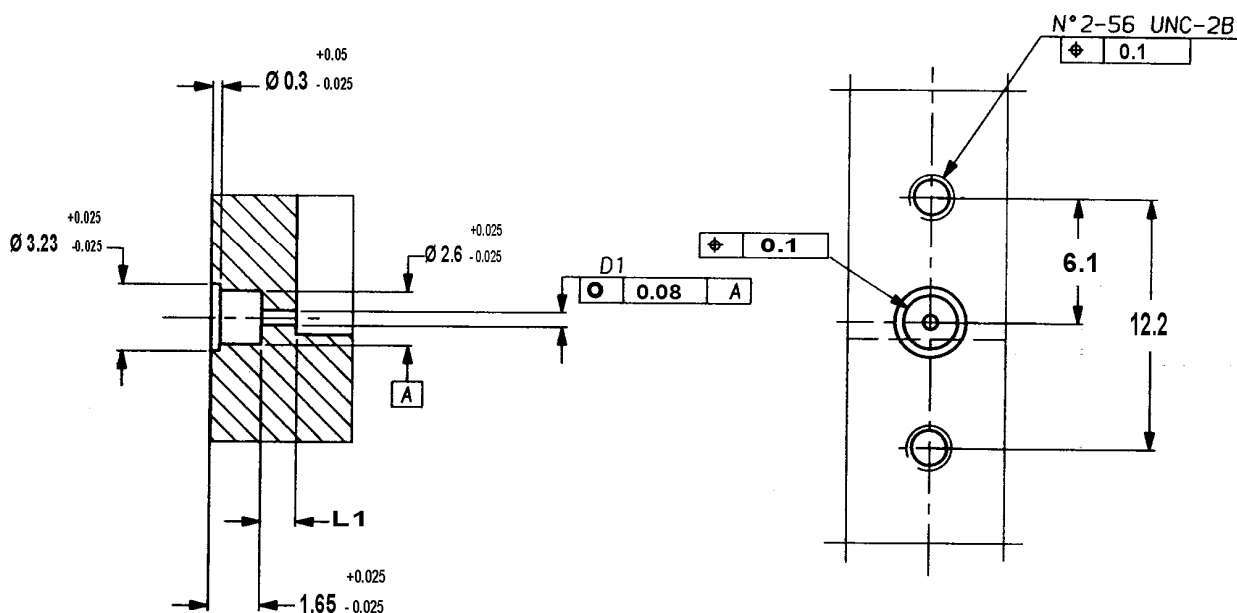


**2 HOLES FLANGE MALE RECEPTACLE
FOR 0.3MM AXIS WITH EMI GASKET**

R128.481.001

Series : BMA

RECOMMENDED MOUNTING HOLE DETAIL



D1 and L1 dimensions have to be determined according to each application.

We advise of the two following cases (see page 4)

- using of the the R280.469.000 removable socket :
D1=2 +/-0.02 L1= 2.5 +/- 0.1
- the glass bead axis is directly welded on the track :
D1= 0.70 +/-0.02 L1 = from 1 to 4 according to the customer's design criteria

Issue : 0448 A

In the effort to improve our products, we reserve the right to make changes judged to be necessary.

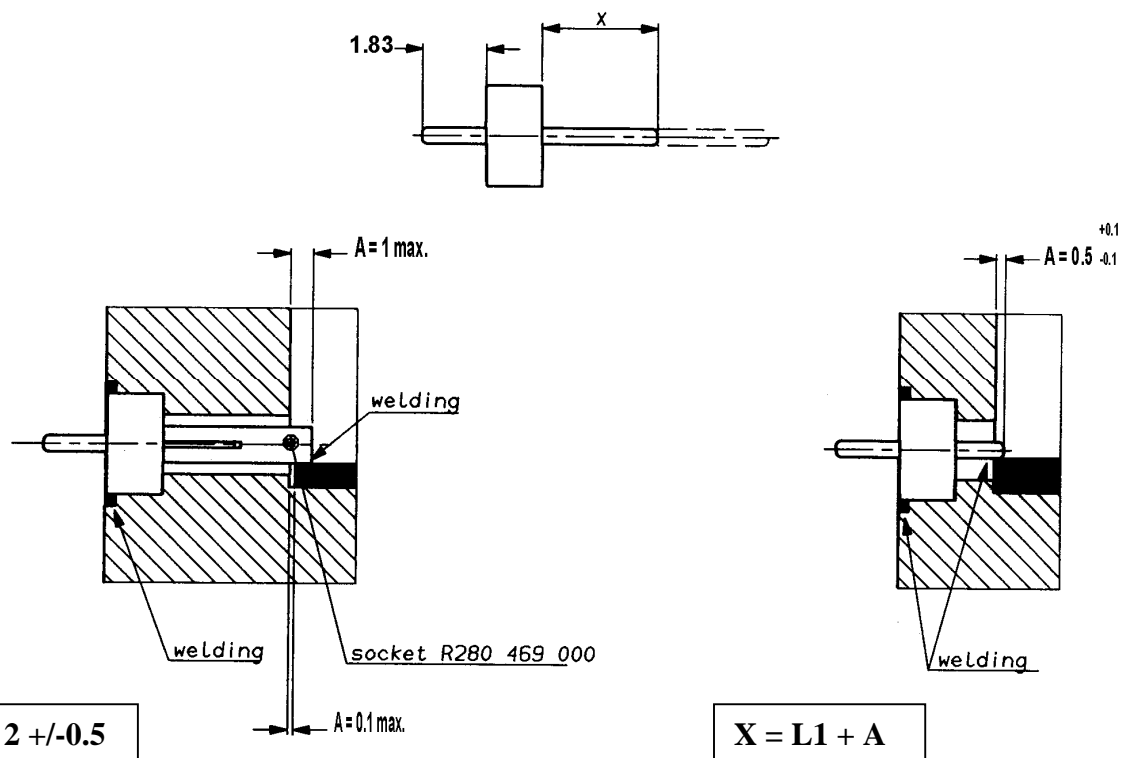


**2 HOLES FLANGE MALE RECEPTACLE
FOR 0.3MM AXIS WITH EMI GASKET**

R128.481.001

Series : BMA

ASSEMBLY INSTRUCTIONS



GLASS BEAD

- adjust X by cutting the pin if necessary
- introduce the glass bead into its housing as here above (with the mounted socket)
- weld the ring by putting a welding wire in the groove
- weld the pin (or socket) on the track. Beware of putting too much welding !

Important : for maximum RF characteristics the link track/pin must be as thin as possible.

We advise you respect rigorously the dimension A, by welding accurately the bead pin directly on the track (right drawing).

CONNECTOR

- set up the « EMI » screening gasket in the connector groove.
- Put the connector on the housing while introducing the bead pin into the socket, then mount the fixtures of the flange.

Issue : 0448 A

In the effort to improve our products, we reserve the right to make changes judged to be necessary.

