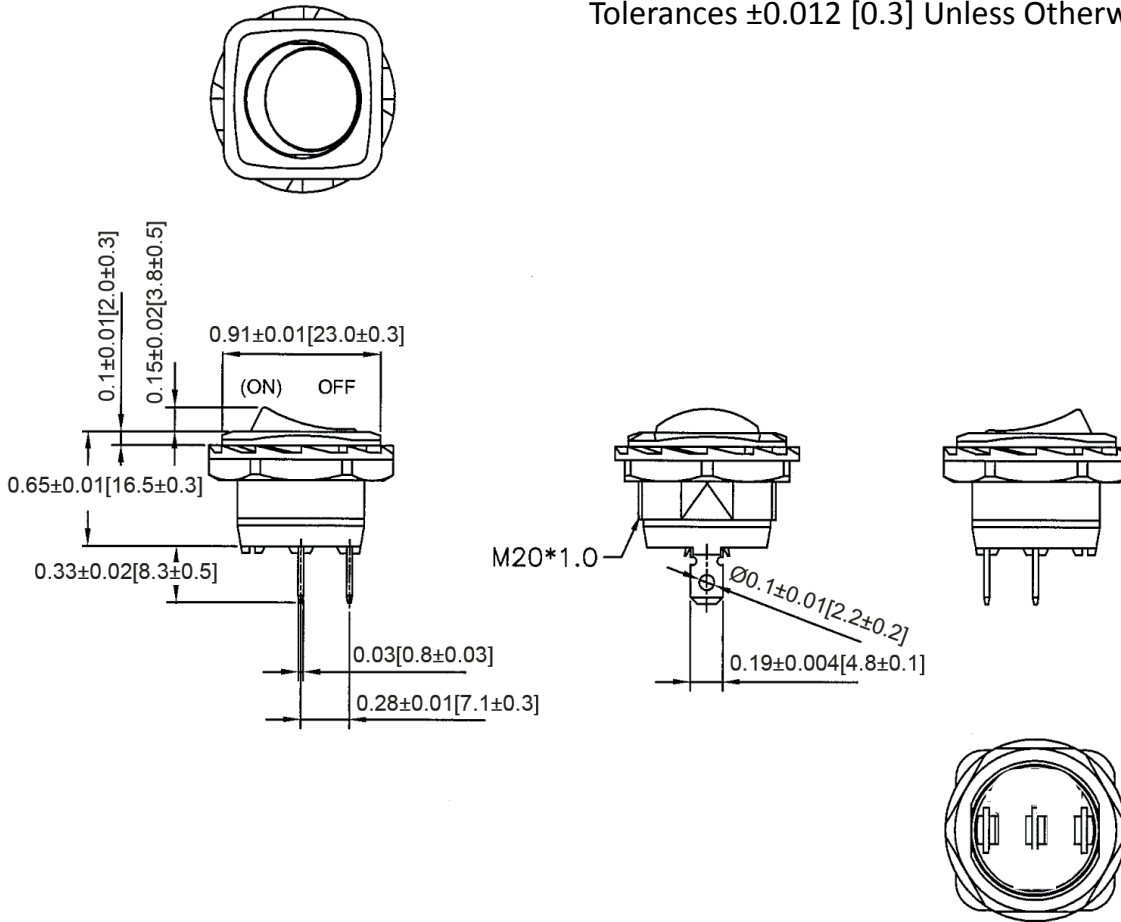
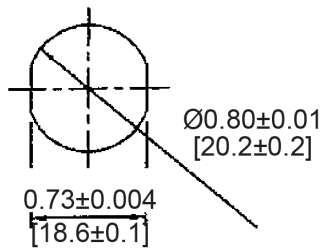


**Mechanical Dimensions: Inches [mm]**

Tolerances  $\pm 0.012$  [0.3] Unless Otherwise Specified



**Mounting Hole**



**Thickness: 0.24 [6.0] Max**

**Circuit Diagram**

2P SPST OFF-(ON)



**Electrical Specifications**

**Rating** 16(4)A 125/250V AC 16A 125V AC, 10A 250V AC

**Contact Resistance** 50m ohm Max

**Insulation Resistance** DC 500V 100M ohm Min

**Dielectric Strength** AC 1500V 1 minute

**Operation Temperature** -25°C~85°C

**Material Specifications**

**Frame** Black, Nylon 66+33%GF

**Actuator** Black, Nylon 66

Rev	Date of issue	Revision Notes	Designed	Approved
B	06-08-2021	Initial Drawing	RC	OF