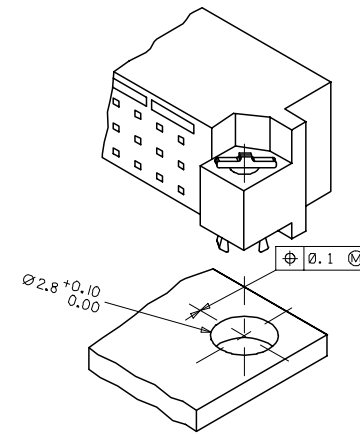
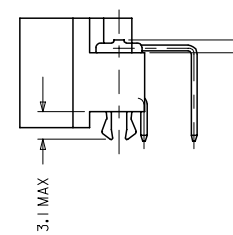


WITH MOUNTING CLIPS

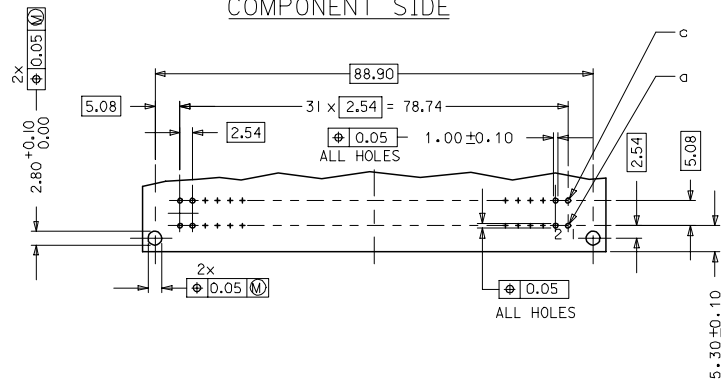
8:1



NOTES:

- 1) MATERIALS: THERMOPLASTIC POLYESTER, GLASS FILLED, UL94V-0, COLOUR: PEBBLE GREY RAL 7032
TERMINAL - BRASS
MOUNTING CLIP: STEEL
- 2) FINISH: TERMINAL:-
CONTACT AREA
I. PERFORMANCE LEVEL 4: SELECTIVE GOLD (Au), THICKNESS = 0.05 MICROMETER
OVER NICKEL, THICKNESS = 1.50 MICROMETER
TERMINATION AREA:
SELECTIVE TIN, THICKNESS = 2.5 MICROMETER
OVER NICKEL, THICKNESS = 1.25 MICROMETER OVERALL
- 3) MOUNTING CLIP:-
TIN (Sn), THICKNESS = 5-10 MICROMETER,
OVER NICKEL (Ni), THICKNESS = 2.5 MICROMETER
- 4) FOR NON MOUNTING CLIP OPTION, CONNECTOR TO BE SECURED WITH
RIVETS: 2 TUBULAR RIVETS 2.5 x 0.3 ... DIN 7340
SCREWS: 2 CHEESEHEAD SCREWS M2.5 x ... DIN 84 AND 2 HEXAGONAL NUTS M2.5 DIN 934
- 5) MATERIAL NUMBER, BATCH CODE, UL AND CSA MARKING
TO BE PRINTED ON THE CONNECTOR
- 6) CUT FACE OF TIP WITHOUT PLATING PERMITTED
- 7) PRODUCT SPECIFICATION : PS-36502-001

RECOMMENDED PCB LAYOUT
COMPONENT SIDE

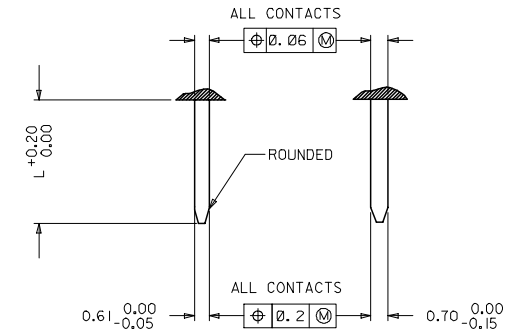


RoHS COMPLIANT

ENTER DESCRIPTION E.C. NO. 12007-0502 DRAWING: BANARJ 2007/06/23 CHECKED BY: CHIKKAPRASAD 2007/06/23 APPROVED BY: (Signature) 2007/06/23	QUALITY SYMBOLS ▽=0 ▽=0	GENERAL TOLERANCES (UNLESS SPECIFIED)		DIMENSION STYLE MM ONLY		SCALE 2:1	DESIGN UNITS METRIC	THIRD ANGLE PROJECTION	
		4 PLACES ± 0.05	± 0.05	INCH	DATE	DATE	DATE	ASSEMBLY, DIN 41612 C MALE, 64 POS A+C LOADED	
DRAFT WHERE APPLICABLE MUST REMAIN WITHIN DIMENSIONS	SEE SHEET 2	ANGULAR ± 2°		DRAWN BY SS		DATE 1999/10/08		MATERIAL NO. SD-36502-023	
		DRAFT WHERE APPLICABLE MUST REMAIN WITHIN DIMENSIONS		CHECKED BY G.J. LOWE		DATE 1999/10/08		DOCUMENT NO. SD-36502-023	
SEE SHEET 2		APPROVED BY G.J. LOWE		DATE 1999/10/08		MATERIAL NO. SD-36502-023		SHEET NO. 1 OF 2	
THIS DRAWING CONTAINS INFORMATION THAT IS PROPRIETARY TO MOLEX INCORPORATED AND SHOULD NOT BE USED WITHOUT WRITTEN PERMISSION									

20	19	18	17	16	15	14	13	12	11	10	9	8	7	6	5	4	3	2	1
MATERIAL No	MOLEX ENG No	PERF LEVEL	PLATING	CONTACT SEQUENCE/ROW	PREMATING CONTACT POS.	MOUNTING CLIP													
36502-0138	MM-B 1800-C963	4	Au+Ni	1,2,3....32 a+c	NO	NO													

DETAILY DETAILX



PRE MATING CONTACTS	5.4
NORMAL CONTACTS	4.8
	L

RoHS COMPLIANT

ENTER DESCRIPTION ELC INC. 12/07/05/02 DRAWING: BANAR 2007/06/23 CHK: KRASAD 2007/06/23 APPR: KRASAD 2007/06/23	QUALITY SYMBOLS ▽=0 ▽=0	GENERAL TOLERANCES (UNLESS SPECIFIED)		DIMENSION STYLE MM ONLY	SCALE 2:1	DESIGN UNITS METRIC	THIRD ANGLE PROJECTION
		4 PLACES ± --- ± --- 3 PLACES ± 0.05 ± --- 2 PLACES ± 0.1 ± --- 1 PLACE ± 0.15 ± ---	INCH ± --- ± --- ± --- ± ---	DRAWN BY SS	DATE 1999/09/01	TITLE ASSEMBLY, DIN 41612 C MALE, 64 POS A+C LOADED	
REVISIONS A	DESCRIPTION	DRAFT WHERE APPLICABLE MUST REMAIN WITHIN DIMENSIONS		CHECKED BY GJ LOWE	DATE 1999/09/01	MOLEX INCORPORATED	
		SEE CHART		APPROVED BY GJ LOWE	DATE 1999/09/01	MATERIAL NO. SD-36502-023	DOCUMENT NO. SD-36502-023