

WIRING DIAGRAM: M12 FEMALE

3 POLE

4 POLE

5 POLE



VIEW FROM THE WIRES SIDE

VIEW FROM THE WIRES SIDE

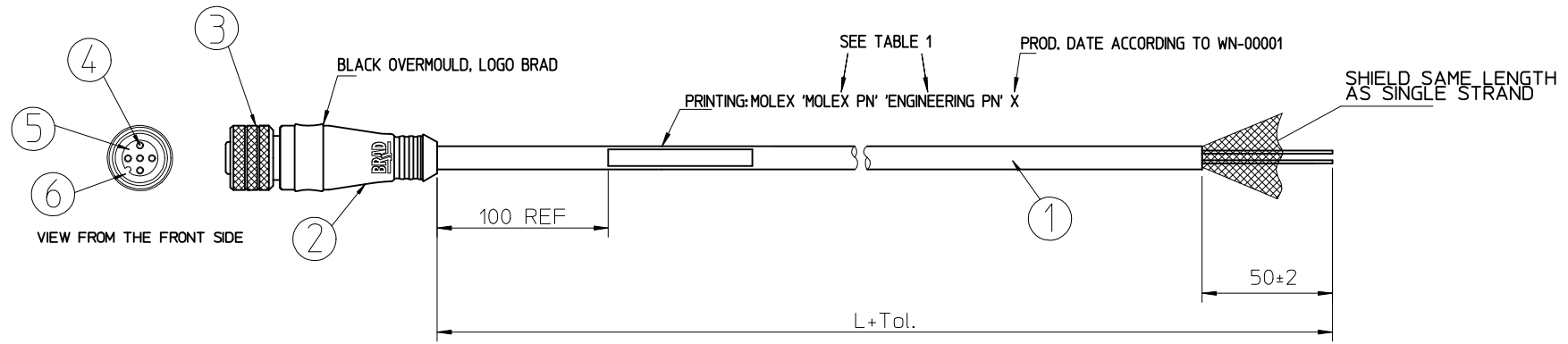
VIEW FROM THE WIRES SIDE

Pin	Wire color
1	BROWN
2	-
3	BLUE
4	BLACK

Pin	Wire color
1	BROWN
2	WHITE
3	BLUE
4	BLACK

Pin	Wire color
1	BROWN
2	WHITE
3	BLUE
4	BLACK
5	GREY

SHIELD CONNECTED TO THE COUPLING NUT



NOTES:
1. TOLERANCES : SEE SHEET 2.

Bill of Materials

ITEM	QTY.	DESCRIPTION	MATERIAL	FINISH
6	1	GASKET	FPM	RED
5	1	INSERT M12 FEMALE	SEE MATRIX	SEE MATRIX
4	-	CONTACT FEMALE	SEE MATRIX	SEE MATRIX
3	1	COUPLING NUT FEMALE M12	CuZn39Pb3	Ni2+1
2	-	MOLDING MATERIAL	TPU	BLACK
1	-	CABLE	SEE MATRIX	SEE MATRIX

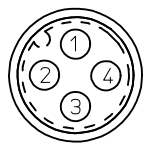
ORIGINAL RELEASE EC NO: IPG2016-0136 DRWN: AKONDRACIUK 2015/08/06 CHKD: MMAJGAT 2015/08/11 APPR: MIWASIECZKO 2015/09/08	QUALITY SYMBOLS	GENERAL TOLERANCES (UNLESS SPECIFIED)	DIMENSION STYLE	SCALE	DESIGN UNITS	THIRD ANGLE PROJECTION
	▼=0 ▽=0	mm INCH 4 PLACES ± --- ± --- 3 PLACES ± --- ± --- 2 PLACES ± --- ± --- 1 PLACE ± --- ± --- 0 PLACE ± --- ± ---	MM ONLY	---	METRIC	
	ANGULAR ± 1 ° DRAFT WHERE APPLICABLE MUST REMAIN WITHIN DIMENSIONS	DRAWN BY: AKONDRACIUK DATE: 2015/08/06 CHECKED BY: MMAJGAT DATE: 2015/08/11 APPROVED BY: MIWASIECZKO DATE: 2015/09/08	TITLE: M12 SHIELDED FEMALE STR MATERIAL NO.: SEE TABLE 1 DOCUMENT NO.: SD-120069-033	SHEET NO.: 1 OF 2		
	SIZE: A3 THIS DRAWING CONTAINS INFORMATION THAT IS PROPRIETARY TO MOLEX INCORPORATED AND SHOULD NOT BE USED WITHOUT WRITTEN PERMISSION					

WIRING DIAGRAM: M12 FEMALE

3 POLE

4 POLE

5 POLE



VIEW FROM THE WIRES SIDE

VIEW FROM THE WIRES SIDE

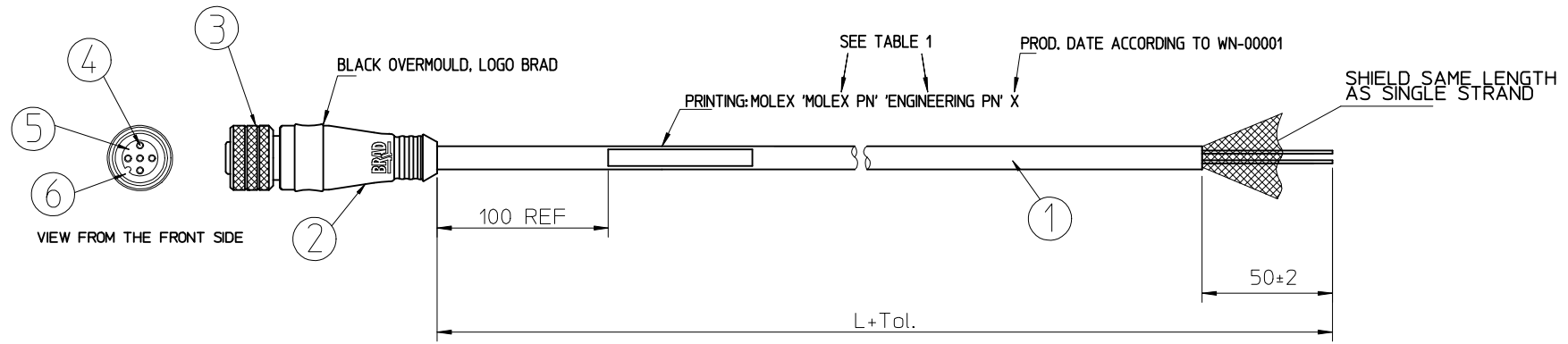
VIEW FROM THE WIRES SIDE

Pin	Wire color
1	BROWN
2	-
3	BLUE
4	BLACK

Pin	Wire color
1	BROWN
2	WHITE
3	BLUE
4	BLACK

Pin	Wire color
1	BROWN
2	WHITE
3	BLUE
4	BLACK
5	GREY

SHIELD CONNECTED TO THE COUPLING NUT



NOTES:
1. TOLERANCES : SEE SHEET 2.

Bill of Materials

ITEM	QTY.	DESCRIPTION	MATERIAL	FINISH
6	1	GASKET	FPM	RED
5	1	INSERT M12 FEMALE	SEE MATRIX	SEE MATRIX
4	-	CONTACT FEMALE	SEE MATRIX	SEE MATRIX
3	1	COUPLING NUT FEMALE M12	CuZn39Pb3	NI2+1
2	-	MOLDING MATERIAL	TPU	BLACK
1	-	CABLE	SEE MATRIX	SEE MATRIX

ORIGINAL RELEASE EC NO: IPG2016-0136 DRWN: AKONDRACIUK 2015/08/06 CHKD: MMAJGAT 2015/08/11 APPR: MIWASIECZKO 2015/09/08	QUALITY SYMBOLS	GENERAL TOLERANCES (UNLESS SPECIFIED)	DIMENSION STYLE	SCALE	DESIGN UNITS	THIRD ANGLE PROJECTION	
	▼=0 ∇=0	mm INCH 4 PLACES ± --- ± --- 3 PLACES ± --- ± --- 2 PLACES ± --- ± --- 1 PLACE ± --- ± --- 0 PLACE ± --- ± ---	MM ONLY	---	METRIC		
	DRAFT WHERE APPLICABLE MUST REMAIN WITHIN DIMENSIONS	DRAWN BY: AKONDRACIUK CHECKED BY: MMAJGAT APPROVED BY: MIWASIECZKO DATE: 2015/08/06 DATE: 2015/08/11 DATE: 2015/09/08	DRAWN BY: AKONDRACIUK CHECKED BY: MMAJGAT APPROVED BY: MIWASIECZKO DATE: 2015/08/06 DATE: 2015/08/11 DATE: 2015/09/08	TITLE	M12 SHIELDED FEMALE STR		
	MATERIAL NO. SEE TABLE 1	SIZE A3	THIS DRAWING CONTAINS INFORMATION THAT IS PROPRIETARY TO MOLEX INCORPORATED AND SHOULD NOT BE USED WITHOUT WRITTEN PERMISSION	DOCUMENT NO. SD-120069-033	SHEET NO. 1 OF 2		

10 9 8 7 6 5 4 3 2 1



OVERMOULDED M12 FAMILY SHIELDED

NUMBER OF POLES

03=3 POLES
04=4 POLES
05=5 POLES

TYPE OF CONNECTOR

1=STRAIGHT

FEMALE CONNECTOR

LENGTH

01 = 1m
02 = 2 m
05 = 5 m
15 = 15 m
20 = 20 m
90 = 15 m
91 = 0.6 m
92 = 0.3 m
93 = 2.5 m
94 = 3.5 m
95 = 7.5 m

TYPE OF CABLE

5 = PVC shielded
6 = PUR shielded

TABLE 1

MOLEX PN	ENGINEERING PN	L[mm]
1200695231	0811 031KF 05500	5000
1200695237	0811 041KF 02600	2000
1200695238	0811 041KF 05500	5000
1200695239	0811 041KF 05600	5000
1200695243	0811 041KF 06500	6000
1200695245	0811 041KF 10600	10000
1200695247	0811 041KF 11600	11000
1200695249	0811 041KF 15600	15000
1200695251	0811 041KF 30600	30000
1200695295	0811 051KF 02600	2000
1200695298	0811 051KF 05500	5000
1200695299	0811 051KF 05600	5000
1200695301	0811 051KF 10500	10000
1200695302	0811 051KF 10600	10000
1200695305	0811 051KF 15600	15000

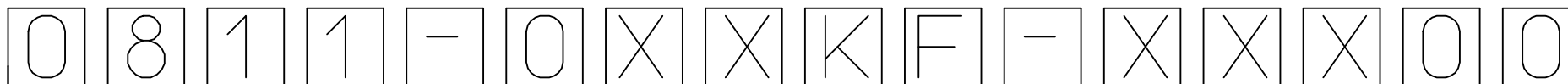
TABLE OF TOLERANCES

CABLE LENGTH IN METER	TILL	OVER - TILL	OVER - TILL	OVER	OVER	OVER
	1m	1-5m	5-10m	10m	20m	30m
MANUFACTURING TOLERANCES MM						
M8/M12 CABLE CONNECTOR MALE OR FEMALE	+20 -10	+25	+30	+30	+50	+60
M8/M12 CABLE CONNECTOR JUMPERCABLE	+20 -10	+25	+30	+30	+50	+60
M23 CABLE CONNECTOR MALE OR FEMALE			+50	+50	+50	+60
M23 CABLE CONNECTOR JUMPERCABLE			+50	+50	+50	+60

ORIGINAL RELEASE EC NO: IPG2016-0136 DRWN: AKONDRACIUK 2015/08/06 CHKD: MMAJGAT 2015/08/11 APPR: MIWASIECZKO 2015/09/08	DESCRIPTION REV	QUALITY SYMBOLS	GENERAL TOLERANCES (UNLESS SPECIFIED)	DIMENSION STYLE	SCALE	DESIGN UNITS	THIRD ANGLE PROJECTION
		▼=0 □=0	mm INCH 4 PLACES ± --- ± --- 3 PLACES ± --- ± --- 2 PLACES ± --- ± --- 1 PLACE ± --- ± --- 0 PLACE ± --- ± ---	MM ONLY	---	METRIC	☉ □ THIRD ANGLE PROJECTION
		ANGULAR ± 1 ° DRAFT WHERE APPLICABLE MUST REMAIN WITHIN DIMENSIONS	DRAWN BY: AKONDRACIUK DATE: 2015/08/06 CHECKED BY: MMAJGAT DATE: 2015/08/11 APPROVED BY: MIWASIECZKO DATE: 2015/09/08	TITLE	M12 SHIELDED FEMALE STR		
		SEE TABLE 1	MATERIAL NO. DOCUMENT NO. SHEET NO. SD-120069-033 2 OF 2				

9 8 7 6 5 4 3 2 1

10 9 8 7 6 5 4 3 2 1



OVERMOULDED M12 FAMILY SHIELDED

NUMBER OF POLES
03=3 POLES
04=4 POLES
05=5 POLES

TYPE OF CONNECTOR
1=STRAIGHT

FEMALE CONNECTOR

LENGTH
01 = 1m
02 = 2 m
05 = 5 m
15 = 15 m
20 = 20 m
90 = 15 m
91 = 0.6 m
92 = 0.3 m
93 = 2.5 m
94 = 3.5 m
95 = 7.5 m

TYPE OF CABLE
5 = PVC shielded
6 = PUR shielded

TABLE 1

MOLEX PN	ENGINEERING PN	L[mm]
1200695231	0811 031KF 05500	5000
1200695237	0811 041KF 02600	2000
1200695238	0811 041KF 05500	5000
1200695239	0811 041KF 05600	5000
1200695243	0811 041KF 06500	6000
1200695245	0811 041KF 10600	10000
1200695247	0811 041KF 11600	11000
1200695249	0811 041KF 15600	15000
1200695251	0811 041KF 30600	30000
1200695295	0811 051KF 02600	2000
1200695298	0811 051KF 05500	5000
1200695299	0811 051KF 05600	5000
1200695301	0811 051KF 10500	10000
1200695302	0811 051KF 10600	10000
1200695305	0811 051KF 15600	15000

TABLE OF TOLERANCES

CABLE LENGTH IN METER	TILL	OVER - TILL	OVER - TILL	OVER	OVER	OVER
	1m	1-5m	5-10m	10m	20m	30m
MANUFACTURING TOLERANCES MM						
M8/M12 CABLE CONNECTOR MALE OR FEMALE	+20 -10	+25	+30	+30	+50	+60
M8/M12 CABLE CONNECTOR JUMPERCABLE	+20 -10	+25	+30	+30	+50	+60
M23 CABLE CONNECTOR MALE OR FEMALE			+50	+50	+50	+60
M23 CABLE CONNECTOR JUMPERCABLE			+50	+50	+50	+60

ORIGINAL RELEASE EC NO: IPG2016-0136 DRWIN:AKONDRACIUK 2015/08/06 CHKD:MMAJGAT 2015/08/11 APPR:MIWASIECZKO 2015/09/08	DESCRIPTION REV	QUALITY SYMBOLS ▽=0 ◻=0	GENERAL TOLERANCES (UNLESS SPECIFIED)	DIMENSION STYLE MM ONLY	SCALE ---	DESIGN UNITS METRIC	THIRD ANGLE PROJECTION																																					
			<table border="1"> <tr><th></th><th>mm</th><th>INCH</th></tr> <tr><td>4 PLACES</td><td>± ---</td><td>± ---</td></tr> <tr><td>3 PLACES</td><td>± ---</td><td>± ---</td></tr> <tr><td>2 PLACES</td><td>± ---</td><td>± ---</td></tr> <tr><td>1 PLACE</td><td>± ---</td><td>± ---</td></tr> <tr><td>0 PLACE</td><td>± ---</td><td>± ---</td></tr> </table>		mm	INCH	4 PLACES	± ---	± ---	3 PLACES	± ---	± ---	2 PLACES	± ---	± ---	1 PLACE	± ---	± ---	0 PLACE	± ---	± ---	<table border="1"> <tr><th></th><th>mm</th><th>INCH</th></tr> <tr><td>4 PLACES</td><td>± ---</td><td>± ---</td></tr> <tr><td>3 PLACES</td><td>± ---</td><td>± ---</td></tr> <tr><td>2 PLACES</td><td>± ---</td><td>± ---</td></tr> <tr><td>1 PLACE</td><td>± ---</td><td>± ---</td></tr> <tr><td>0 PLACE</td><td>± ---</td><td>± ---</td></tr> </table>		mm	INCH	4 PLACES	± ---	± ---	3 PLACES	± ---	± ---	2 PLACES	± ---	± ---	1 PLACE	± ---	± ---	0 PLACE	± ---	± ---	DRAWN BY: AKONDRACIUK DATE: 2015/08/06 CHECKED BY: MMAJGAT DATE: 2015/08/11 APPROVED BY: MIWASIECZKO DATE: 2015/09/08	TITLE M12 SHIELDED FEMALE STR		
			mm	INCH																																								
		4 PLACES	± ---	± ---																																								
3 PLACES	± ---	± ---																																										
2 PLACES	± ---	± ---																																										
1 PLACE	± ---	± ---																																										
0 PLACE	± ---	± ---																																										
	mm	INCH																																										
4 PLACES	± ---	± ---																																										
3 PLACES	± ---	± ---																																										
2 PLACES	± ---	± ---																																										
1 PLACE	± ---	± ---																																										
0 PLACE	± ---	± ---																																										
	ANGULAR ± 1 °	DRAFT WHERE APPLICABLE MUST REMAIN WITHIN DIMENSIONS	MATERIAL NO. SEE TABLE 1	DOCUMENT NO. SD-120069-033	SHEET NO. 2 OF 2																																							
			SIZE A3	THIS DRAWING CONTAINS INFORMATION THAT IS PROPRIETARY TO MOLEX INCORPORATED AND SHOULD NOT BE USED WITHOUT WRITTEN PERMISSION																																								

9 8 7 6 5 4 3 2 1